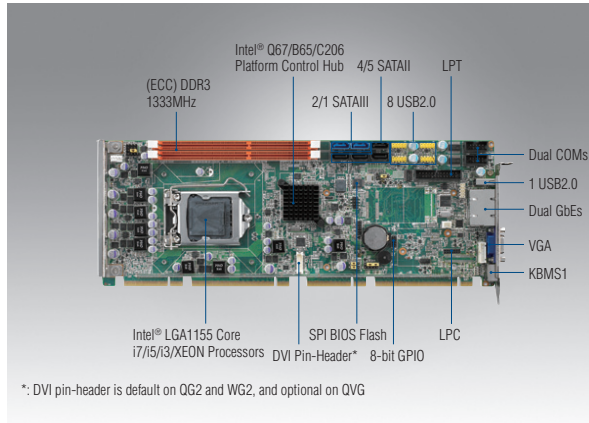


PCE-5126

LGA1155 Intel® Core i7/i5/i3 SHB with DDR3/Dual GbE/SATA III



*. DVI pin-header is default on QG2 and WG2, and optional on QVG

Features

- LGA 1155 Intel® Core™ i7/i5/i3/Xeon® processors
- Dual Channel (ECC) DDR3 1066/1333 up to 16 GB
- Supports SATA RAID 0, 1, 5, 10, AMT7.0, TPM 1.2 (optional)
- Out-of-band remote management with IPMI (optional by IPMI module)
- Supports embedded software APIs and utilities

Software APIs:



Utilities:



Quiet

CE FCC

Specifications

Processor System	CPU	Core i7 2600	Xeon E3 1275	Xeon E3 1225	Core i5 2400	Core i3 2120	Pentium G850	Celeron G540	
	Base Frequency	3.4 GHz	3.4 GHz	3.1 GHz	3.1 GHz	3.3 GHz	2.9 GHz	2.5 GHz	
	L3 Cache	8 MB	8 MB	6 MB	6 MB	3 MB	3 MB	2 MB	
	Support Model	QG2/QVG	WG2	WG2	QG2/QVG	QG2/QVG/ WG2	QG2/QVG	QG2/QVG	
	Socket	LGA1155							
	Chipset	QG2: Intel Q67; QVG: Intel B65; WG2: Intel C206							
Bus	BIOS	AMI 64 Mbit SPI Flash							
	PCI-Express	One PCIe x16 or two x8, plus four x1 to backplane (Gen 2.0) (Only WG2 version supports two PCIe x8 to support PCE-7XXX backplanes)							
	PCI	Four 32-bit 33 MHz PCI Masters to Backplane							
Memory	Technology	Dual channel (ECC) DDR3 1066/1333 (ECC is only for WG2 version)							
	Max. Cap.	16 GB (8GB per DIMM)							
	Socket	Two 240-pin DDR3 memory sockets							
Graphics	Onboard	Intel HD Graphics							
	VRAM	Shared system memory is subject to OS							
	Video Output	15 pin VGA D-sub connector x1/onboard DVI pin header x 1 (Default on QG2 and WG2, optional on QVG)							
Ethernet	Interface	10/100/1000 Mbps							
	Controller	LAN1: Intel 82579LM LAN2: Intel 82583V for QG2 version; Intel 82574L for WG2 version							
	Connector	RJ-45 with LED Connector x 2 for QG2, WG2 versions; RJ45 with LED Connector x 1 for QVG versions							
SATA	Max. Transfer Rate	600 MB/s							
	Channel	2 (Only 1 for QVG version)							
	Max. Transfer Rate	300 MB/s							
	Channel	(5 for QVG version)							
I/O Interface	RAID	0, 1, 5, 10 (Only for QG2 and WG2 version)							
	USB 2.0	WG2/QG2-Thirteen USB2.0(Pin-header*8 + USB A type*1 + 4 on backplane) QVG- Ten USB2.0(Pin-header*6 + 4 on backplane)							
	Serial	2 RS-232 with pin Headers							
	Parallel	1 (SPP/EPP/ECP)							
	PS/2	1 (for mouse and keyboard, a Y cable is included in the package)							
Watchdog Timer	Output	System reset							
	Interval	Programmable, 1~255 sec/min							
Miscellaneous	Audio	Intel High Definition audio interface (requires an audio extension module, P/N: PCA-AUDIO-HDA1E)							
Power Requirement	Test Equipment	Intel Core i7-2600 processor; DDR3 1333 2G x2							
	Voltage	+12 V	+5 V	+3.3 V	+5 Vsb	-12 V	-5 V		
	Current	6.65 A	1.62 A	1.98 A	0.73 A	0.13 A	-		
Environment	Operating	Non-Operating							
	Temperature	0 ~ 60° C* (32 ~ 140° F) (operating humidity: 40° C @ 85% RH Non-Condensing)				-40 ~ 85° C and 60° C @ 95% RH Non-Condensing			
Physical	Dimensions	338 x 122 mm (13.3" x 4.8")							

* Recommend operating temperature is 50° C for better thermal reliability

ADVANTECH Slot SBC & Passive Backplanes

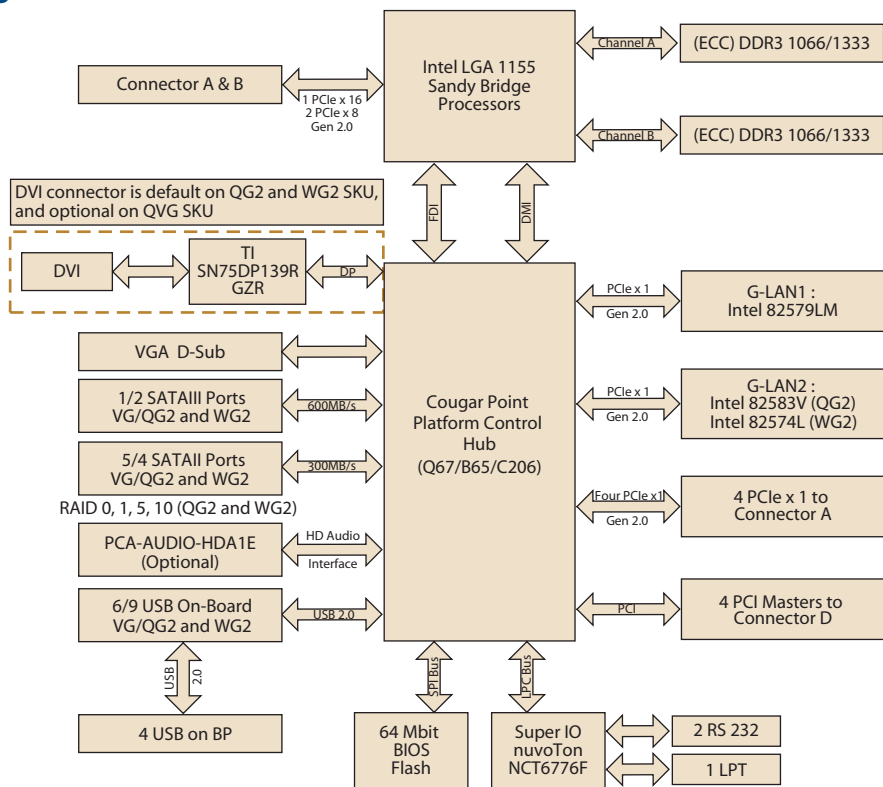
All product specifications are subject to change without notice

Last updated : 20-Jun-2012



www.ipc2u.ru www.ipc2u.de www.sovio.com Date: 02/2015 Rev.01

Block Diagram



Ordering Information

Model Name	Chipset	Memory	Backplane	LAN	Display	iAMT	SATAIII	SW RAID	IPMI Module	USB
PCE-5126QG2-00A1E	Q67	Non-ECC	PCE-5XXX	2 GbE	VGA+DVI**	Yes	2	Yes	None	13
PCE-5126QVG-00A1E	B65	Non-ECC	PCE-5XXX	1 GbE	VGA	None	1	None	None	10
PCE-5126WG2-00A1E	C206	ECC/Non-ECC	PCE-5XXX/7XXX*	2 GbE	VGA+DVI**	Yes	2	Yes	Optional	13

*: WG2 version supports all Advantech PCE-5XXX/7XXX backplanes except PCE-7B10-04A1E.

** : For DVI display, optional DVI cable (1700008822) is required

Optional Accessories

Part Number	Description
PCA-AUDIO-HDA1E	Audio extension module
PCA-TPM-00A1E	Trust platform module compliant TCG 1.2
1960047831N001	PCE-5126 Proprietary CPU Cooler (2U)
1700008822	DVI Cable

Note: Purchasing PCE-5126's proprietary CPU cooler from Advantech is a must. Other brands' CPU coolers are NOT compatible with PCE-5126.

Packing List

Part Number	Description	Quantity
1700003194	Serial ATA HDD data cable	x 2
1703150102	Serial ATA HDD power cable	x 2
1701260305	COM + printer ports cable kit	x 1
1700060202	Keyboard and mouse Y-cable	x 1
1700008461	4-port USB cable kit	x 1
9689000068	Jumper package	x 1
2190000902	Warranty Card	x 1
2002512610	Startup manual	x 1
2062512600	Utility CD	x 1

Bracket View



PCE-5126QG2-00A1E
PCE-5126WG2-00A1E



PCE-5126QVG-00A1E