

APPD 1500-1

15" IP65 Industrial 4:3 XGA LCD Flush Touch Monitor



Main Features

- IP65 compliant plastic front bezel with flush panel by 5-wire touch screen
- Triple display input interface: analog VGA/DVI-D/DisplayPort
- Shares identical appearance with APPC series
- Dual touch screen interface: RS232 and USB (optional)
- Ultra slim in depth
- Multiple mounting way for easy integration

Product Overview

15" 4:3 LCD display APPD 1500-1 is based on a 5-wire resistive touch screen. It has 400 nits brightness and can support resolutions up to 1024 x 768. APPD 1500-1 is ideal for space-critical environments where systems and displays are kept apart. In addition, APPD 1500-1 adopts a flush panel design and has IP65 front panel. APPD 1500-1 provides prevailing video interfaces: VGA, DVI and DisplayPort, supporting both digital and analog signals; touch screen can be connected with RS-232 or USB ports. Moreover, APPD 1500-1 supports 24VDC $\pm 20\%$ power input and offers panel mount and VESA mount, allowing users to choose the mounting method that meets their situation. APPD 1500-1 is the best solution for NEXCOM NISE fanless computer, NVIS security surveillance series and APPC panel PC when a second display is required.

Specifications

Panel

- LCD size: 15", 4:3
- Resolution: XGA 1024 x 768
- Luminance: 400cd/m²
- Contrast ratio: 2500
- LCD color: 16.7M
- Viewing angle: 88 (U), 88 (D), 88 (L), 88 (R)
- Backlight: LED

Touch Screen

- 5-Wire resistive (flush panel type)
- Light transmission: 81%
- Interface: USB and RS232 (optional)

Rear I/O

- Touch screen interface port: RS-232 (1 x DB9)/USB type A
- Video port: VGA (1 x DB15)/DVI-D (1 x DVI-I connector)/DisplayPort
- DC power input connector: 3-pin Phoenix terminal blocks

OSD Function

- OSD keypad

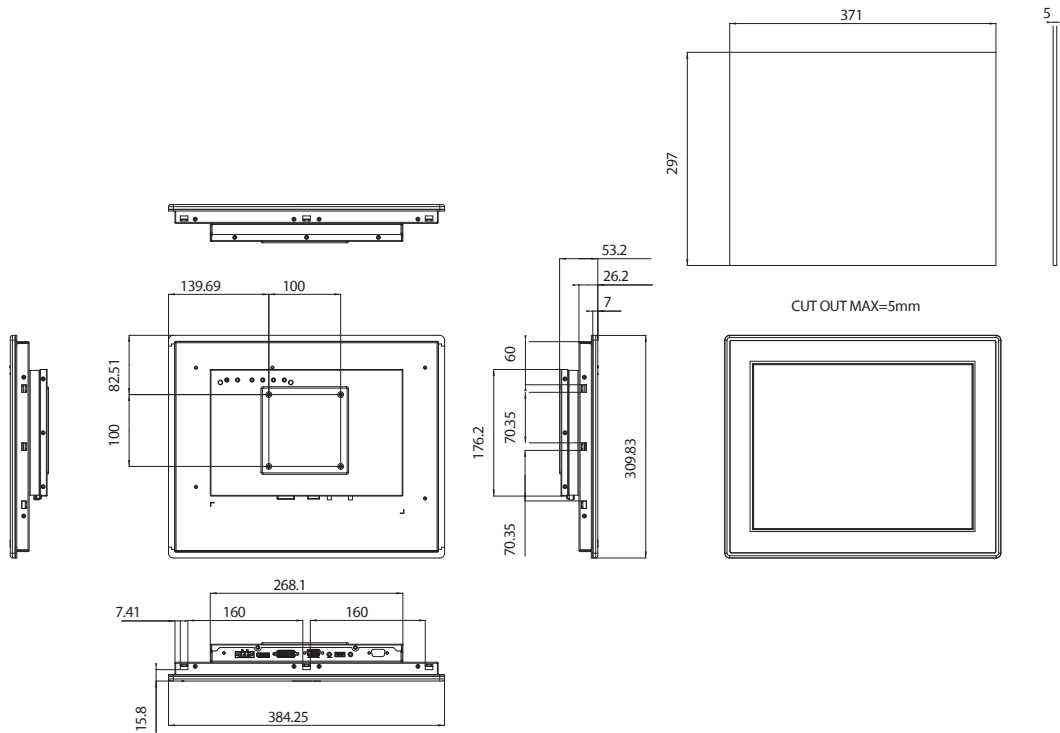
Mechanical & Environment

- Color: Pantone black and black silver chassis box
- IP protection: IP65 front
- Mounting: panel/wall/stand/VESA 100mm x 100mm
- Power
 - Power input: 24VDC $\pm 20\%$
 - Optional 24V, 60W AC/DC power adapter w/o power cord
- Vibration
 - IEC 68 2-64
 - 2Grms @ sine, 5~500Hz, 1hr/axis (operating)
 - 2.2Grms @ random condition, 5~500Hz, 0.5hr/axis (non-operating)
- Shock
 - IEC 68 2-27
 - 20G@wall mount, half sine, 11ms
 - Operating temperature: -20°C~60°C
 - Storage temperature: -20°C~75°C
- Operating humidity: 10%~90% relative humidity, non-condensing limits to be at 90% RH at max 50°C
- Dimension: 384.25 x 309.83 x 53.2mm
- Weight: 3.9 kg

Certifications

- CE approval
- FCC Class B

Dimension Drawing



Ordering Information

- **APPD 1500-1 (P/N: 10IA0150000X0)**
15" XGA industrial 4:3 LED backlight flush touch monitor with VGA, DVI-D and display port, 24VDC input, RS232 and USB touch screen interfaces

Options

- **24V, 60W AC/DC power adapter w/o power cord (P/N: 7400060054X00)**
- **1.8m DVI-D male to DVI-D male cable (P/N: 603DVI0007X00)**