

# ADX645-E0TL

## Embedded DIN-Rail Computer



### Specifications

- Intel® Core™ i3/i5/i7 11th Generation:

Intel® Core™ i3-1115GRE 2.2GHz

Intel® Core™ i7-1185GRE 1.8GHz

#### Memory

- 2x 260-pin SO-DIMM socket
- Supports up to 64GB DDR4 unbuffered, None ECC

#### Chipset

- Intel SoC Integrated

#### Graphic

- Integrated in CPU Intel® Iris Xe / UHD Graphics  
Support DirectX™ 12.1, OpenGL 4.6, OpenCL 2.0
- Video ports: 1x HDMI, 1x VGA
- VGA: resolution up to 1920x1200 @ 60Hz
- HDMI: resolution up to 4096x2304 @ 60Hz

#### Ethernet

- 1x Intel® i219-LM Gigabit Ethernet Controller
- 2x Intel® i225-IT 2.5 Gigabit Ethernet Controller

#### Storage / Drive Bays / Slots

- 1x 2.5" Drive Bay (Optional)
- 1x 2280 M.2 Key-M (PCIe x4) NVME Slot

#### RAID / SATA

- 1x SATA 3.0

#### Expansion Slots

- 1x 3042/2242 M.2 Key-B (PCIe x2 / mSATA / USB 2.0 / USB 3.0) Slot
- 1x Mini PCIe Full-size (USB 2.0 / PCIe) Slot

#### Front I/O

- 1x HDMI, 1xVGA, 3x RJ45 LAN, 4x USB 2.0
- 4x DB9 RS232/422/485, 1x 8-bit DIO (Can be used by SATA Kit)
- 1x SIM Card Slot, Line-out, Mic-in

#### Power Input

- Power input: 9-36V Power Jack connector
- Optional: External AC/DC 12V Power Adapter

#### Mechanical / Cooling

- Cooling with Fan, Metall chassis
- Optional Mounting: DIN-Rail Mounting
- Power / Reset Button in front

#### Dimensions

- Dimension (W x H x D mm): 183 x 98.9 x 141 mm
- Weight: 3.5 kg

#### System & Environment

- Operating Temperature: -20°C to 60°
- Storage Temperature: -20°C to 70°C
- Humidity: 10 ~ 95%, non-condensing

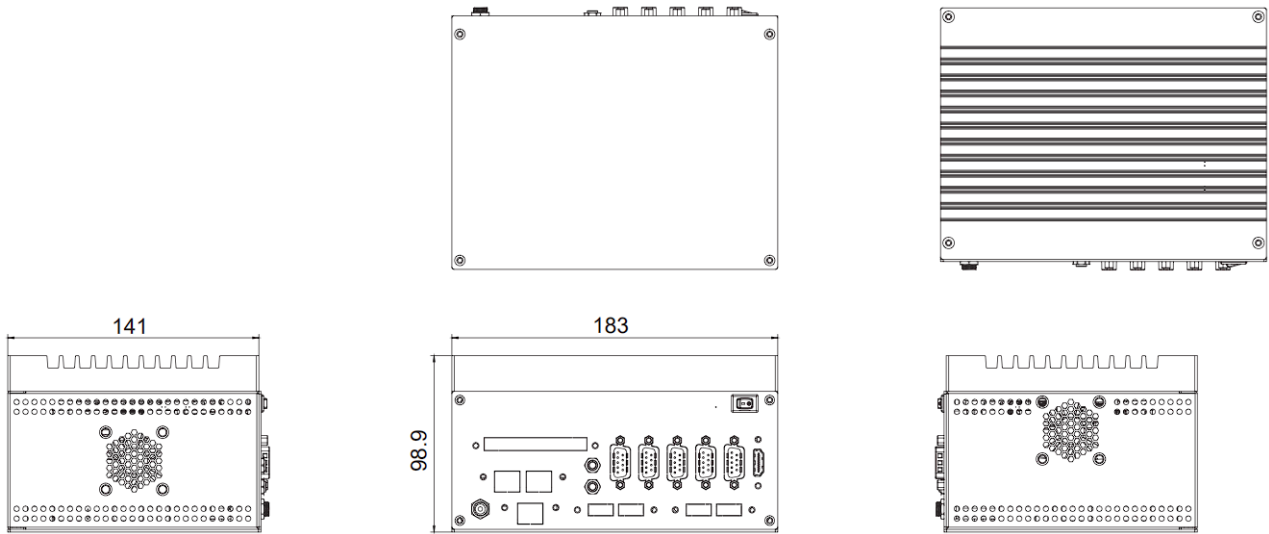
#### Certifications

- CE / FCC

#### Operating System Support

- Windows 10 IoT LTSC / Windows 11 IoT

## Dimension



### Optional Accessories

01- DIN-Rail Mounting Kit

02- 2.5" Storage Drive SATA Kit

### Ordering Information

ADX645-E0TL-i3	Embedded DIN-Rail System, Intel 11th Gen Core i3-1115GRE CPU, Up to 64GB DDR4, 3xLAN, 4xCOM, 4xUSB, 9-36VDC-in, -20..60C
ADX645-E0TL-i7	Embedded DIN-Rail System, Intel 11th Gen Core i7-1185GRE CPU, Up to 64GB DDR4, 3xLAN, 4xCOM, 4xUSB, 9-36VDC-in, -20..60C