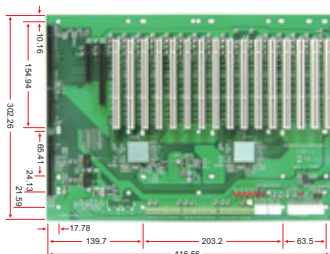




# PICMG 1.3 Backplane

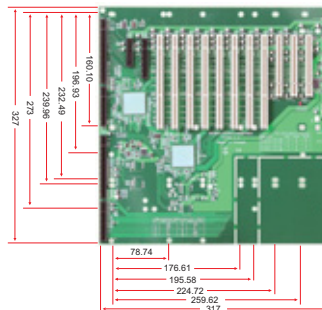
## PICMG 1.3 BACKPLANE

### Server Grade Backplane



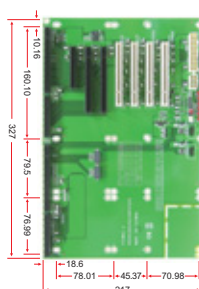
**PBPE-19AG64**  
19-slot [PCIe x16 (1, x8 signal), PCIe x8 (1, x4 signal), PCI-X (16)]

- Fit for 4U up chassis
- Four PCI-X buses support 16 PCI-X expansion slots



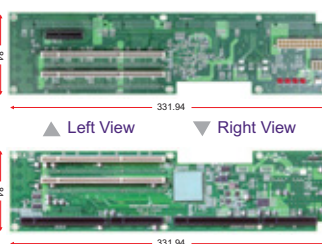
**PBPE-14AD64**  
14-slot [PCIe x8 (1,x4 signal), PCIe x8 (1), PCI-X (8), PCI (3)]

- Fit for 4U chassis
- Four PCI-X buses support eight PCI-X expansion slots



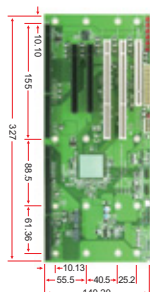
**PBPE-08P41**  
8-slot [PCIe x8 (1, x4 signal), PCIe x16 (2, x8 signal), PCI (4)]

- Fit for Node chassis
- Four USB ports



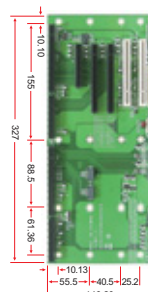
**PBPE-06V464**  
Vertical 6-slot [PCIe x4 (1), PCI-X (4)]

- Fit for 2U chassis
- Dual PCI-X buses support four PCI-X slots



**PBPE-06A364**  
6-slot [PCIe x16 (2, x8 signal), PCI-X (2), PCI (1)]

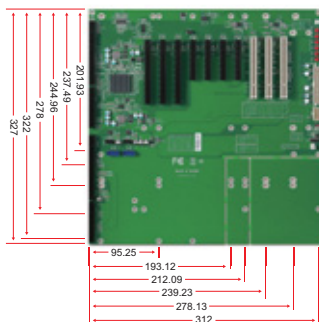
- Fit for Node chassis
- Four USB ports
- Dual SATA ports
- Two PCI-X buses support two PCI-X expansion slot



**PBPE-06P2**  
6-slot [PCIe x8 (1, x4 signal), PCIe x16 (2, x8 signal), PCI (2)]

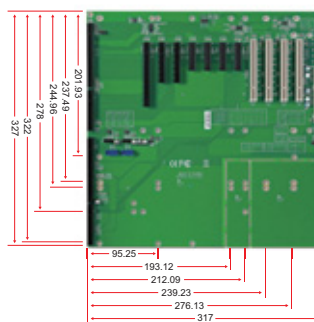
- Fit for Node chassis
- Four USB ports

### Non-Server Grade Backplane



**PBPE-11A3**  
11-Slot [PCIe x16(1), PCIe x16 (2, x8 signal), PCIe x8 (4, x1 signal), PCIe (3)]

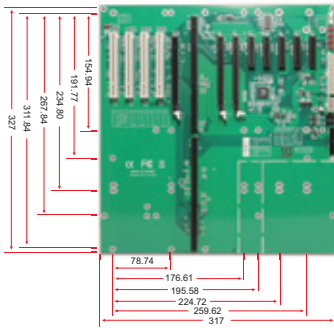
- Fit for 4U Chassis
- PCIe Gen 3 support from processor with ROBO-8112VG2AR
- Four USB ports
- Two SATA ports



**PBPE-12P4**  
12-Slot [PCIe x16 (1, x8 signal), PCIe x8 (2, x4 signal), PCIe x4 (4, x1 signal), PCI (4)]

- Fit for 4U Chassis
- PCIe Gen 3 support from processor with ROBO-8112VG2AR
- Four USB ports
- Two SATA ports

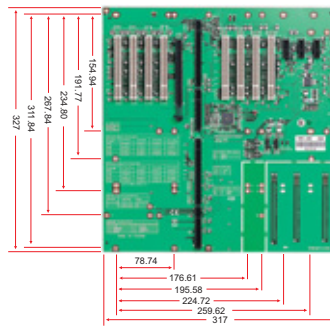
# PICMG 1.3 Backplane



## PBPE-13A4

13-slot [PCIe x16(1), PCIe x16(2, x1 signal), PCIe x4(5, x1 signal), PCI(4)]

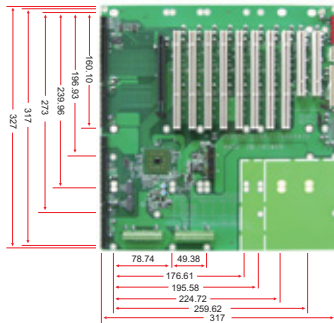
- Fit for 4U chassis
- Four USB 2.0 ports
- Dual SATA II ports



## PBPE-13A8

13-slot [PCIe x1 (3), PCIe x16 (1), PCI (8)]

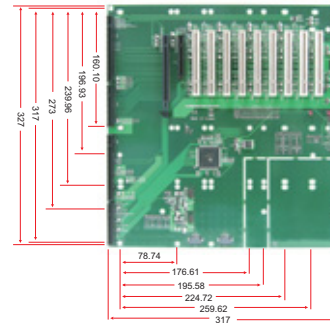
- Fit for 4U chassis
- Four USB ports
- Dual SATA ports
- 24-pin ESP12V power connector



## PBPE-12AA64

12-slot [PCI-X (8), PCIe x16 (1), PCI (2)]

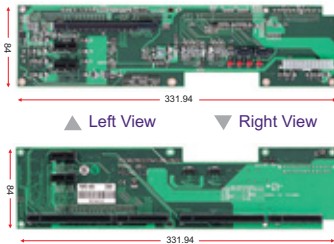
- Fit for 4U chassis
- Four USB ports
- Dual SATA ports
- Two PCI-X buses support eight PCI-X expansion slot



## PBPE-12A9

12-slot [PCIe x16 (1), PCIe x8 (1, x4 signal), PCI (9)]

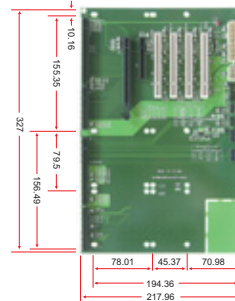
- Fit for 4U chassis
- Four USB ports
- Dual SATA ports



## PBPE-06V

Vertical 6-slot [PCIe x1 (4), PCIe x16 (1)]

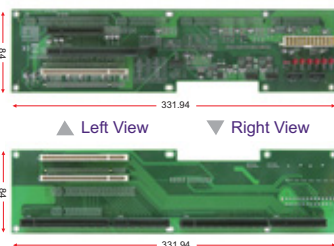
- Fit for 2U chassis
- Four USB ports
- Dual SATA ports
- 24-pin ESP 12V power connector



## PBPE-07P4

7-slot [PCIe x8 (1, x4 signal), PCIe x16 (1), PCI (4)]

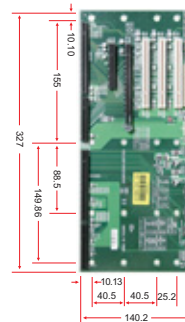
- Fit for Node chassis
- Four USB ports
- Dual SATA ports



## PBPE-06V3

Vertical 6-slot [PCIe x8 (1, x4 signal), PCIe x16 (1), PCI (3)]

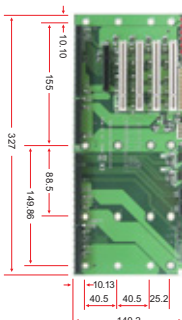
- Fit for 2U chassis
- Four USB ports
- Dual SATA ports



## PBPE-06P3

6-slot [PCIe x16 (1), PCIe x4 (1), PCI (3)]

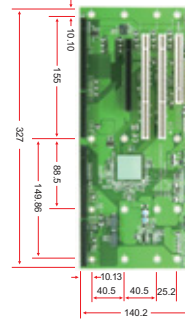
- Fit for Node chassis
- Four USB ports
- Dual SATA ports



## PBPE-06P4

6-slot [PCIe x8 (1, x4 signal), PCI (4)]

- Fit for Node chassis
- Four USB ports
- Dual SATA ports



## PBPE-05A364

5-slot [PCIe x16 (1), PCI-X (2), PCI (1)]

- Fit for Node chassis
- Four USB ports
- Dual SATA ports
- Two PCI-X buses support two PCI-X expansion slot