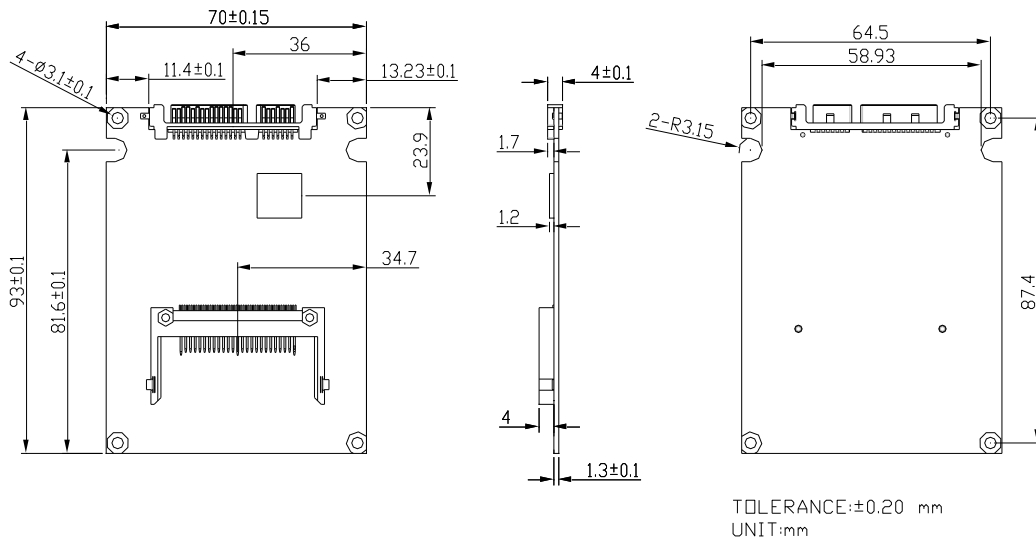


Features

- Compliance with Gen1i/Gen1m of Serial ATA II Electrical Specification 2.6
- Support ATA/ATAPI-7 specification
- ATA/ATAPI PIO Mode 0, 1, 2, 3, 4
- ATA/ATAPI Multi-Word DMA Mode 0, 1, 2
- ATA/ATAPI Ultra DMA Mode 0, 1, 2, 3, 4, 5, 6, 7
- Industrial design, manufacture in innodisk Taiwan

Mechanical Drawing



Specifications

Headquarters (Taiwan)

5F., No. 237, Sec. 1, Datong Rd.,
Xizhi Dist., New Taipei City 221,
Taiwan
Tel: +886-2-77033000
Email: sales@innodisk.com

Branch Offices:

USA

usasales@innodisk.com
+1-510-770-9421

Europe

eusales@innodisk.com
+31-40-3045-400

Japan

jpsales@innodisk.com
+81-45-594-7581

China

sales_cn@innodisk.com
+86-755-21673689

www.innodisk.com

© 2017 Innodisk Corporation.
All right reserved. Specifications
are subject to change without
prior notice.

April 6, 2017

Order information

E2S4-2101-C1
CF to SATA Module