

CVP1560P-8J6D

15.6" Industrial CuphView Panel PC with Intel Elkhart Lake CPU



Specifications

Display

- LED Size: 15.6"
- Resolution: 1366 x 768
- Brightness: 220 cd/m² (optional: 1000 cd/m²)

Touch Screen

- PCAP 10-point

CPU/SoC

- Intel® Celeron® J6412, Quad Core, up to 2.6 GHz

Memory

- 1x 260-pin SO-DIMM socket
- Supports up to 32GB DDR4 3200/2933, unbuffered, None ECC

Graphic

- Integrated in CPU Intel® UHD Graphics
- Video ports: 2x HDMI

Ethernet

- 2x Gigabit Ethernet Controller

Audio

- 1x Line-Out + Mic-in (2 in 1 Combo Jack, 3.5mm)
- Optional: 2x Internal Speakers

Storage / Drive Bays / Slots

- 1x M.2 2280 Key-M (PCIe x2 NVME / SATA) Slot
- Optional: 2.5" SSD Bracket

Expansion Slots

- 1x M.2 3052 Key-B (PCIe / USB 3.0 + USB 2.0) Slot
- 1x Mini-PCIe (PCIe + USB 2.0 / mSATA)

I/O Ports

- 2x HDMI, 2x RJ45 LAN
- 3x USB 3.0, 3x USB 2.0, 1x RS232, 1x RS232/485
- 1x Audio Jack

Other Internal Connectors

- 1x 8-bit GPIO header

Power Input

- Power input: 12V DC, Power jack connector
- Optional: 9-36V DC, Terminal Block connector

Mechanical / Cooling

- Fanless
- IP front protection: IP67
- Mounting: Wall mount VESA

Dimensions

- Dimension (W x H x D mm): 396.8 x 247.1 x 42 mm
- Cut out: 372,4 x 222,7
- Weight: 2.5 kg

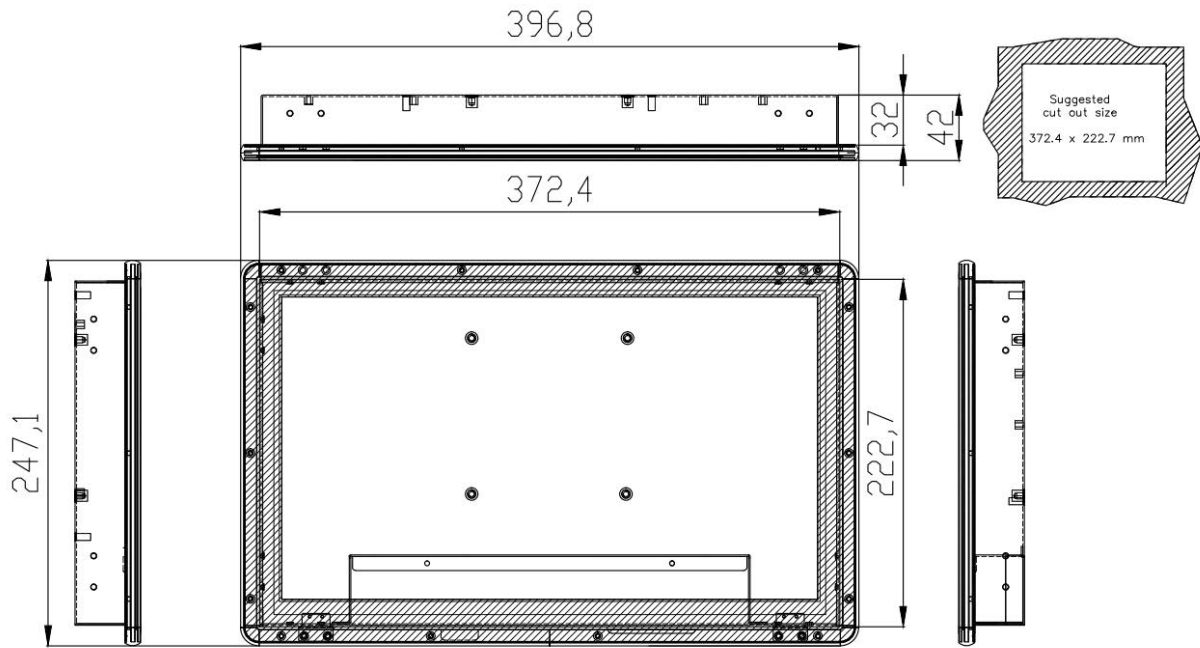
System & Environment

- Operating temperature: 0°C to 60°C
- Storage temperature: -20°C to 70°C
- Relative Humidity: 5% to 95% (Non-condensing)

Operating System Support

- Windows 10 Pro / 10 IoT LTSC / Windows 11

Dimension



Optional

- 2x Stereo Speakers pre-installed
- 1000 cd/m² Display Brightness
- 12V External power adapter
- 2.5" SSD/HDD mounting bracket
- 9-36V DC-in Terminal Block

Ordering Information

CVP1560P-8J6D

15.6" Touch Panel PC, Intel® Celeron® J6412, up to 32GB DDR4, 2xHDMI, 2xGbit LAN, 6xUSB, 1xRS232, 1xRS232/485, 12V DC-In