



Main Features

- Support 8th/9th generation Intel® Core™ i9/i7/i5/i3 LGA socket type embedded processor, up to 35W
- Intel® Q370/H310
- Intel® integrated UHD 630 graphic engine
- Support 3 independent 4K2K 60Hz display output
- Support 1 x 2.5" SATA HDD
- 3 x HDMI 2.0, 6 x USB 3.0, 2 x GbE LAN, 2 x COM, 1 x Line-out, 1 x Mic-in
- Support M.2 B/E/M Key
- Fanless design
- Support wide temperature -20~60°C

Product Overview

Powered by the 8th and 9th generation Intel® Core™ processor series and Intel® 300 Series chipset integrated graphics controller, the NDiS B560 series fanless embedded player can handle powerful multimedia content. In addition, the NDiS B560 can be operated in an extended operating temperature range between -20 to 60 Celsius degree, with three 4K2K independent display output and rich connectives including Wi-Fi and 4G, 5G support, the NDiS B560 can fully satisfy customer's expectation and therefore be used in both in-door and out-door applications such as DOOH, hospitality, brand promotion, digital menu board, outdoor bus station, and even smart stadium.

Specifications

CPU Support

- 8th and 9th Gen Intel® Core™ socket type processor up to 35W

Chipset

- Intel® PCH Q370/H310

Graphics

- Intel® UHD Graphics 630 series

Main Memory

- 2 x 260-pin SO-DIMM sockets, supports DDR4 2666 MHz non ECC, un-buffered memory up to 32G (single socket max. 16GB)

I/O Interface-Front

- 1 x Power button with LED
- 1 x Power LED, 1 x HDD LED
- 3 x HDMI 2.0
- 6 x USB 3.0
- 2 x RJ45 with LED for 10/100/1000Mbps Ethernet
 - Intel® I219-LM GbE PHY, supports IAMT
 - Intel® I210-IT LAN
- 1 x RS232/422/485 (COM1), 1 x RS232 (COM2)

Storage

- 1 x SATA 2.5" HDD/SSD
- 1 x M.2 M Key 2242, 2280 (SATA, PCIe x4)

Expansion

- 1 x M.2 B Key 3042/3052 (PCIe x2, USB), support optional 3G, 4G or 5G modules
- 1 x M.2 E Key 2230, support optional Wi-Fi modules

Power Supply

- 1 x External 96W AC/DC power adapter
- Input: 100VAC to 240VAC
- Output: DC+12VDC

Environment

- Operating temperature: -20°C to 60°C
- Storage temperature: -20°C to 80°C
- Humidity: 10 to 90% (non-condensing)

Certification

- CE Approval
- FCC Class A

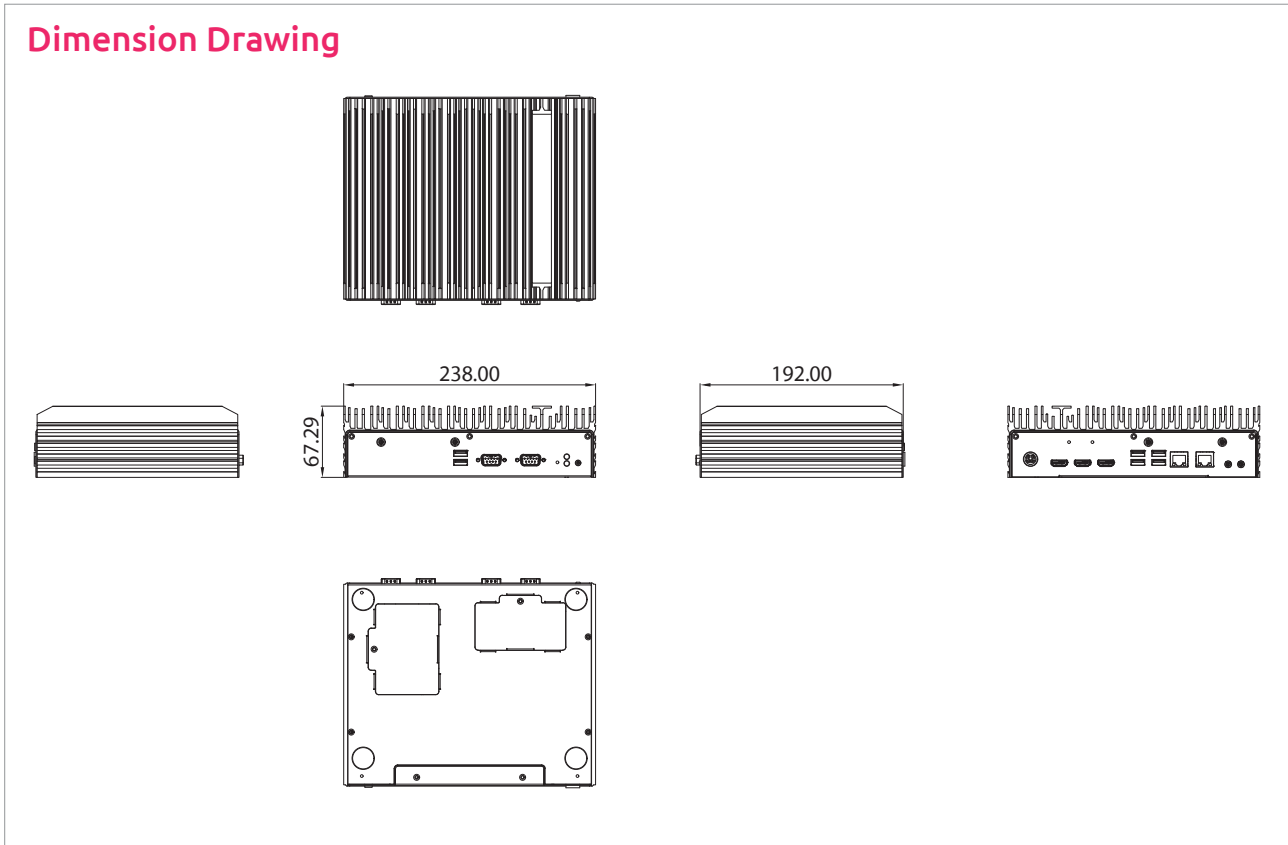
Dimensions

- 238mm (W) x 192mm (D) x 67.29mm (H)

Operating System Support

- Win10/Linux

Dimension Drawing



Ordering Information

- **NDiS B560 (P/N: TBD)**
8th/9th Generation Intel® Core™ processor slim and fanless system