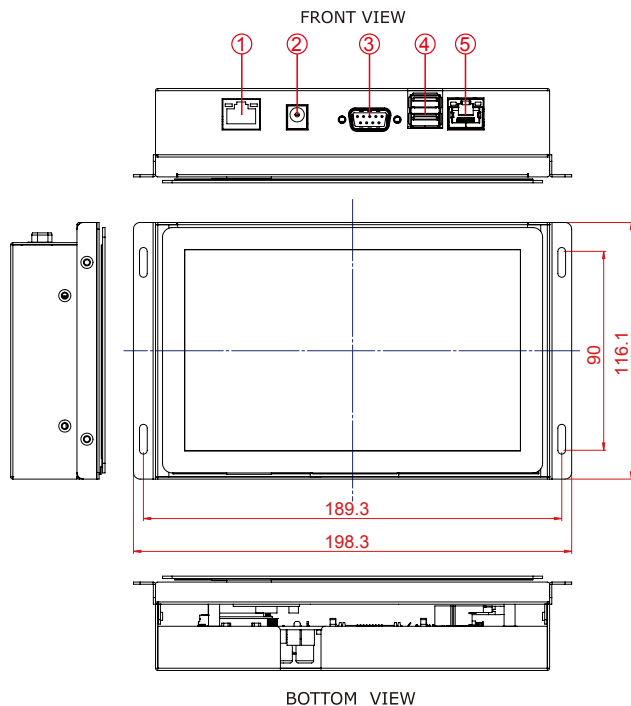


# W07IB3S-POM1 7" P-CAP Open Frame Panel PC (Intel® Celeron® Bay Trail-M N2930 1.83GHz)

## Features

- 7" 1024 x 600, 500 nits, 700:1
- Intel® Celeron® Bay Trail-M N2930 1.83 GHz
- Slim-line design in open-frame housing
- Multi Touch P-Cap flat design
- Windows 8.1/ 10 IoT system
- 12V DC IN with power jack
- Suitable for KIOSK applications



SIDE VIEW

BACK VIEW

1. RJ-45 (LAN)
2. 12V DC IN
3. RS-232
4. USB 2.0 x 1, USB 3.0 x 1
5. RJ-45 (LAN)

\* Measurements shown in mm

## Specifications

### System

- Processor : Intel® Celeron® Bay Trail-M N2930 1.83GHz
- System Chipset : Intel® ATOM SoC Integrated
- System Memory : 2GB DDR3L 1600 SODIMM
- Storage : 64GB mSATA SSD
- LAN : Dual Intel® I210AT GbE LAN

### Input / Output

- Serial Ports : 1 x RS232
- USB Ports : 1 x USB 3.0, 1 x USB 2.0
- Ethernet : 2 x RJ 45-10/100/1000 Mbps (LAN)

### Power Specifications

- Power Input : 12V DC (Power Jack)
- Power consumption : 17W

### OSBSP Driver Support

- Operating System : Windows 10 IoT Enterprise  
: Windows Embedded 8.1 Industry Pro  
: Windows Embedded Standard 8  
: Windows Embedded Standard 7

### Panel Spec

- Size/Type : 7"
- Resolutions : 1024 x 600
- Brightness : 500 cd/m<sup>2</sup>(typ.)
- Contrast Ratio : 700 : 1 (typ.)
- Viewing Angle : -75~75(H); -70~75(V)
- Max. Colors : 16.7M (8 bit)

### Mechanical Specification

- Cooling System : Fanless design
- Mounting : Open Frame Mount
- Dimension (W x H x D) : 198.3 x 116.1 x 42.7 (mm)

### Environment Considerations

- Operating Temperature : 0° C to +50° C
- Operating Humidity : 10% to 90% (non-condensing)

### Security Support

- Trusted Platform Module (TPM 1.2)

