

R17IF7T-IPM1

17" Intel® Core™ i3/i5/i7 (Coffee Lake Refresh) Front IP65 Panel PC



KEY FEATURES

- 17" 1280 x 1024 Resolution
- Intel® 9th Gen. Core™ i3/i5/i7 Processor (Coffee Lake Refresh)
- Flexible storage devices, one 2.5-inch HDD and one SSD socket
- Multiple I/Os, 2 x Serial Ports, 4 x USB 3.2 Gen. 1 Ports
- 12 V DC Power input
- DP Support 4096 x 2304 @ 60 Hz
- HDMI Support 4096 x 2304 @ 24 Hz

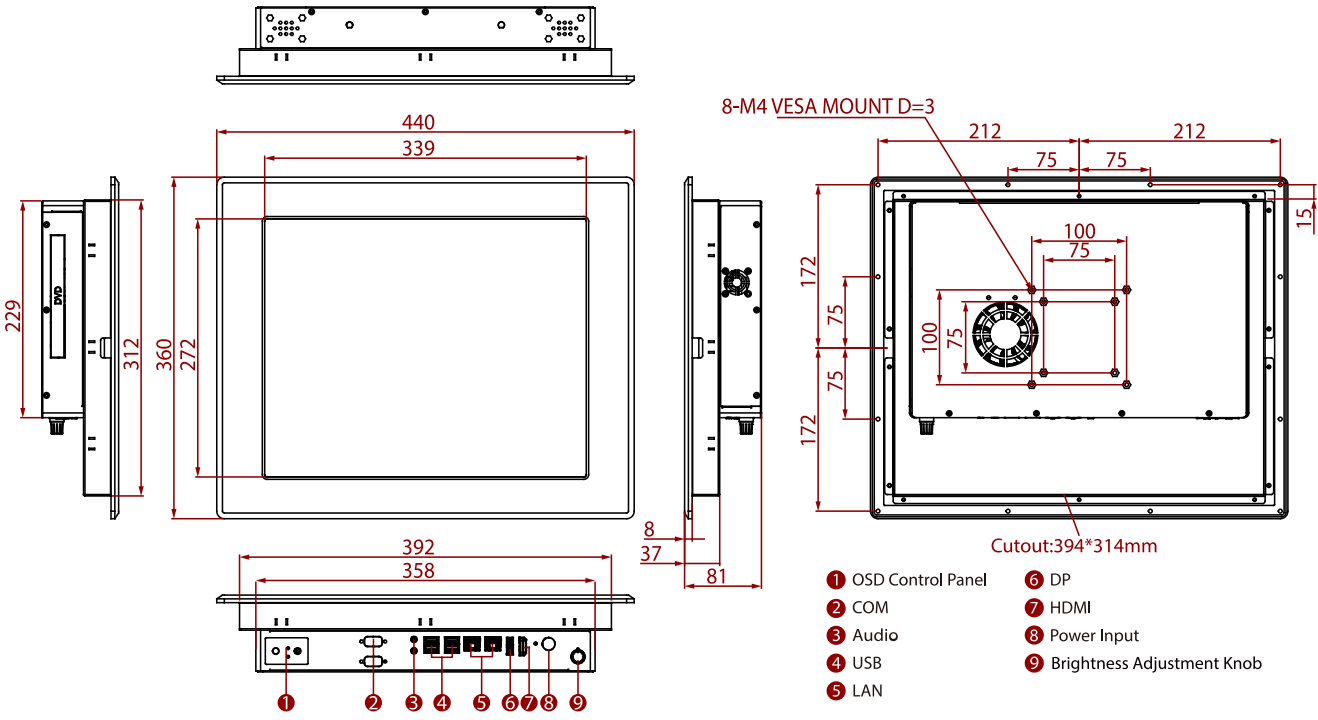


SPECIFICATIONS

Display			
Resolution	1280x1024	Size	17 inches
Contrast Ratio	1000:1	Panel Brightness	350 nits
View Angles	85,85,80,80	Active Area	337.920x270.336 mm
Touch / Glass	Resistive Touch Screen (Optional) Protection Glass Without Touch Function (Optional)		
System Specification			
Processor	Intel Core i7-9700TE 1.8GHz (up to 3.8GHz) Intel Core i5-9500TE 2.2GHz (up to 3.6GHz) (Optional) Intel Core i3-9100TE 2.2GHz (up to 3.2GHz) (Optional)	Chipset	Intel® B360(No vPRO) Intel® Q370(Support vPRO and NVMe) (Optional)
Memory	1 x SO-DIMM, DDR4 2400 MHz, 4GB 8GB (Optional) 16GB (Optional) 32GB (Optional) 2 x SO-DIMM, DDR4 2400 MHz, 4GB (Optional) 8GB (Optional) 16GB (Optional) 32GB (Optional) 64GB (Optional)	Storage	1 x M.2 2242 B-key SSD 128GB M.2 2242 B-key SSD up to 512GB (Optional) M.2 2280 M-Key NVMe SSD, up to 4TB (Optional) 2 x SATA III support RAID 0,1 (Optional)
Ethernet controller	2 x Intel® Ethernet Controller	Security	TPM 2.0
Operating System	Windows 10 IoT Enterprise (64 bit) (Optional) Linux Ubuntu 20.04 (Optional)	WLAN	Support (Optional)
BT	Support (Optional)		
Mechanical			
Dimension	440 x 360 x 81 mm	Mounting	Panel mount VESA Mount
Enclosure	Metal Housing	Cooling System	Fan design
Cut out	394 x 314mm		
Environment			
Operating Humidity	10% to 90% RH, Non-Condensing	Operating Temperature	0°C to 50°C
Storage Temperature	-10°C to 60°C	IP rating	Front IP65

Certification	
Certification	CE, FCC
IO Ports	
Power Input	1 x 12V DC, Din4 pin connector
Serial Port	1 x RS232/422/485 (Default RS232) 1 x RS232
Audio	1 x Mic in 1 x Line out 2 x Speaker
LAN	2 x Giga LAN RJ45 Connector
Brightness Knob	1 x Brightness Adjustment Knob
Control	
Button	1 x Power Button 1 x Reset Button
Accessory	
Accessory	100~240V AC to DC Adapter Power Cord VESA screws Mounting clips
Power	
Power Rating	12V DC (Lockable Power Jack)
Adapter	12V 120W

DIMENSIONS UNIT:MM



NOTE

1. Measurements shown in mm
2. Tolerance of all dimensions is shown as follow 0~30 mm ± 0.1 mm, 30~50 mm ± 0.15 mm, 50~120 mm ± 0.2 mm, above 120 mm ± 0.25 mm
3. Note: this is a simplified drawing and some components are not marked in detail. Please, contact our sales representative if you need further product information.
4. The product shown in this datasheet is a standard model. For diagrams that contain customized or optional I/O, please contact the Winmate Sales Team for more information.