

# AR-DP080V

8-Inch(4:3) Display Monitor with VGA, USB Touch Screen



## Features

- 8-Inch(4:3) Wide Screen
- LED Backlight with Low Power Consumption
- Resistive Touch Screen
- VESA75 Mounting and Stand
- DC 12~24V Power Input



## Specification

### Panel

Panel Size	8-Inch Screen (4:3)
Resolution	Supports from 640 x 480~1600 x 1024 pixels
Luminance (cd/m2)	400 nits
View Angle (H/V)	H:110 / V:50
Backlight Lifetime	20,000 hours
Touch Screen Type	4-wire resistive

### I/O

Video Interface	1 x VGA
USB	1 x USB for Touch Screen
Audio	1 x 3.5mm stereo Jack

### Power Requirement

Power Input	DC 12V
Power Consumption	10W

### Software

#### TouchKit Driver Support

Windows: Vista, 9X, Me, NT4.0, 2000, XP, CE.net, CE 2.12, CE 3.0, Embedded, Dos.  
Mac: Mac OS 9X, OS X (Intel CPU).  
Linux: Linux Readme, Mandrake, Red Hat, Fedora Core, SuSE, Debian, Ubuntu, Yellow Dog

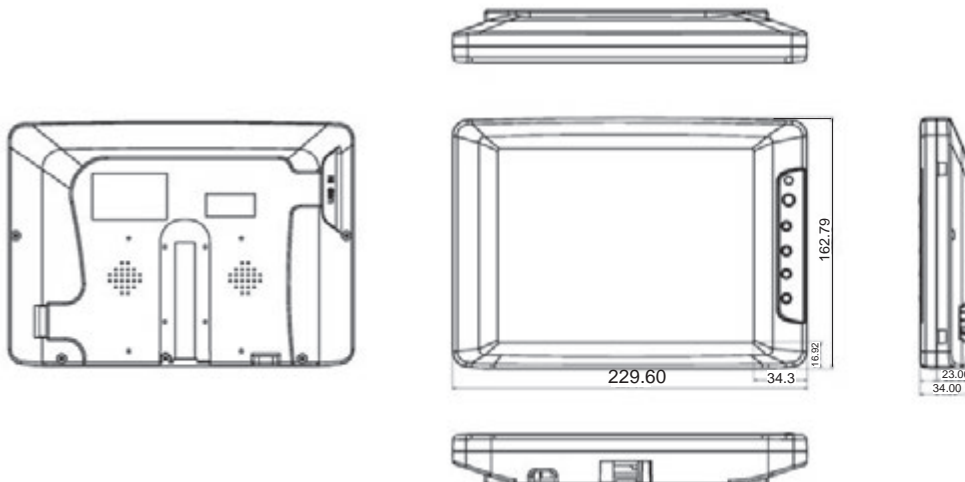
### Mechanical & Environment

Chassis Material	Plastic
Dimension (W x H x D)	229.6mm x 162.8mm x 33.9mm
Mounting	VESA 75, Metal Stand
Operating Temp.	-10~60°C
Storage temp.	-30~70°C
Safety	CE, E-Mark, FCC

### Packing List

- User Manual x 1
- Metal Stand x 1
- All-in-One Cable x 1 (VGA / USB / DC Jack / Audio)
- Remote Controller x 1
- Touch Driver CD x 1
- Touch Stylus x 1
- Car Cigarette Lighter Adapter x 1(Option)
- AC Switching Power Supply x 1

## Dimension



Specifications are subject to change without notice.