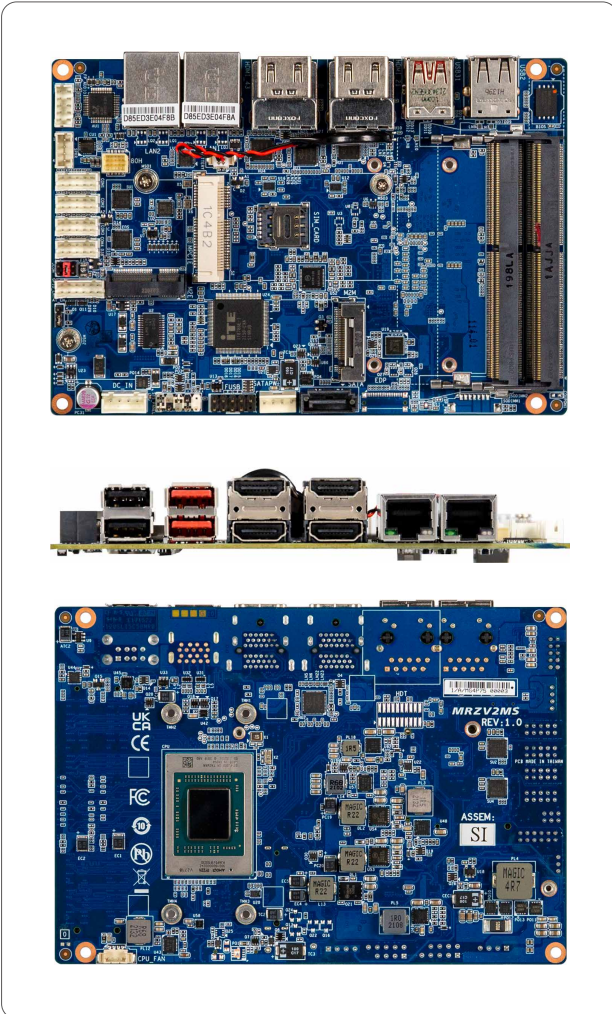


# QBIP-2718A (MRZV2MS)

3.5" SubCompact Embedded Motherboard with AMD Ryzen™ V2718 Embedded Processor, Dual Channel DDR4 memory, 4 x COM, 1 x SATA 6Gb/s, 6 x USB



## Features

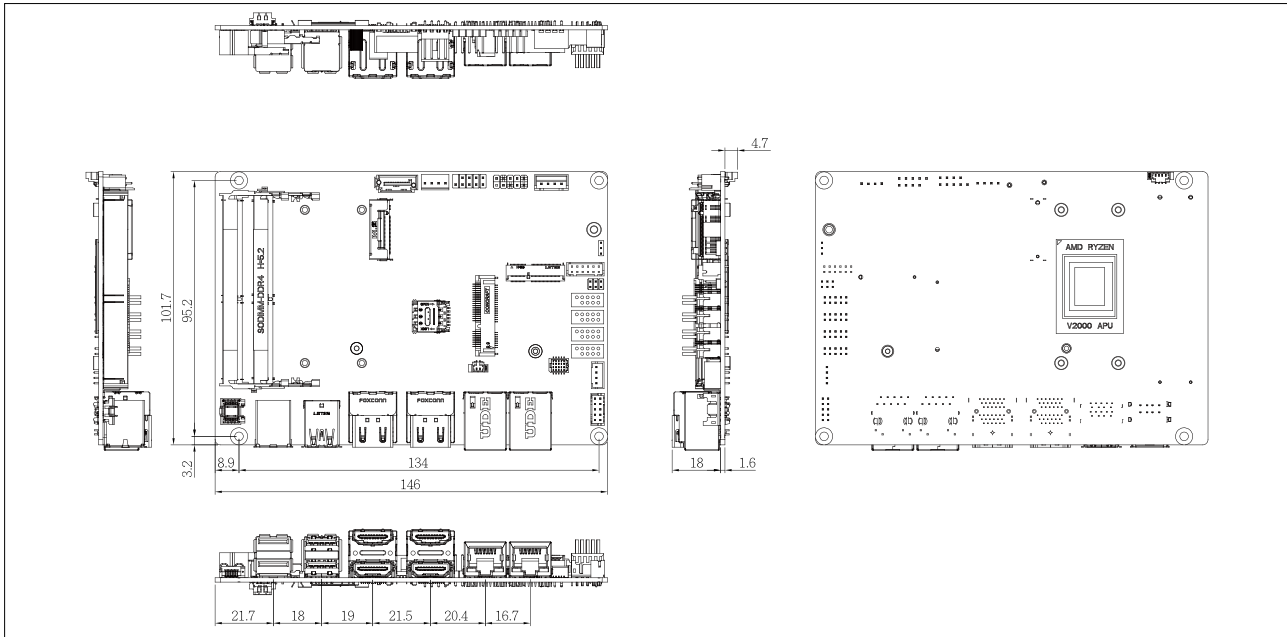
- 3.5" SBC
- AMD Ryzen™ V2718 Embedded Processor
- Dual Channel DDR4, 2 x SO-DIMMs
- 2 x GbE LAN Ports
- 1 x SATA 6Gb/s Port
- M.2 with SATA 6Gb/s or PCIe x4
- 4 x HDMI 2.1 ports for multiple display
- 3 x COM Ports (RS-232/422/485)
- 1 x COM Port (RS-232/422/485 & RI/5V/12V)

Expansion Slots	1 x 2280 M.2 M-Key (PCIe x4, SATA 6Gb/s) 1 x 2230 M.2 E-Key 1 x Full-size Mini PCIe with SIM slot (PCIe x1 + USB2.0) -- support 3G/4G module
Internal I/O	1 x 4-pin box power connector (DC in +9V~48VDC) 1 x SATA Power header 1 x CPU fan header 1 x Front panel header 1 x Front panel audio header 1 x 2W Speaker out header 2 x USB 2.0 headers 3 x COM headers (RS-232/422/485) 1 x COM header (RS-232/422/485 & RI/5V/12V) 1 x AT/ATX mode select jumper 1 x GPIO (8-bits) & SMBus header
Rear I/O	4 x HDMI 2 x RJ45 LAN Ports 2 x USB 3.2 Gen 2x1 2 x USB 2.0
TPM	1 x TPM header (LPC)
OS Compatibility	Windows 10 (x64)
Operating Properties	Operating temperature: 0°C to 60°C Operating humidity: 0-90% (non-condensing) Non-operating temperature: -40°C to +85°C Non-operating humidity: 0%-95% (non-condensing)
Packing Content	Carton size: 465 x 351 x 217 (mm) Packing Capacity: 10pcs  Single Box size: 221 x 178 x 65 (mm)  Including: SATA power Cable x 1 (P/N: 25CRI-200B02-K1R)
Order Information	9MRZV2MSMR-SI (Box Packing)

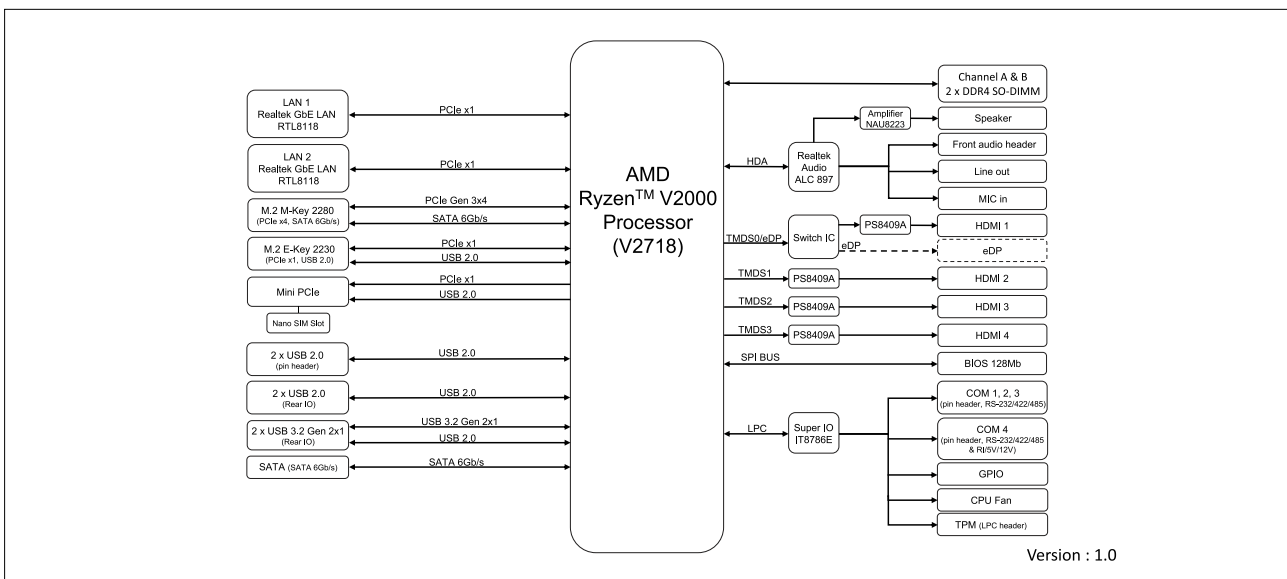
## Specifications

Form Factor	3.5" SBC 146W x 101.7D mm
CPU	AMD Ryzen™ V2718 Embedded Processor 7nm, 8 cores, 16 threads, 1.7 GHz, up to 4.15 GHz TDP 25W
Socket	1 x FP6 BGA
Memory	2 x DDR4 SO-DIMM sockets, Max. Capacity 64 GB Support Dual channel DDR4 3200 MHz memory modules
Ethernet	2 x GbE LAN Ports (Realtek® RTL8118-CG)
Video	Integrated Graphics Processor - AMD Radeon(TM) Graphics: 4 x HDMI 2.1 ports, supporting a maximum resolution of 4096x2160 @144Hz  (4 independent display outputs)
Audio	Realtek® Audio Codec
Storage	1 x SATA 6Gb/s

GIGAIPC reserves the right to modify or change technical data without prior notice.



## Block Diagram



## Optional Kit

Part No.	Description	Quantity
12SF2-01A091-00R	Fansink	1
25ST5-111500-Y0R	Heat spreader	1
9CTM000NR-00	TPM 2.0 module	1
25CRZ-100600-S9R	TPM Cable	1

GIGAIPC reserves the right to modify or change technical data without prior notice.