

PRTD-090T



FEATURES

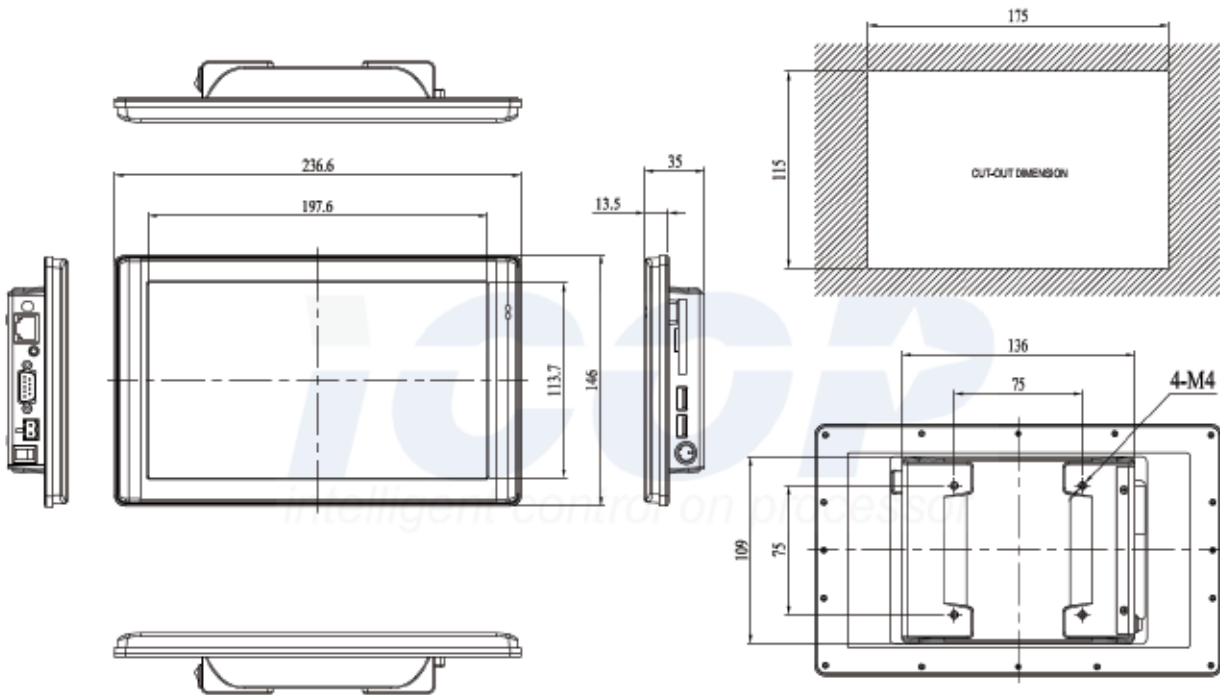
- 9" TFT LCD with Resistive Touchscreen
- RTD1195-1.2GHz Cortex-A7 ARM Dual-Core Onboard
- 1GB/ 2GB DDR3 System Memory Onboard
- Fanless and Low Power Consumption
- Metal Chassis with Compact Design
- Micro SD Slot
- 4G Flash Memory onboard (Android Pre-installed)



SPECIFICATION

LCD Display	Type	WSVGA TFT LCD
	Size	9"
	Resolution (Pixel)	1024(W) x 600(H)
	Colors	262,144
	View Angle	Vertical 120° / Horizontal 140°
	Brightness	300 cd/m2
	Backlight Life	18,000 hrs
	Contrast Ratio	500 : 1
CPU	RTD1195-1.2GHz Cortex-A7 ARM Dual-Core Processor	
Cache	512KB L2 Cache	
Memory	1GB / 2GB DDR3 Memory Onboard	
Watchdog Timer	Watchdog Timer count at a fixed 27MHz rate x 1	
Serial Port	RS-232 x 1	
USB Ports	USB 2.0 x1 , USB 3.0 x 1	
Ethernet	Integrated Gigabit Ethernet x 1	
Audio	Line-out x 1	
Internal Drives	Micro SD slot, 4G Flash Memory onboard (Android Pre-installed)	
Touch Screen Type	Analog Resistive	
Expansion Slot	None	
Power Requirement	Single Voltage +5VDC (5A)/ Multi Voltage +8~+35VDC (8A)	
Power Consumption	10W (Max.)	
Operating Temperature	0~+60°C (32~+140°F) / -20~+70°C (-4~+158°F) Optional	
Storage Temperature	-30~ +70°C (-22~+158°F)	
Operating Humidity	0% ~ 90% Relative Humidity, Non-Condensing	
Operating System	Android 4.4.4	
Dimensions	236.6x146x35mm (9.31x5.75x1.38 inches)	
Weight	755g	
Certificate	CE / FCC / VCCI / Vibration / Shock / IP65 (Front Panel)	

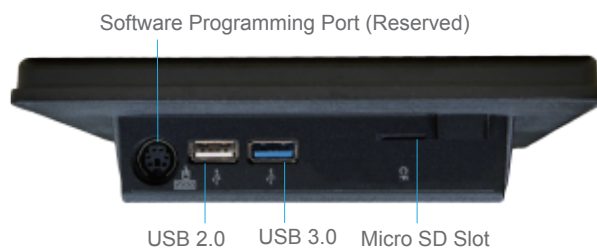
DIMENSIONS



Unit: mm

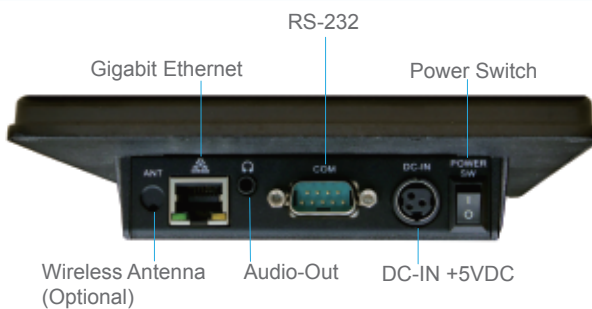
I/O Overview

PRTD-090T Series Right site



PRTD-090T Series -Left site

PRTD-090T-5A Series



PRTD-090T-8A Series

