

Datasheet

# mSATA 3ME3 series

- SATA 6.0 Gb/s interface
- iSMART disk health monitoring
- Intelligent error recovery system
- Excellent data transfer speed
- Zero mechanical interference
- Anti-vibration mechanical design
- JEDEC standard MO-300 dimension



## Introduction

Innodisk mSATA 3ME3 is designed with mSATA form factor by MO-300/MO-300B which established by JEDEC, and support SATA III standard (6.0 Gb/s) with excellent performance. Regarding of mechanical interference, Innodisk mSATA 3ME3 absolutely replaces the traditional hard disk and makes personal computer, in any field, smaller and easier.

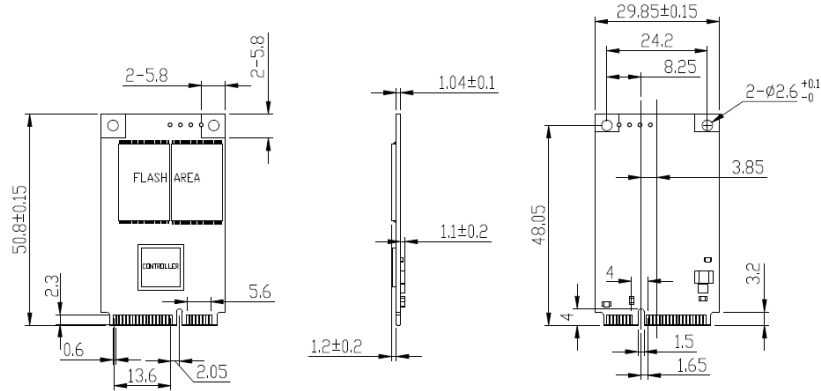
Innodisk mSATA 3ME3 effectively reduces the booting time of operation system and the power consumption is less than hard disk drive (HDD), and complies with ATA protocol, no additional drives are required, and can be configured as a boot device or data storage device.

# mSATA 3ME3 series

Contact us for more information about the mSATA 3ME3.

Innodisk is a service-driven provider of industrial embedded flash storage products and technologies, with a focus on the cloud computing, industrial/embedded, and aerospace and defense industries.

## Diagram



## Specifications

### Headquarters (Taiwan)

5F., No. 237, Sec. 1, Datong Rd., Xizhi Dist., New Taipei City 221, Taiwan (R.O.C.)  
Tel: +886-2-77033000  
Email: sales@Innodisk.com

### Branch Offices:

USA  
[usasales@Innodisk.com](mailto:usasales@Innodisk.com)  
+1-510-770-9421  
Europe  
[eusales@Innodisk.com](mailto:eusales@Innodisk.com)  
+31-(0)40-282-1818  
Japan  
[jpsales@Innodisk.com](mailto:jpsales@Innodisk.com)  
+81-3-6667-0161  
China  
[sales\\_cn@Innodisk.com](mailto:sales_cn@Innodisk.com)  
+86-755-21673689  
[www.Innodisk.com](http://www.Innodisk.com)

© 2015 Innodisk Corporation.  
All right reserved. Specifications are subject to change without prior notice.

20151130

Interface	SATA III
Flash Type	MLC
Capacity	08GB~512GB
Max. Channels	4
Sequential R/W (MB/sec, max.)	400/200
Max. Power Consumption	1.4 W (3.3V x 433.6 mA )
Thermal Sensor	ST- Optional
TRIM	√
External DRAM buffer	-
H/W Write Protect	Optional
ATA Security	√
S.M.A.R.T.	√
Dimension (WxLxH)	29.8 X 50.8 X 3.3 mm
Environment	Vibration: 20G @7~2000Hz Shock: 1500G @ 0.5ms Storage Temperature: -55°C ~ +95°C MTBF: 3 million hours

## Ordering Information

Operation Temp.	08GB	16GB	32GB	64GB	128GB	256GB	512GB
Standard Grade (0°C ~ +70°C)	DEMSR-08GD09*C2SC	DEMSR-16GD09SC2DC DEMSR-16GD09BC2SC	DEMSR-32GD09*C2DC	DEMSR-64GD09*C2DC	DEMSR-A28D09*C2DC	DEMSR-B56D08*CBQC	DEMSR-C12D08*CBQC
Industrial Grade (-40°C ~ +85°C)	DEMSR-08GD09*W2SC	DEMSR-16GD09SW2DC DEMSR-16GD09BW2SC	DEMSR-32GD09*W2DC	DEMSR-64GD09*W2DC	DEMSR-A28D09*W2DC	DEMSR-B56D08*WBQC	DEMSR-C12D08*WBQC

\* S: Toshiba A19nm MLC / B: Toshiba 15nm MLC

**innodisk**

[www.Innodisk.com](http://www.Innodisk.com)