

## 7" Wide Screen WVGA AFOLUX PPC

**AFL-07A-LX**

AMD Geode™ LX 800 500 MHz Processor

**AFL-07A-N270**

Intel® Atom™ N270 1.6GHz Processor

**AFL-W07A-N26**

Intel® Atom™ N2600 1.6GHz Processor

**9V ~ 28V Wide DC Power Input**

The compact fanless AFL-W07A-N26 model with widescreen high-brightness panel is ideal for setup in a place where space and light is limited. This makes it an ideal choice for mobile and transportation PC applications.


**16:9  
Wide Screen**
**Features**

- 7" widescreen WVGA LED backlight TFT LCD with resistive touch screen
- 9V~28V wide range DC power input (for Intel® N2600 platform)
- Compact design with plastic housing
- Fanless cooling system
- Selectable AT/ATX power mode
- System memory up to 2 GB SDRAM
- Built-in 802.11b/g/n Wireless LAN
- Built-in speakers
- One compactFlash® slot
- IP 64 compliant front panel
- IEI One Key Recovery solution allows you to create rapid OS backup and recovery (suggest with over 4GB storage capacity)

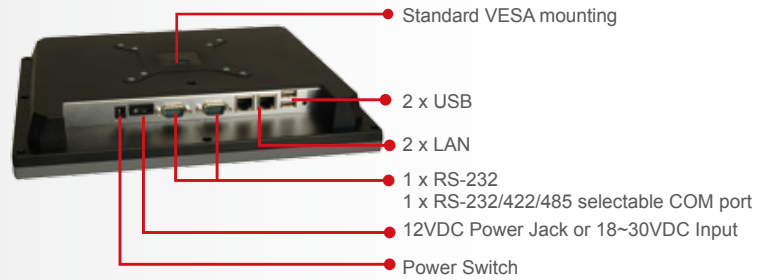
**Specifications**

Model	AFL-07A-LX	AFL-07A-N270	AFL-W07A-N26
LCD Size	7"		
Max Resolution	800 x 480		
Brightness (cd/m²)	500		
Contrast Ratio	400:1		
LCD Color	262K		
Pixel Pitch (mm)	0.0635 (H) x 0.1905 (V)		
Viewing Angle (H-V)	140° / 110°		
Backlight MTBF	50000 hrs (LED Backlight)		
SBC Model	AFLMB-LX-800	AFLMB-945GSE-N270-R10	AFLMB-CV-N2600-R10
CPU	AMD Geode™ LX 800 (500MHz)	Intel® Atom™ processor N270 1.6GHz CPU	Intel® Atom™ N2600 dual core 1.6 GHz CPU
Chipset	AMD LX800 + AMD CS5536	Intel® 945GSE + ICH7M	Intel® NM10
RAM	Supports one 333MHz or 400MHz DDR SO-DIMM (1GB Max.)	Supports one 400MHz or 533MHz DDR2 SO-DIMM (2GB Max.)	One 800 MHz 204-pin DDR3 SO-DIMM slot (max. 2G) pre-installed with 2GB
I/O Ports	1 x RS-232 COM Port 1 x RS-232/422/485 COM Port 2 x RJ-45 for 10/100Mbps LAN 2 x USB 2.0 1 x Power Switch 1 x Reset Button 1 x Power Jack 1 x Audio Jack (Line-out)	1 x RS-232 COM Port 1 x RS-232/422/485 COM Port 2 x RJ-45 for GbE 2 x USB 2.0 1 x Power Switch 1 x Reset Button 1 x Power Jack 1 x External SATA 1 x Audio Jack (Line-out)	1 x 9-28V Lockable DC Jack 1 x RJ45 for RS-232 1 x RS-232/422/485 1 x VGA 2 x GbE LAN 2 x USB 2.0 1 x Power switch 1 x Reset button 1 x AT/ATX switch 1 x Line out
Storage	CF Type II		mSATA
Watchdog Timer	Software programmable supports 1~255 sec. system reset		
Audio	AMP 1.5W + 1.5W (internal speaker)		AMP 2W + 2W (internal speaker)
Wireless Connection	1 x Wireless LAN 802.11 b/g Module (internal Mini PCI interface)	1 x Wireless LAN 802.11b/g/n Module (internal PCIe Mini card interface) Telec certified	1 x Wireless LAN 802.11b/g/n 2T2R Module (internal PCIe Mini card interface) Telec certified
Construction Front Panel	ABS + PC Plastic front frame		
LED Function	1 x LED on front panel for power on/off		
Mounting	Panel, Wall, Rack, Stand or Arm mounting VESA 75mm x 75mm		
Front Panel Color	Gray 7539U		
Dimensions (WxHxD) (mm)	226 x 140 x 41		
Operation Temperature (°C)	0~50°C	-10°C ~50°C	-10°C~50°C
Storage Temperature (°C)	-20°C ~ 60°C		
N/G Weight	0.6 Kg		
IP Level	Front Frame IP64		
Safety & EMC	CE / FCC		
Touch Screen	4-wire Resistive Type (touch controller IC is on board)		
Power Adapter	P/N: 63000-FSP036RAB608-RS 36W Power Adapter (Meet PSE) Input: 90VAC~264VAC, 50/60Hz Output: 12VDC	P/N: 63040-010036-111-RS 36W Power Adapter (Meet PSE) Input: 90VAC~264VAC, 50/60Hz Output: 12VDC	P/N: 63040-010036-121-RS 36W Power Adapter (Meet PSE) Input: 90VAC~264VAC, 50/60Hz Output: 12VDC
Power Requirement	12VDC	12VDC	9-28V DC
Power Consumption	20W	23W	23W

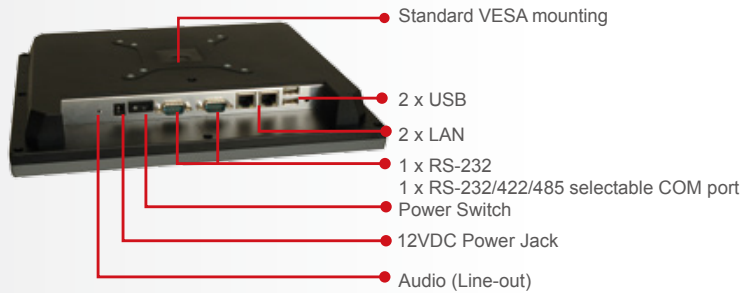
AFL-W07A-2014-V11

Fully Integrated I/O

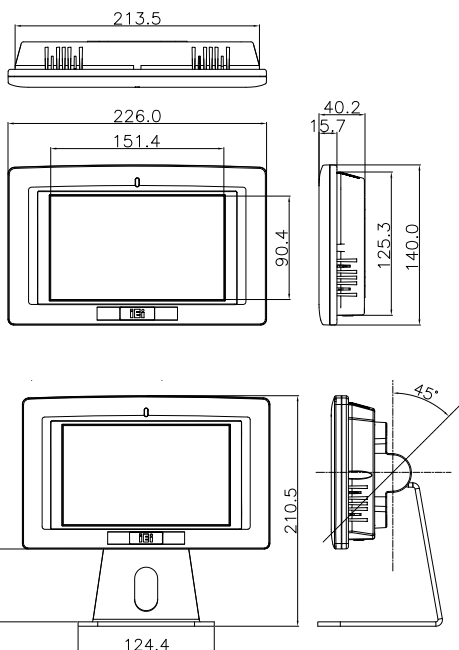
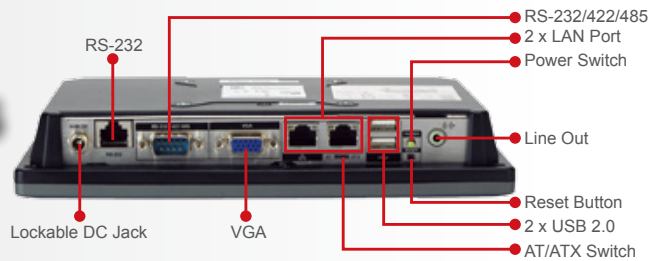
**AFL-07A-LX**



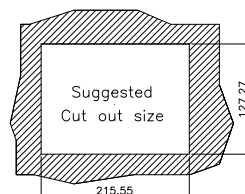
**AFL-07A-N270**



**AFL-W07A-N26**



**AFL-07A/AFL-W07A**  
Dimensions (Unit: mm)



(Optional Stand Kit)

## Ordering Information

Part Number	Description
AFL-07A-LX/R/512-R22	7" 500 cd/m <sup>2</sup> , WVGA fanless panel PC with AMD LX-800 CPU, AT/ATX mode, 802.11b/g Wireless Module, Touch screen and 512MB DDR RAM, R22
AFL-07A-N270/R/1G-R24	7" 500 cd/m <sup>2</sup> WVGA fanless panel PC with Intel® Atom™ N270 1.6GHz, 802.11b/g/n wireless module, touch screen ,1GB DDR2 533, R24
AFL-W07A-N26/R/2G-R11	7" 500cd/m <sup>2</sup> , WVGA fanless panel PC with Intel® Atom™ cedarview N2600 dual core 1.6GHz, 802.11b/g/n wireless module, touch screen, 2GB DDR3, R11

## Options

Model	AFL-07A-LX	AFL-07A-N270	AFL-W07A-N26
Panel Mounting Kit		AFLPK-12	
Wall Mounting Kit		AFLWK-12	
Rack Mounting Kit		AFLRK-07	
Arm		ARM-11-RS / ARM-31-RS	
Stand		STAND-100-RS	
VSTAND		VSTAND-A07-R11	
9~30VDC to 12VDC Converter Module		IDD-930160-KIT	
OS: Win CE 5.0 (128 MB CF card)	AFLCF-07-LX-CE-R21	--	--
OS: Win CE 6.0 (128 MB CF card)	AFLCF-07-LX-CE060-R21	AFLCF-07-N270-CE060-R24	--
OS: Win XPE (1 GB CF card)	AFLCF-07-LX-XPE-R21	AFLCF-07-N270-XPE-R24	AFL-W07-N26-XPE-R11*
OS: Win 7 Embedded (4 GB CF card or CD-ROM)	--		AFL-W07-N26-WES7E-R11*
Magnetic Stripe Reader		AFLP-08AMSR-U	
DC 12V Input UPS		AUPS-A10-R10 (7.4V 3800mAH)	
DC 9~36V Input UPS		AUPS-A20-R10 (7.4V 3800mAH)	
Bluetooth V2.0+EDR		AFL-BT-KIT02-R10	

\*OS image with CD-ROM

## ISMM Support Functions

	Voltage	Fan	Smart Fan	Temperature	WDT	Cash Drawer
AFL-07A-LX	V			V	V	
AFL-07A-N270	V			V	V	
AFL-W07A-N26	V			V	V	

## Packing List

Item	Part Number	Q'ty	Specification
Screw Pack	44013-030041-RS	4	M3;5mm
Power Adpater	63040-010036-111-RS (for AFL-07A-N270) 63040-010036-121-RS (for AFL-07A-N26)	1	90~264V AC; 12V DC; 36W (Meet PSE)
Power Cord	32000-000002-RS	1	1750mm; European Standard (EU or US, depending on the shipment country)
Utility CD	7B000-000087-RS	1	
Touch Pen	43125-0002C0-00-RS	1	
One Key Recovery CD		1	
RJ45 to RS-232 Transfer Cable	32005-000200-200-RS	1	300MM; RJ45 to D-SUB 9P transfer cable