

# LPC-P101W-10

10.1" P-cap Panel PC with  
Celeron® N3160, IP65 Front Bezel  
and Wide Range Power Input



## Features

- ▶ Celeron® N3160 Quad Core 1.6 GHz
- ▶ IP65 Front Bezel
- ▶ 10.1" P-cap Flat Bezel
- ▶ Fanless Design
- ▶ 3-Pin Power Input Terminal Block
- ▶ DC 9~36V Wide Range Power Input
- ▶ 1280\*800 High Resolution LCD
- ▶ 500 nits LED Backlight
- ▶ 1000 nits LED Backlight (Optional)



## Specification

System	
Processor	Intel® Celeron® N3160 SoC CPU
System Memory	DDR3L SO-DIMM, up to 8 GB
External I/O Port	4 x USB 3.0 2 x GbE LAN (RTL8111G) 1 x Display Port 1 x HDMI 3 x RS-232 1 x RS-232/422/485(COM1) 1 x Audio 1 x Power press button 1 x 3-Pin Power Input
Storage	1 x SATA3 (6.0Gb/s) 1 x mSATA (full size mini-PCIe)
Operating System	Windows 7 Pro, Windows Embedded Standard 7, Windows 8, Windows 10
Expansion	2 x MiniPCIe Slot

Power Requirement	
Power Type	3-Pin Power Input Terminal Block DC 9~36V Wide Range Power Input

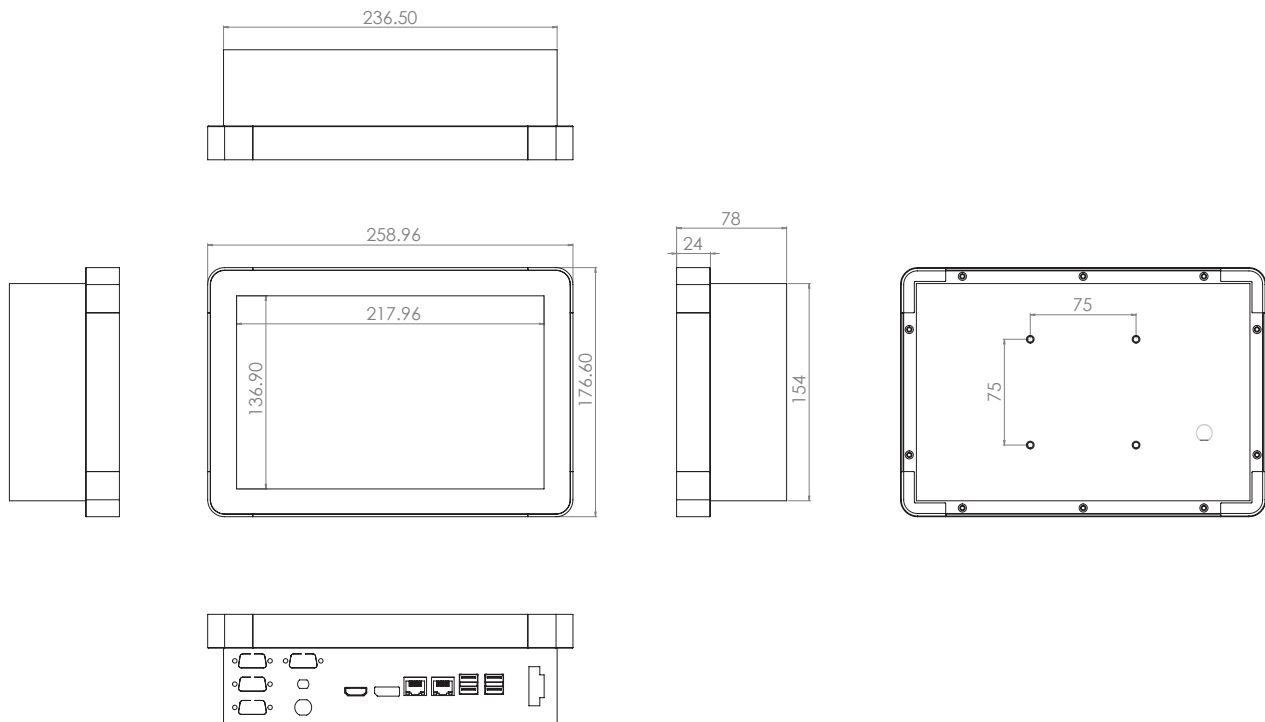
Touch Screen	
Type	10.1" P-cap USB

LCD	
Display Type	10.1" TFT LCD
Max. Resolution	1280*800
Max. Color	16.1M
Luminance	350 nits
View Angle	85/85/85/85
Backlight Lifetime	30,000 hours

Mechanical	
Construction	Metal
IP Rating	Front Panel IP65 Front Panel IP66 Compliant
Mounting	VESA / Panel Mount
Dimension	TBC

Environment	
Operating Temp	-20~60 °C IEC-60068-2-1/2/14
Storage Temp	-20~60 °C
Humidity	10~90% @40 °C, non-condensing
EMC	FCC / CE Class A Certification CE Class B Compliant
Vibration	1.5 Grms @10~500Hz, IEC-60068-2-64

## Dimension & I/O Connector



### Ordering Information

LPC-P101W-10	10.1" P-cap Panel PC, Celeron® N3160, 1024 x 768 Reso, 350 nits, DC 9~36V Power Input, including a 3-Pin Power Adapter (12V/7.5A)
WFK-024	WiFi kits w/ cable & Antenna (2.4GHz, 802.11 b/g/n, 1T1R)
WFK-524	WiFi kits w/ cable & Antenna (2.4 & 5GHz, 802.11 a/b/g/n/ac + BT, 2T2R)=
04-US-26-00002	120 W / 24V power adapter with 3 pin terminal block (For High Brightness Model)

### Ordering Code

LPC-P101W-10	-H / -OB / -G / -AG / -AR / -B / -V / -T
H = High Brightness 1000 nits LED backlight	
OB = Optical Bonding	
G = Glass without touch	
AG = Anti-Glare	
AR = Anti-Reflection	
B = Power Board for Input on board fuse / Input reverse protection / Over current protection / Output short circuit protection	
V = Vandal Proof Glass	
T = Operating Temperature -20~60°C	