



Main Features

- Serial to Ethernet
- Modbus/TCP to Modbus RTU/ASCII
- 2 Serial ports
- Supports up to 16 x Modbus/TCP masters or 32 x Modbus/TCP slaves
- 1 x 10/100Mbps Ethernet port
- Supports telnet, web and serial console configuration
- Windows configuration utility included
- Firmware upgradable by Ethernet
- 9~40VDC power jack or terminal block

Specifications

CPU/Memory

- CPU: 32-bit ARM

Network Interface

- Type: 1 x 10/100Mbps Ethernet, RJ45 connector
- Protection: 1.5KV magnetic isolation

Serial Ports

- Port 1: RS-232/422/485
- Port 2: RS-232

Serial Port Parameters

- Baud rate: 1.2~460.8Kbps
- Data bits: 5, 6, 7, 8
- Stop bits: 1, 2
- Parity: none, even, odd
- Flow control: none/hardware
- Protection: 15KV ESD

Serial Console Port

- RS-232: 115.2Kbps baud rate, no flow control, 8-bit data, 1 stop bit

Operation Mode

- Modbus gateway: Slave RTU, Slave ASCII, Master RTU, Master ASCII
- S2E gateway: TCP server, TCP client

Power Requirement

- Power input: 9~40VDC power jack or terminal block

Net Weight

- 310 g

Dimension

- 78 x 108 x 25mm (W x H x D)

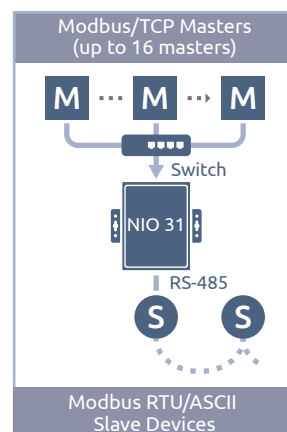
Environment

- Operating temperature: 0~60°C
- Storage temperature: -20~85°C
- Relative humidity: RH 10%~95% non-Condensing

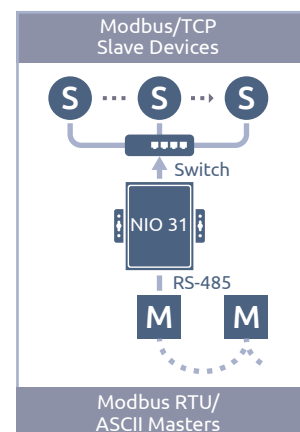
Certificate

- CE/FCC Class A (EMC/EMI)

Block Diagram

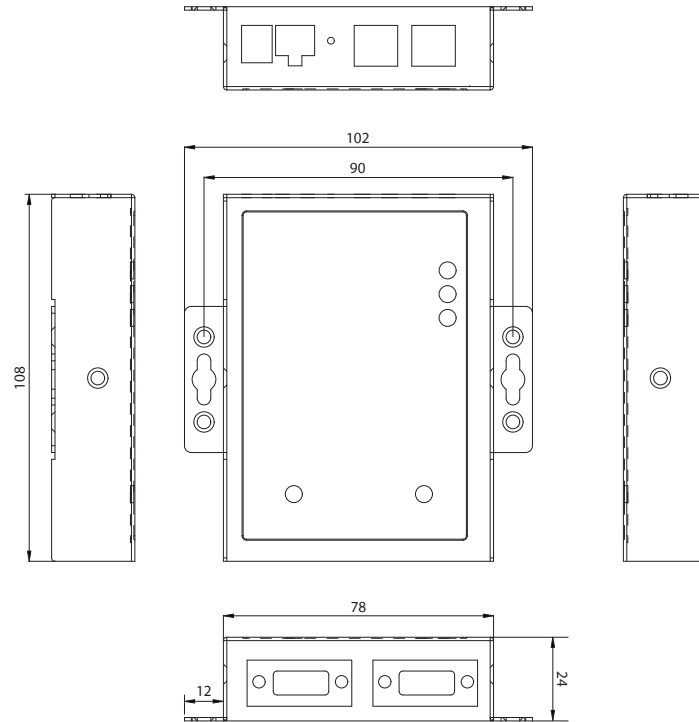


Module/TCP Masters to Modbus RTU/ASCII Slaves



Modbus RTU/ASCII Masters to Module/TCP Slaves

Dimension Drawing



Ordering Information

- **NIO 31**
Modbus gateway with 2 x serial ports, and 1 x Ethernet port
- **Power Adaptor (P/N: 7400019002X00)**
100~240VAC to 12VDC 1.6A