



I-8066



I-8066-G

8-ch SSR-DC Output Module

Features

- 8-channel DC SSR Output
- Form A DC Solid State Relay Output
- ±4 kV ESD Protection



Introduction

The I-8066 module provides 8 DC Solid State Relay (SSR) Output channels. In comparison to electromechanical relays, SSR technology provides a faster response time and greater electrical endurance. The integration of DC SSR technology also eliminates the potential for arcing, bouncing, and switching noise.

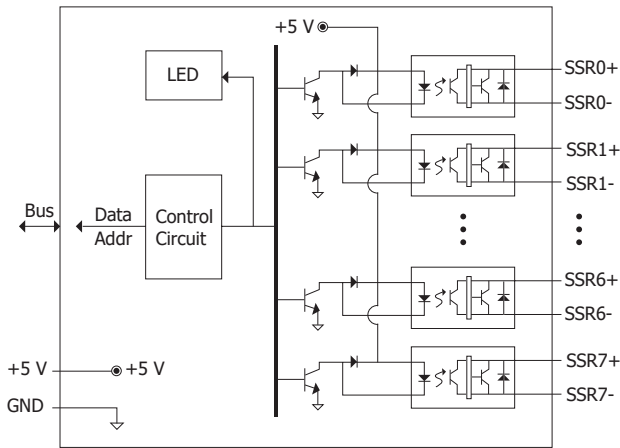
System Specifications

LED Indicators/Display	
System LED Indictors	1 LED as Power Indicator
I/O LED Indicators	8 LEDs as Power Relay Indicators
Isolation	
Intra-module Isolation, Field-to-Logic	500 Vdc
EMS Protection	
ESD (IEC 61000-4-2)	±4 kV Contact for each Terminal
Power	
Power Consumption	0.8 W max.
Mechanical	
Dimensions (W x L x H)	31 mm × 116 mm × 88 mm
Environment	
Operating Temperature	-25 ~ +75 °C
Storage Temperature	40 ~ +85 °C
Humidity	10 ~ 90% RH, Non-condensing

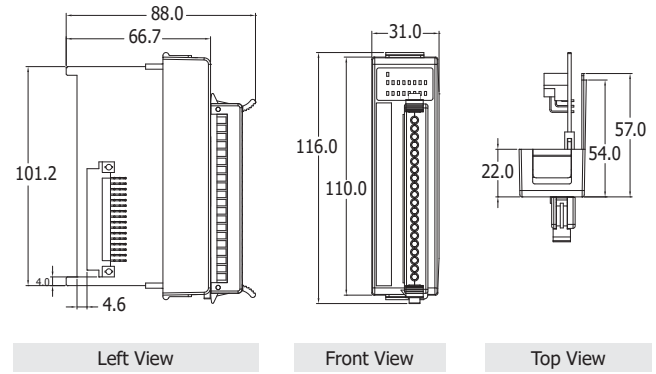
I/O Specifications

Relay Output	
Channels	8 (Form A, Normal Open)
Type	DC SSR
Operate Time	1 ms Max.
Contact Rating	1 A @ 25 °C (3 ~ 30 Vdc) 0.8 A @ 40 °C (3 ~ 30 Vdc)
Surge Strength	2500 Vrms

Internal I/O Structure



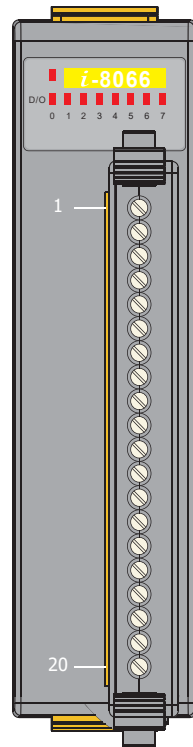
Dimensions (Units: mm)



Wire Connections

Output Type	ON State Readback as 1	OFF State Readback as 0
	Relay ON	Relay OFF
Relay Contact		

Pin Assignments



Terminal No.	Pin Assignment
01	SSR0+
02	SSR0-
03	SSR1+
04	SSR1-
05	-
06	SSR2+
07	SSR2-
08	SSR3+
09	SSR3-
10	-
11	SSR4+
12	SSR4-
13	SSR5+
14	SSR5-
15	-
16	SSR6+
17	SSR6-
18	SSR7+
19	SSR7-
20	-

Ordering Information

I-8066 CR	8-ch Form A SSR-DC Output Module (Blue Cover) (RoHS)
I-8066-G CR	8-ch Form A SSR-DC Output Module (Gray Cover) (RoHS)