

MDC-700 Series

Quick Start

V1.1, March 2018

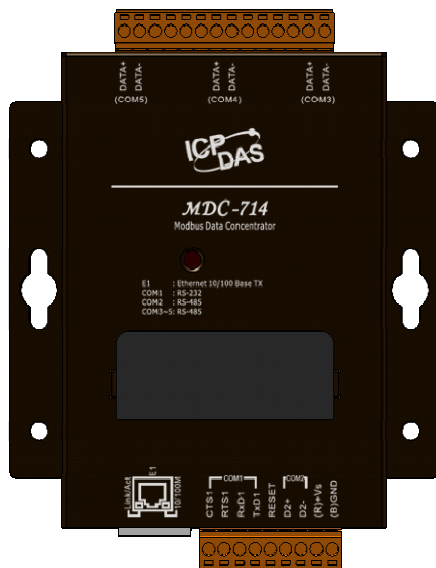
Technical Support

MDC-700 User Manual

<http://ftp.icpdas.com/pub/cd/8000cd/napdos/modbus/mdc700/document/>

What's in the Box?

The package includes the following items:



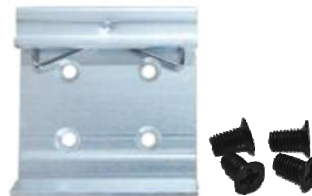
MDC-700 Module



RS-232 Cable
(CA-0910)



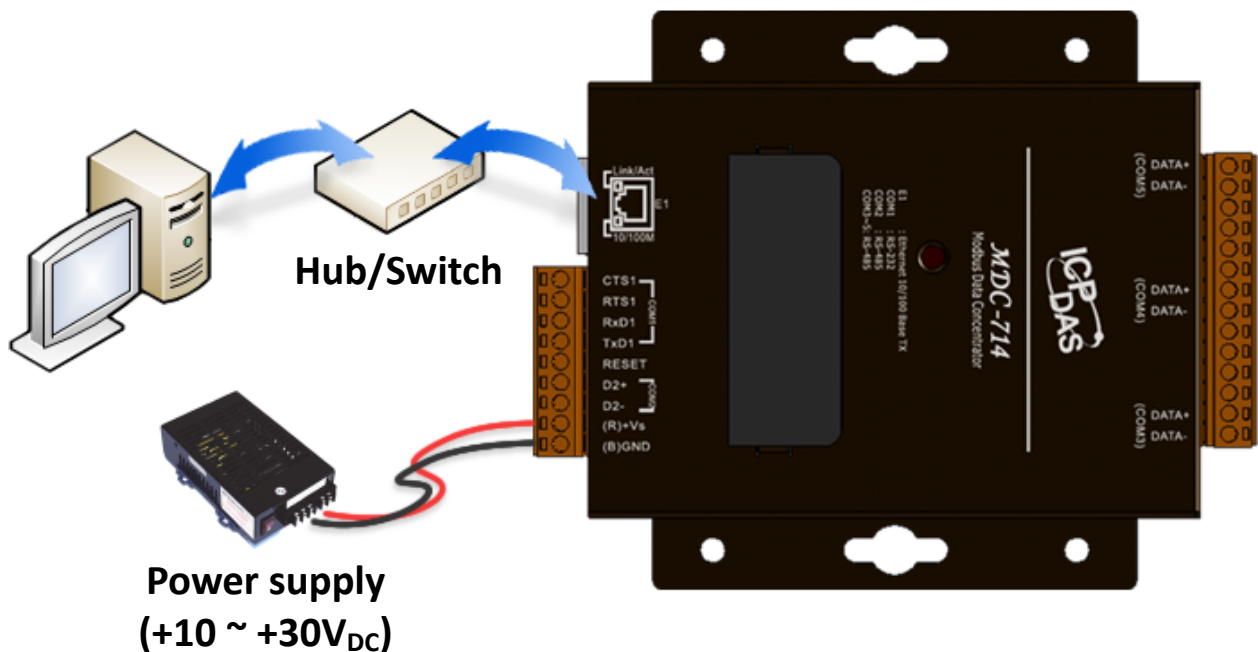
Screw Driver
(1C016) 2.4 mm



DIN-Rail Mounting Kit
(Clip x 1, Screw x 4)

1 Connecting to PC, Network and Power

The module is equipped with a standard Ethernet port (RJ-45) for connecting to an Ethernet Hub/Switch and PC. Moreover, you can also connect the PC directly with an Ethernet cable.



2 Assigning an IP address to MDC-700

The MDC-700 is an Ethernet device, which comes with a default IP address of **192.168.255.1**. You need first assign a valid IP address of your network to the MDC-700 for accessing the module and using the built-in web-based interface.

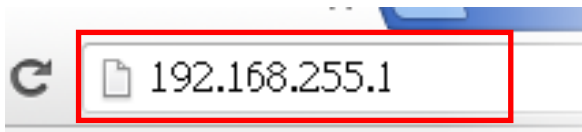
STEP 1: Power on the computer and the MDC-700.

STEP 2: Set the IP configuration on your computer.

If the MDC-700 is new, with the default IP address of 192.168.255.1, you must chose an IP address for the computer in the range of 192.168.255.2 – 192.168.255.253 that is not already in use.

NOTE: Details on how to change the IP address on your computer depend upon the type architecture and operating system you are using. Use the computer Help and Support functionality to search for “IP Addressing”.

STEP 3: Open a web browser and go to the website at <http://192.168.255.1>, where 192.168.255.1 is the IP address in your MDC module.



STEP 4: Confirm that the connection is successful on the page.

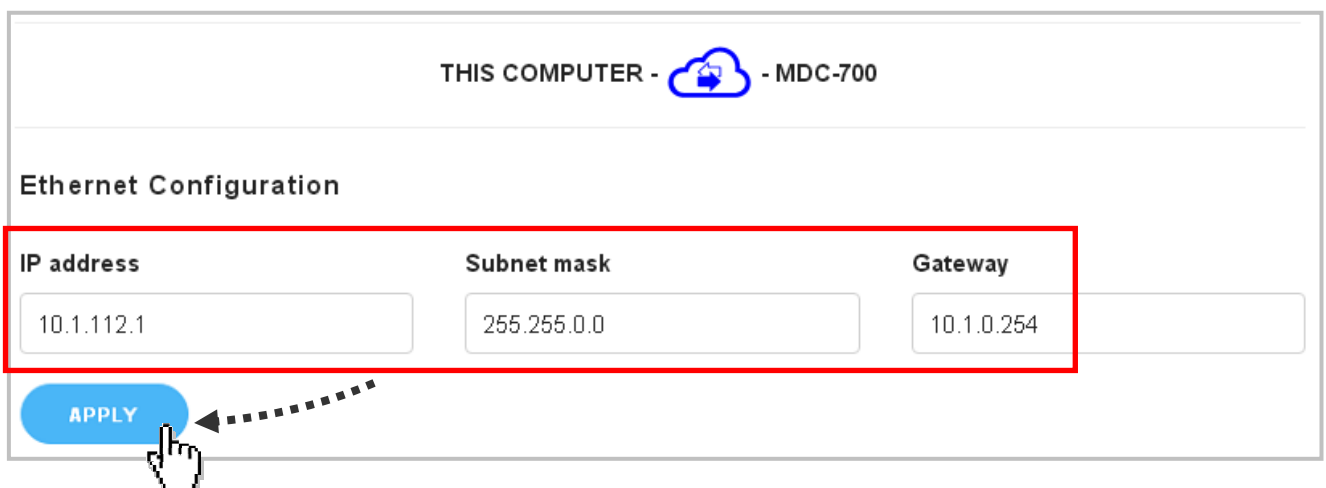



The connection to the MDC-700 is established.



The connection to the MDC-700 is not established.

STEP 5: Choose a valid IP address of the network for your MDC-700. Scroll down to ‘Ethernet Configuration’ section, input the IP/Subnet mask and Gateway addresses and click on the “Apply” button. Make sure that the IP address you pick is not currently in use by another device on the network.



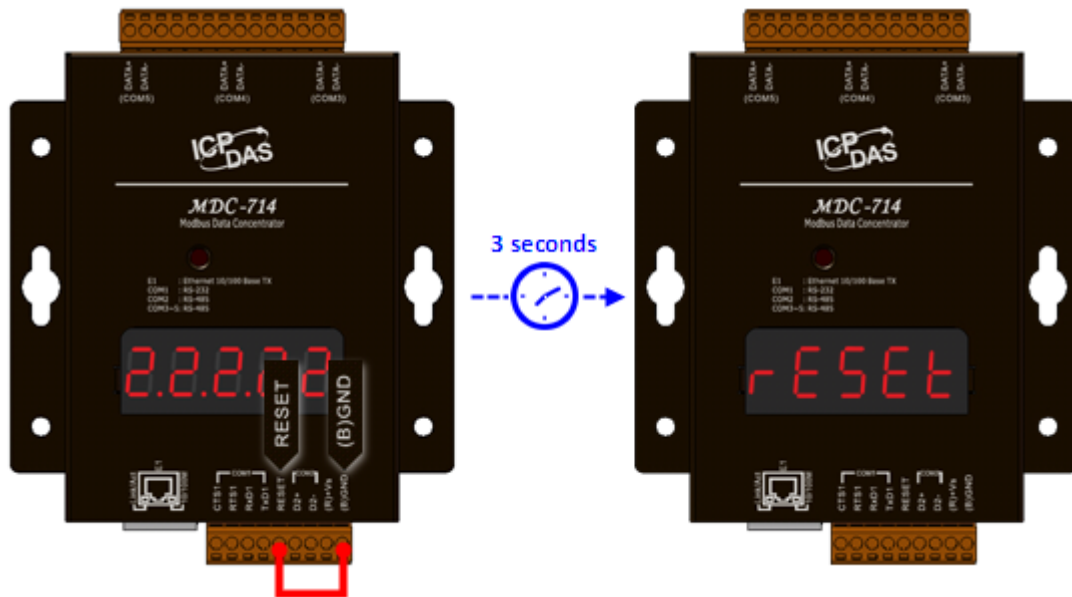
THIS COMPUTER -  - MDC-700

Ethernet Configuration

IP address	Subnet mask	Gateway
10.1.112.1	255.255.0.0	10.1.0.254

APPLY

NOTE: The MDC-700 can be reset to factory defaults by shorting the RESET pin to GND pin over 3 seconds. The LED display will show “RESET” as below and the IP address set previously will be removed.



STEP 6: Restore the IP address for your computer.

3 Go to the Web Site

Go to the web interface at <http://xxx.xxx.xxx.xxx>, where xxx.xxx.xxx.xxx is the IP address for your MDC-700.

