

HB368F21 Series

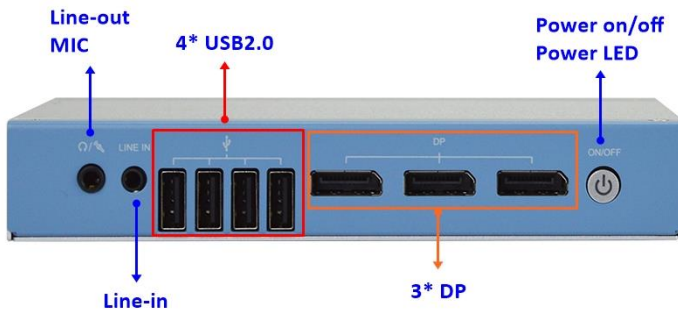
Intel® Elkhart Lake SoC Processor, DDR4 3200MHz up to 32GB

Features

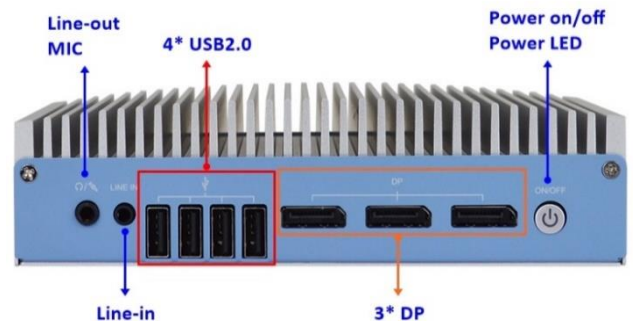
1. Intel Elkhart Lake SoC Processor
2. 1* DDR4 3200MHz SO-DIMM up to 32GB
3. 2* USB3.1 (Gen.2), 4* USB2.0, 2* RJ45, 1* Audio (MIC + Line-out), 1* Line-IN, 3* DP, 2*COM, 1* GPIO
4. Support TPM2.0 (option)
5. BB Dimensions:
 HB368F21-6210-S (160.2*106*27 mm)
 HB368F21-6210-I (160.2*106*27 mm)
 HB368F21-6412-I (160.2*106*27 mm)
 HB368F21-6412-W (160.2*106*43.5 mm)
6. DC12V_40W/60W Adapter (BY Model)



Front I/O : HB368F21-XXXX-S/I



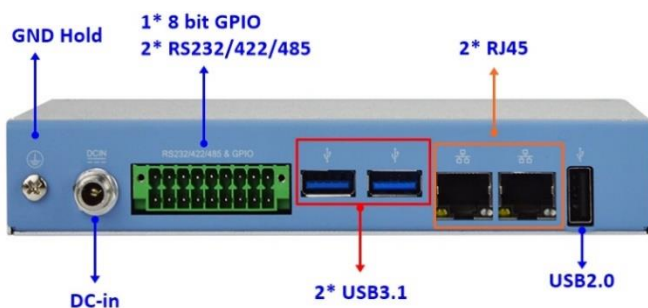
HB368F21-XXXX-S/I/W



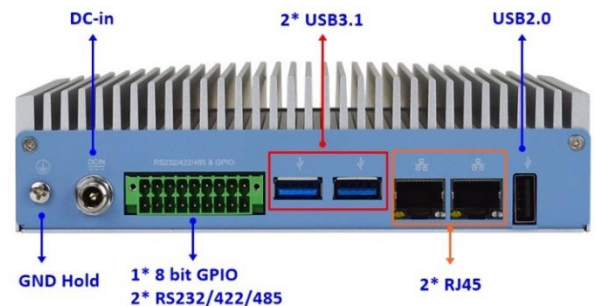
Rear I/O : HB368F21-XXXX-S



Rear I/O : HB368F21-XXXX-I



HB368F21-XXXX-W

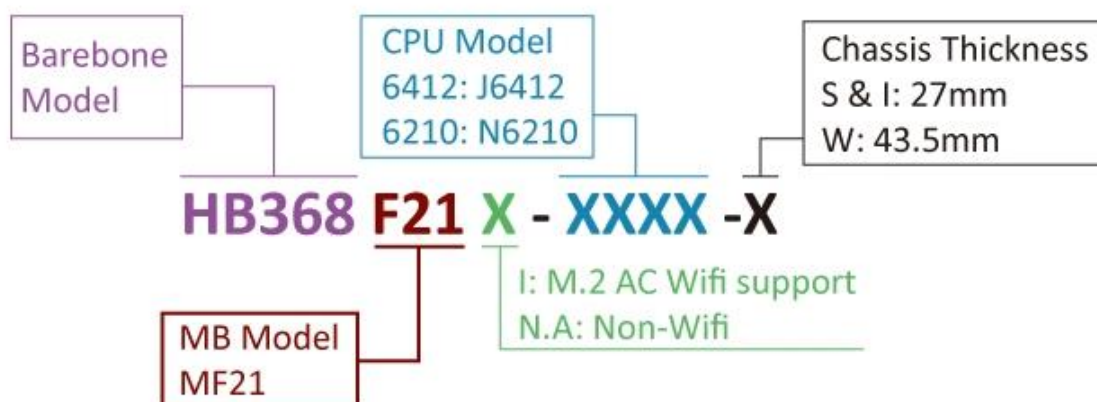


Specifications

Model	<ul style="list-style-type: none"> • HB368F21-6210-S (non-WiFi) & HB368F21I-6210-S (WiFi) • HB368F21-6210-I (non-WiFi) & HB368F21I-6210-I (WiFi) • HB368F21-6412-I (non-WiFi) & HB368F21I-6412-I (WiFi) • HB368F21-6412-W (non-WiFi) & HB368F21I-6412-W (WiFi)
CPU / Chipset	<ul style="list-style-type: none"> • Intel® Elkhart Lake SoC Processor (N6210 , TDP 6.5W & J6412 , TDP 10W)
BIOS	<ul style="list-style-type: none"> • AMI Flash ROM
Memory	<ul style="list-style-type: none"> • 1* DDR4 3200MHz SO-DIMM up to 32GB
Network	<ul style="list-style-type: none"> • 2* Realtek RTL8119I GbE
Graphics	<ul style="list-style-type: none"> • Intel® HD Graphics, shared memory • 3* DP (Max Resolution: 4096x2160@60Hz) , Support Triple Displays
Storage	<ul style="list-style-type: none"> • 1* M.2 M-key (2242/2280, PCIe Gen.3 x2/SATA interface) support NVME • 32GB eMMC onboard (option)
Expansion	<ul style="list-style-type: none"> • 1* M.2 E-key (2230, PCIe Gen.3 x1/USB2.0 interface) • 1* M.2 B-key (3042,USB3.0 interface)
Rear Panel I/O	<ul style="list-style-type: none"> • 2* RJ45 • 2* USB3.1(Gen.2),1* USB2.0 (HB368F21-6210-I / HB368F21-6412-I / HB368F21-6412-W only) • 1* 8 bit GPIO (Phoenix Connector 2*9 PIN) (HB368F21-6210-I / HB368F21-6412-I / HB368F21-6412-W only) • 2* RS232/422/485 (Phoenix Connector 2*9 PIN) (HB368F21-6210-I / HB368F21-6412-I / HB368F21-6412-W only) • 1* DC in (Lockable)
Front Panel I/O	<ul style="list-style-type: none"> • 1* Power button + Power LED • 4* USB2.0 • 1* Audio(Line out+MIC) • 1* Line in • 3* DP
Internal Connector	<ul style="list-style-type: none"> • SIM Card Holder
Power Source	<ul style="list-style-type: none"> • Adapter : AC 90~240V input / DC12V_40W output • Adapter : AC 90~240V input / DC12V_60W output (HB368F21-6412-W only) • MB : DC12~36V input
Compliance	<ul style="list-style-type: none"> • CE, FCC, LVD, RoHS, ErP Ready
Dimensions	<ul style="list-style-type: none"> • HB368F21-6210-S System: 160.2 (W) x 106 (D) x 27 (H) mm Net Weight: 0.61KG: Gross Weight: 1.12KG • HB368F21-6210-I / HB368F21-6412-I System: 160.2 (W) x 106 (D) x 27 (H) mm Net Weight: 0.61KG: Gross Weight: 1.12KG • HB368F21-6412-W System: 160.2 (W) x 106 (D) x 43.5(H) mm Net Weight: 1.01KG: Gross Weight: 1.52KG
Temperature	<ul style="list-style-type: none"> • HB368F21-6210-S : Operating Temperature: -20 ~ 60° C • HB368F21-6210-I : Operating Temperature: -20 ~ 60° C • HB368F21-6412-I : Operating Temperature: -20 ~ 50° C • HB368F21-6412-W : Operating Temperature: -20 ~ 70° C (Under the condition of using M.2 interface SSD) • Storage Temperature: -40 ~ 85° C • Humidity: 10% ~ 95% RH @40°C (non-condensing)
OS Support	<ul style="list-style-type: none"> • Windows 11, Linux
Warranty	<ul style="list-style-type: none"> • 2 Years limited warranty

* Specifications subject to change without notice, not responsible for typographical errors. Does not include HDD or OS.

Part Number Rules

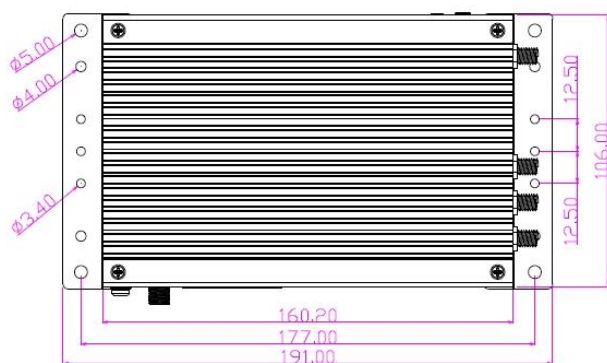


Standard Accessories

Part Number	Description
-----	HB368F21 series
HCSFBMWM01B-F	WALL MOUNT KITS
HCS3XXDINRAILPS-F	DIN RAIL KITS
L01AS051-F	Adapter DC12V_40W
L01AS052-F	Adapter DC12V_60W / HB368F21-6412-W only
Change according to shipping area	Power cord
LCSCHBJC3XX-F	Screw Pack
J05-ANT-GX57245-F	Antenna 2G4/5G 2.8dBi (WiFi only)

Mechanical Drawings (Unit=mm)

HB368F21-6210-S & HB368F21-6210-I & HB368F21-6412-I



HB368F21-6412-W

