



## Main Features

- Intel® Core™ 9th Gen, i7-9700TE, up to 3.8GHz, 8 Core
- Full IP65 protection
- 4 x Independent 10/100/1000 Mbps PoE 802.3af/at, total 60W
- 2 x Internal 2.5" SSD, 2 x mSATA and 1 x CFast with RAID 0/1/5/10
- 2 x Isolated CAN Bus 2.0B
- Optional GNSS Dead Reckoning supported
- Support 5G NR, Wi-Fi 6, V2X/DSRC, accelerator cards
- CE / FCC / E-mark (E13) / MIL-STD-810G

## Product Overview

NEXCOM IP65 vehicle computer VTC 7252-7C4IP accomplishes operational efficiency of harsh environment. Based on the 9th generation Intel® Core™ processors i7-9700TE, VTC 7252-7C4IP provides an integral solution incorporating high computing power, 4 port of independent PoE, 2 port of independent LAN and GNSS tracking with optional Dead Reckoning (DR) support to record in-vehicle activities, locations, high quality videos, driving patterns and vehicle diagnostics for raw material and public work vehicles achieving better measures for safety and management.

## Specifications

### CPU

- Intel® Core™ 9th Gen. i7-9700TE, up to 3.8 GHz, 35W, 8 Core

### Chipset

- Intel® C246 platform controller hub

### Memory

- 2-Channel 260-pin DDR4 SO-DIMM sockets up to 32GB/channel (64GB for two channels, non-ECC up to 2666 MHz), default 4GB + 4GB industrial grade memory

### Video Output

- Chipset Intel® UHD Graphics 630
- 1 x VGA up to 1920 x 1200 @ 60Hz
- 1 x HDMI (4096 x 2160 @ 30Hz) (option)

### Storage

- 2 x 2.5" SATA 3.0 internal SSD (tray: 15mm height)
- 2 x mSATA 3.0 (occupied mini-PCIe socket) + 1 x CFast
- RAID 0/1/5/10 supported

### Expansion

- 1 x M.2 3042/3052 Key B (USB 2.0, USB 3.2 Gen 2 x 1) for LTE/5G NR
- 2 x Full size mini-PCIe socket (USB 2.0, PCIe 3.0 & SATA 3.0 [BIOS selection])
- 1 x M.2 2230 Key E (USB 2.0, 2 x PCIe 3.0) for Wi-Fi. (BOM option)
- 1 x Full size mini-PCIe socket (USB 2.0, PCIe 3.0)

### GNSS and On Board Sensor

- 1 x Default U-blox NEO-M8N GNSS module for GPS/Glonass/QZSS/Galileo/Beidou, optional modules with dead reckoning available
- TPM 2.0 by Infineon SLB9665TT2
- 1 x 3D accelerometer and 3D gyroscope

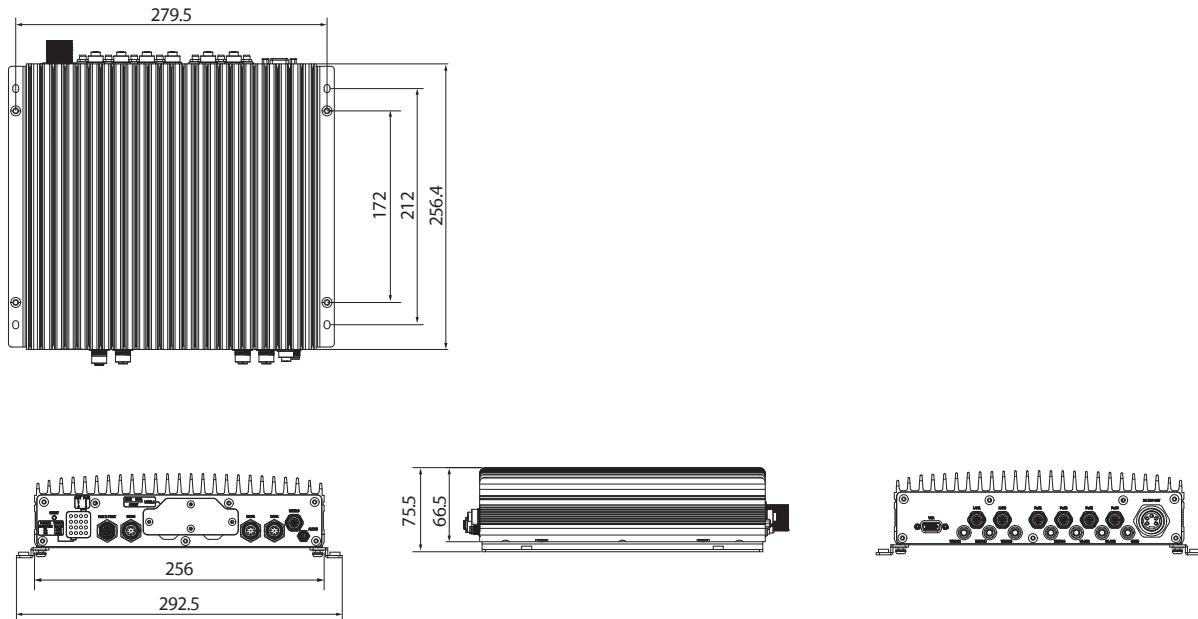
### Power over Ethernet

- 4 x Independent LAN, 10/100/1000 Mbps Intel® I210-IT GbE, PoE 802.3af/at max. 60W
- 2 x LAN, 10/100/1000 Mbps (1 for I219 support iAMT and WOL)

### I/O Interface-Front

- 1 x Reset button
- 16 x LED indicators (including 2 x programmable LED)
- 2 x USB 3.2 Gen 2 x 1 type A with cover
- 2 x External Micro SIM slot with cover
- 1 x CFast with cover
- 1 x 6-pin for audio (1 x mic-in (mono) 1 x line-out (L + R)). (option)
- Additional 1 x mic-in (mono) and 1 x line-out (L + R)
- 1 x M12 8-pin for 2 x USB2.0
- 1 x M12 8-pin for full RS-232/422/485
- 2 x M12 8-pin for full RS-232
- 1 x M12 12-pin
  - 2 x Isolated CAN Bus 2.0B
  - 3 x DI, and 3 x DO

## Dimension Drawing



- ♦ 1 x M12 8-pin (internal reservation)
  - 12VDC(2A) output
  - RS-232 (TX & RX)
  - Remote power button
  - Reset button
  - Sleeping mode button
- ♦ 1 x VGA (internal reservation)
- ♦ 1 x HDMI (internal reservation)

### I/O Interface-Rear

- ♦ 1 x VGA
- ♦ 2 x M12 A-code LAN port, 10/100/1000 Mbps
- ♦ 4 x M12 A-code PoE port, 10/100/1000 Mbps
- ♦ 1 x M12 5-Pin DC Input with Ignition (9 ~ 36V)
- ♦ 7 x SMA antenna hole (WWAN(4)/WLAN(2)/GNSS(1))

### Power Management & Software Support

- ♦ Power input 9~36VDC
- ♦ Cranking voltage: 6V~9V (< 30 seconds)
- ♦ Reverse protection, OCP & UVP
- ♦ Selectable boot-up & shut-down voltage for low power protection by software
- ♦ Setting 8-level power on/off delay time by software
- ♦ 1~255 seconds WDT support, setup by software
- ♦ SDK (Windows/Linux) including utility and sample code

### Operating System

- ♦ Windows 10
- ♦ Linux

### Dimensions

- ♦ 256 x 256.4 x 66.5 (W x D x H) (mm)

### Weight

- ♦ 4.5kg

### Environment

- ♦ Operating temperatures
  - -30°C~60°C (w/ industrial SSD) with air flow

- ♦ Storage temperatures: -40°C~80°C
- ♦ Relative humidity: 90% (non-condensing)
- ♦ Vibration (random)
  - 2g @ 5~500 Hz (in operation, SSD)
- ♦ Vibration (SSD)
  - Operating: MIL-STD-810G, Method 514.6, Category 4, common carrier US highway truck vibration exposure
  - Storage: MIL-STD-810G, Method 514.6, Category 24, minimum integrity test
- ♦ Shock (SSD)
  - Operating: MIL-STD-810G, Method 516.6, Procedure I, functional shock=40g
  - Non-operating: MIL-STD-810G, Method 516.6, Procedure V, crash hazard shock test=75g

### Certifications

- ♦ CE approval
- ♦ FCC Class A
- ♦ E-Mark (E13)
- ♦ IP65 Compliance

## Order Information

### ♦ VTC 7252-7C4IP (P/N: 10V00725200X0)

Intel® Core™ 9th Gen. i7-9700TE, 2 x 4GB industrial grade memory, VGA output, 2 x internal 2.5" tray, 1 x CFast, 2 x LAN, 4 x PoE 802.3af/at (total 60W), 2 x mini-PCIe slot, 2 x M.2 slot, 2 x SIM socket