

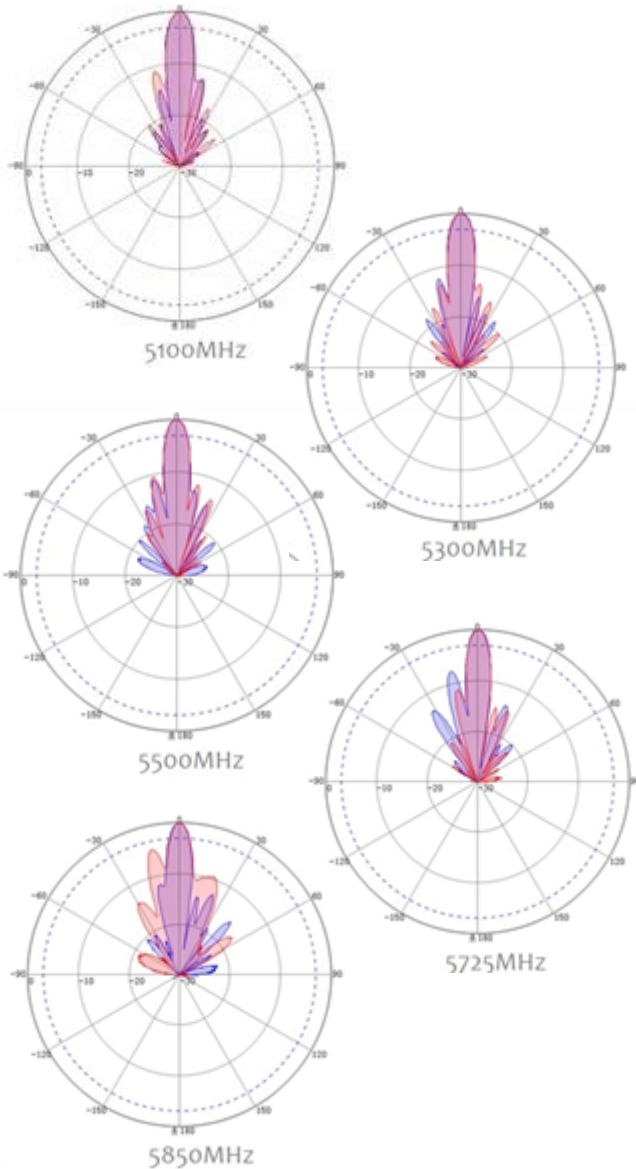
## JetWave 5.8G 23dBi Directional Panel Antenna

# JWDA-5.8G-23dBi-DP-2xNF



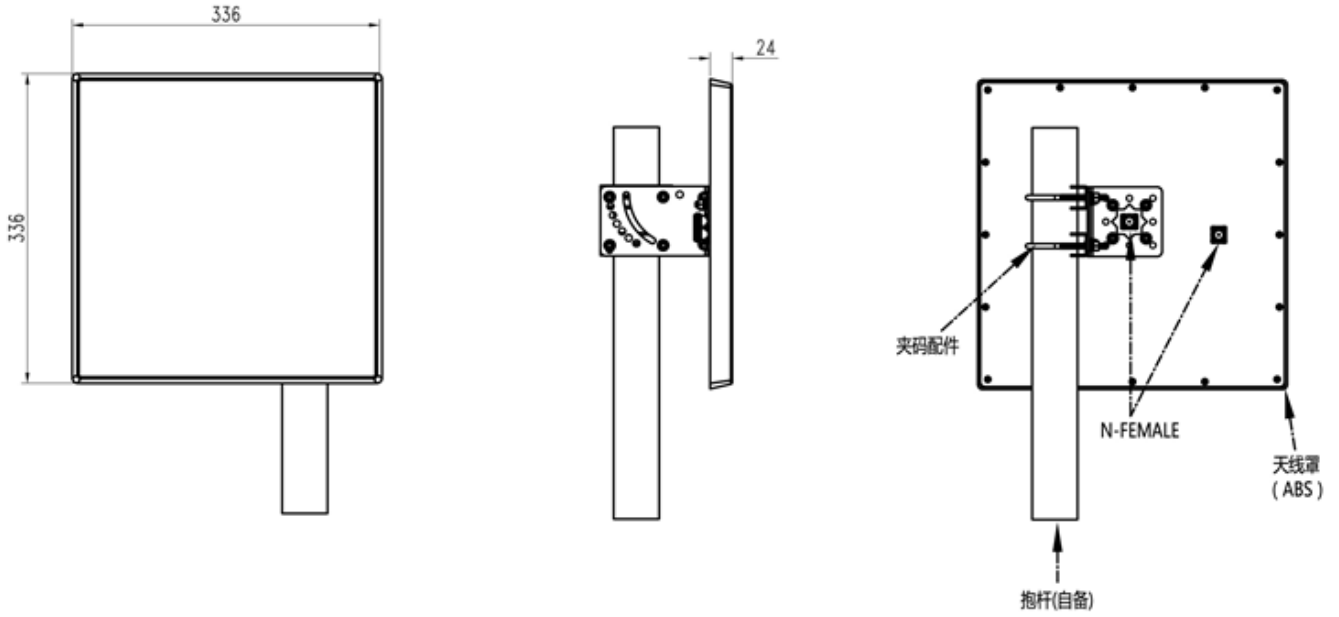
- ▶ Antenna Type : Directional Panel Antenna
- ▶ Frequency : 5.1~5.9 GHz
- ▶ Gain : 23 dBi
- ▶ Connector : 2 x N-Type Female
- ▶ Polarization : Linear, Dual Polarization
- ▶ Dimension : 330 x 330 x 47 mm
- ▶ Temperature : -40~60°C
- ▶ Apply to : JetWave 3000/2800  
(Required relevant Antenna Cable)

## Specification



Features	
Antenna Type	Directional Panel Antenna
Frequency	5.1~5.9GHz
Gain	23 dBi
Polarization	Linear, Dual Polarization
Power handling	50W Max
Impedance	50 Ohm
HPBW/horizontal	12°
HPBW/vertical	12°
V.S.W.R(Max)	1.3 : 1
Mechanical & Environmental	
Connector	2 x N-Type Female
Radome color	White
Radome Material	ABS + PC
Dimension	330 x 330 x 47 mm
Weight	2700g
Temperature	-40~60°C
Apply Model & Antenna Cable	
JetWave 3000	2 x RSM-NM-CFD200-1.5M
JetWave 2800	2 x NM-NM-CFD400-1M

## Dimension (Unit = mm)



Diameter: 3.2~4.6cm

## Mounting Configuration

