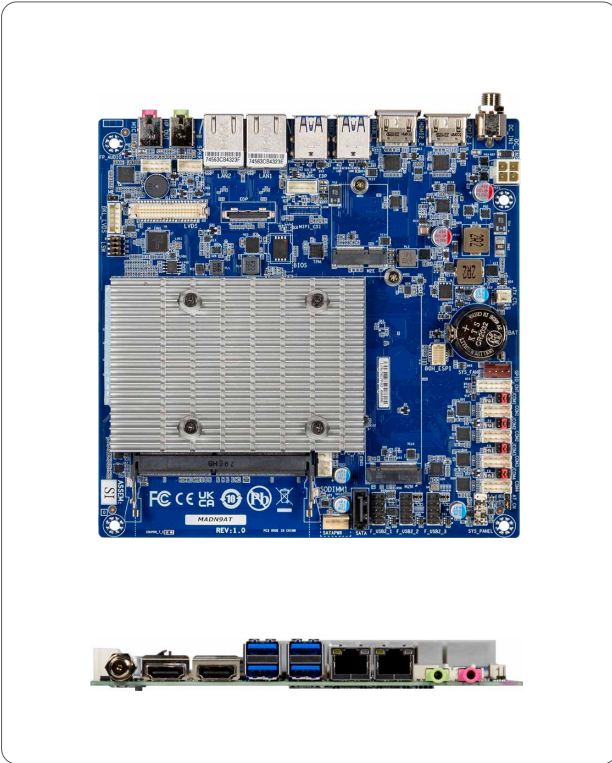


iTXL-N97A (MADN9AT-SI)

Thin Mini-ITX Embedded Motherboard with Intel® Processor N97, Single Channel DDR4 memory, 4 x COM, 1 x SATA 6Gb/s, 10 x USB



Features

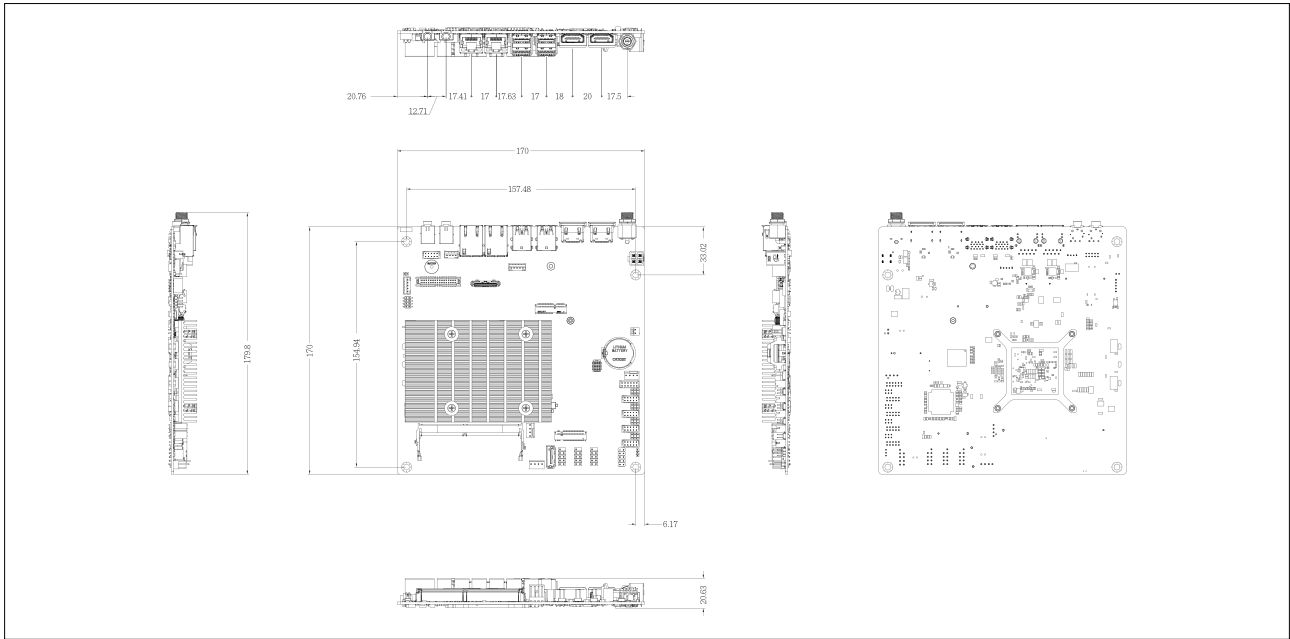
- Thin Mini-ITX form factor
- Intel® Processors N97
- Single Channel DDR4, 1 x SO-DIMM
- 2 x GbE LAN Ports
- 1 x SATA 6Gb/s Port
- HDMI, eDP, LVDS ports for Multiple Display
- 4 x COM Ports (RS-232/422/485 & RI/5V/12V)

Specifications

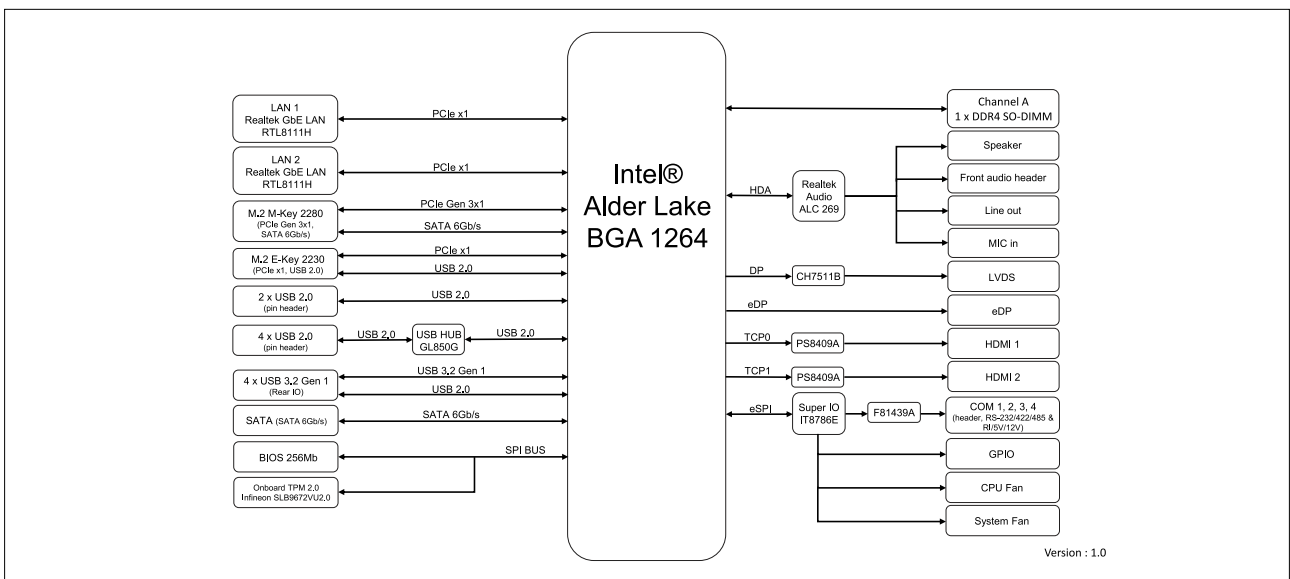
Form Factor	Thin Mini-ITX 170W x 170D (mm)
CPU	Intel® Processors N97 Intel 7, 4 cores, up to 3.60 GHz TDP 12W
Socket	1 x FCBGA1264
Memory	1 x DDR4 SO-DIMM socket, Max. Capacity 32 GB Support Single channel DDR4 3200 MHz memory modules
Ethernet	2 x GbE LAN Ports (Realtek® RTL8111H)
Video	Integrated Graphics Processor - Intel® UHD Graphics support: 2 x HDMI 2.0 port, supporting a maximum resolution of 4096x2160 @60Hz 1 x eDP port, supporting a maximum resolution of 3840x2160 @60Hz 1 x LVDS port, supporting a maximum resolution of 1920x1200 @60Hz (3 independent display outputs)
Audio	Realtek® ALC269
Storage	1 x SATA 6Gb/s Port
Expansion Slots	1 x 2280 M.2 M-Key (PCIe Gen 3x1, SATA 6Gb/s) 1 x 2230 M.2 E-Key

Internal I/O	1 x 4-pin ATX main power connector 1 x SATA Power connector 1 x CPU fan header 1 x System fan header 1 x Front panel header 1 x Front panel audio header 1 x 2W Speaker out header 6 x USB 2.0 headers 4 x COM headers (RS-232/422/485 & RI/5V/12V) 1 x GPIO (8 bits) & SMBus header 1 x Backlight Control header for eDP 1 x Backlight Control header for LVDS 1 x AT/ATX mode select jumper 1 x ATX control header
Rear I/O	2 x Audio Jacks (Line out, Mic in) 2 x HDMI 2 x RJ45 LAN Ports 4 x USB 3.2 Gen 1 1 x DC Jack (+12V~24VDC)
TPM	Onboard TPM 2.0 security chip INFINEON SLB9672VU2.0
OS Compatibility	Windows 10/11 (x64)
Operating Properties	Operating temperature: 0°C to 60°C Operating humidity: 0-90% (non-condensing) Non-operating temperature: -40°C to 85°C Non-operating humidity: 0%-95% (non-condensing)
Packing Content	Carton size: 465 x 351 x 217 (mm) Packing Capacity: 10pcs Single Box size: 221 x 178 x 65 (mm) Including: Standard IO Shield x 1 (P/N: 12AIO-MEHLJA-00R) Low-Profile IO Shield x 1 (P/N: 12AIO-MJPLNO-00R) SATA Power Cable x 1 (P/N: 25CRI-200B02-K1R)
Order Information	9MADN9ATMR-SI (Box Packing)

GIGAIPC reserves the right to modify or change technical data without prior notice.



Block Diagram



GIGAIPC reserves the right to modify or change technical data without prior notice.