

G1017M

10.1" Intel® Elkhart Lake N6415 Rugged Tablet PC



Features

- 10-point projected capacitive multi-touch panel
- Fully rugged for mobile POS or warehousing application
- Physical keypad with numeric keys and function Keys
- Support Wi-Fi 6 wireless networking
- 1 x RJ-45 LAN port

System

| | |
|---------------------|--|
| CPU | Intel® Pentium N6415 Quad-core 1.2GHz |
| Graphics Controller | Integrated Intel® UHD Graphics controller |
| Memory | 4G DDR4 SO-DIMM Memory module installed(optional up to 16G) |
| Audio | 1 x Microphone 1 x Speaker 1 x 3.5 mm Phone/Mic combo Jack |
| Storage | Integrated 64GB eMMC |

Peripherals and Devices

| | |
|------------------|--|
| Camera | 1 x Rear 5.0 MP AF CMOS camera 1 x Front 5.0 MP AF CMOS camera |
| WLAN & Bluetooth | 1 x WLAN 802.11 ax/ac/a/b/g/n & Bluetooth 5.2 BLE, Class2 |
| RFID & NFC | 1 x 13.56MHz, ISO IEC14443 Type A & B RFID & NFC Reader (distance: 3~5cm; speed: 5 cards/sec) / FeliCa protocol / MIFARE protocol |

I/O Interface

| | |
|--------------|---|
| USB | 1 x USB 3.0 Type-A port 1 x USB Type-C(USB data transfer only) |
| LAN | 1 x RJ-45 port(optional) |
| Vedio Output | 1 x mini HDMI |
| Expansion | 1 x micro SD/SDHC/SDXC slot 1 x M.2 for storage device |

Button & Indicator

| | | |
|---------------|---|---|
| Function Key | 10 x Numeric keys (0 ~ 9); 1 x Enter key; 1 x 4-way navigation key; 4 x Function keys; | 1 x ESC key; 1 x Backspace; 1 x Dot (.) key; 1 x Brightness key; |
| Power Button | 1 x Power on/off button | |
| LED Indicator | 1 x Battery LED 1 x Power LED 1 x WLAN/Bluetooth LED | |

Touch Screen

| | |
|----------------------|---|
| Type | 10-point projected capacitive multi-touch |
| Controller Interface | USB Interface |

LCD Display

| | |
|----------------------|---------------------|
| Size/Type | 10.1" TFT-LCD panel |
| Max. Resolution | 1280 x 800 |
| Luminance | 350 cd/m2 |
| Contrast Ratio | 800:1(typ.) |
| View Angle (U/D/R/L) | 85°/85°/85°/85° typ |
| Backlight Type | LED |

Power Supply

| | |
|---------------------|--|
| AC/DC Power Adapter | 100 ~ 240VAC, 1.5A, 50-60Hz 19VDC, 3.42A, 65W |
| Battery | Li-ion battery 7.6V, 4000mAh, 30.4Wh |

Mechanical & Environmental

| | |
|------------------------|---|
| Operating Temp. | 0 ~ 40°C (32 ~ 104°F) |
| Storage Temp. | -20 ~ 60°C (-4 ~ 140°F) |
| Charging Temp. | 0 ~ 35°C (32 ~ 95°F) |
| Operating Humidity | 10 ~ 95% @ 45°C (non-condensing) |
| Dimensions (W x H x D) | 301(W) x 187(H) x 18(D) mm |
| Gross Weight | 1.06 Kg |
| Vibration | Operation: 20 to 1000 Hz @ 1 grms Transportation: 20 to 1000 Hz @ 3 grms |
| Shock | Operation: 11 ms @ 20G Transportation: 11 ms @ 40G |
| Regulatory | CE / FCC |

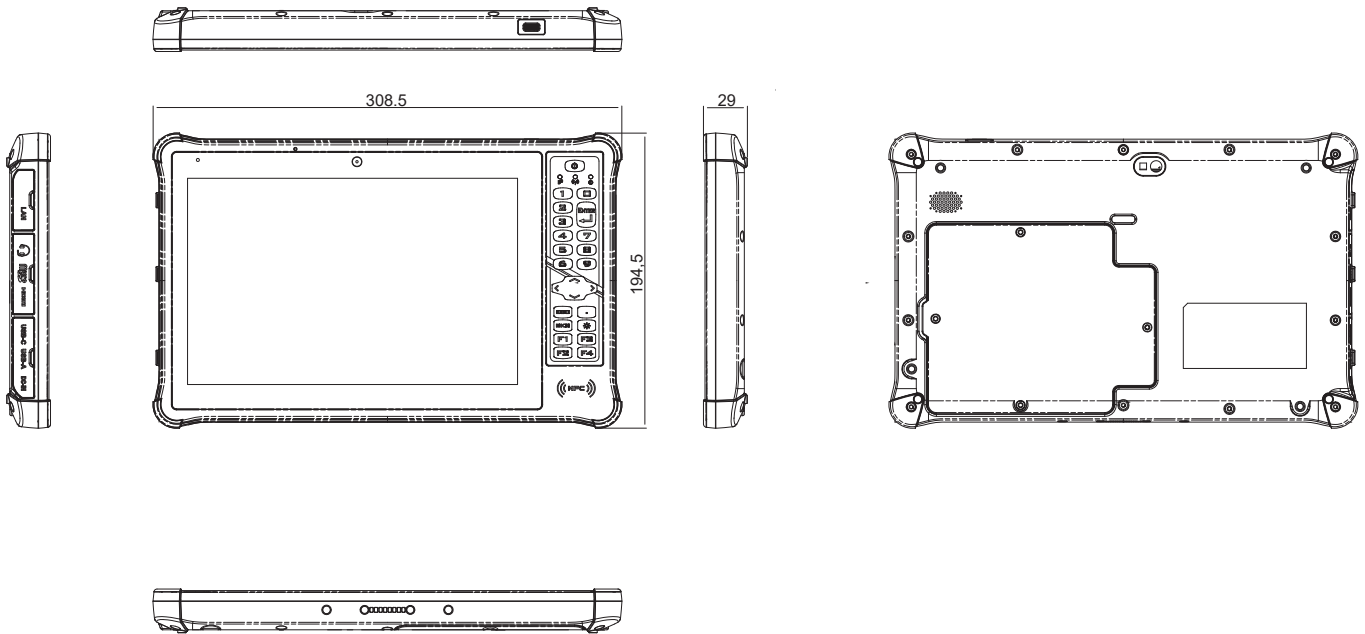
Durability

| | |
|--------------------|------------------------------------|
| Ingress Protection | IP-54, 1m (3.3ft.) drop-resistance |
|--------------------|------------------------------------|

OS Support

| | |
|------------|--|
| Windows 10 | |
|------------|--|

Dimension



Standard Accessories

| | |
|----------------|--|
| G1017M | 10.1" Intel® Pentium Elkhart Lake N6415 tablet PC w/ WXGA LCD, projected capacitive touch screen, battery pack, WLAN and Bluetooth |
| Adapter | AC/DC, 19V, 3.42A, 65W, 1500mm, 2.5 φ JACK |
| Power cord | CBL, POWER, IEC320 C5 TO JP TYPE or CBL, POWER, QUEEN PUO TO EU TYPE |
| SHOULDER STRAP | G1052-HPC SHOULDER STRAP ASSY |

Optional Accessories

| | |
|--------------------|---------------------------|
| DTC-1017 R0.1(T/R) | Cradle DTC-1017 R0.1(T/R) |
|--------------------|---------------------------|