

# WinPAC-8000 Quick Start Guide

Version 1.0.3, October 2009

## Congratulations!

Congratulations on purchasing Win PAC-8000 - the most popular automation solution for remote monitoring and control application. This Quick Start Guide will provide information needed to get started with WinPAC. Please also consult the User Manual for detailed information on the setup and use of Win PAC.

## What's In the Box?

In addition to this guide, the package includes the following items:



### Win PAC Module

WP-8141: 1 slot  
WP-8441: 4 slots  
WP-8841: 8 slots



### 1GB Micro SD card



### Software Utility CD



### Screw Driver

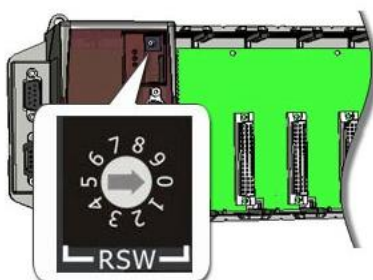
(1C016)  
2.4 mm

# 1

## Preparing for Start-up the WinPAC-8000

Power Supply: +10V ~ +30V/DC (Ex: DP-665):

[http://www.icpdas.com/products/Accessories/power\\_supply/power\\_list.htm](http://www.icpdas.com/products/Accessories/power_supply/power_list.htm)



# 2

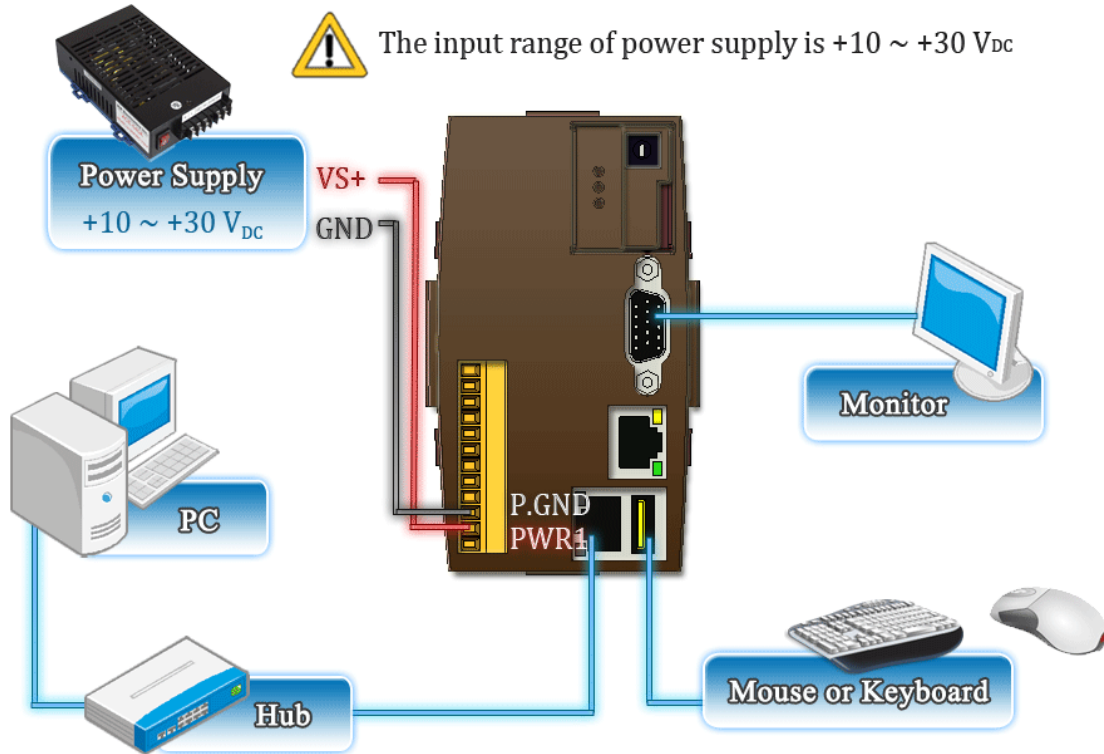
## Configuring the boot mode

Make sure the rotary switch placed in the "0" position.

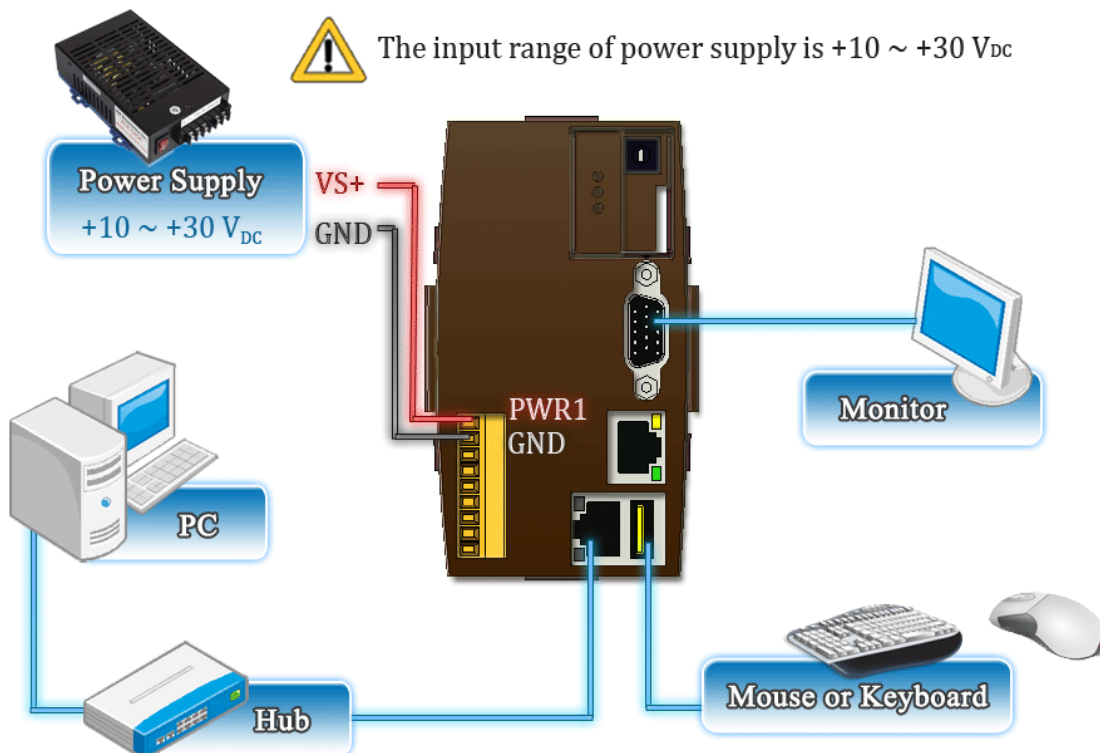
# 3

## Setting up the power supply and other I/O devices

The diagram below shows the connections of WP-8141.



The diagram below shows the connections of WP-8441/WP-8841.



# 4

## Start the WinPAC Utility to manage the Win PAC

The WinPAC Utility is a toolkit used to quickly control and manage the Win PAC.



**Step 1: Run the WinPAC Utility located on desktop**



**Step 2: Configure IP(DHCP), FTP Server, Auto Execution..., etc**

**Step 3: Save and Reboot**

# 5

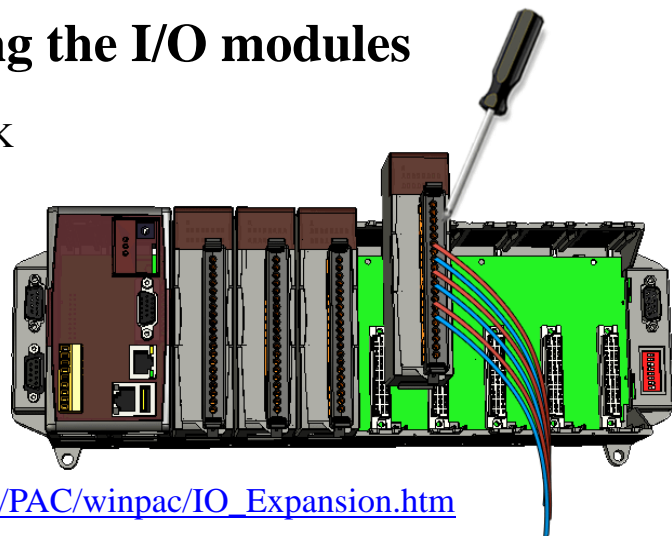
## Inserting and Wiring the I/O modules

Only high profile I-8K and I-87K series modules can be plugged.

For more information about this expansion I/O modules, please refer to

CD:\NAPDOS\io\_module\

[http://www.icpdas.com/products/PAC/winpac/IO\\_Expansion.htm](http://www.icpdas.com/products/PAC/winpac/IO_Expansion.htm)



# 6

## Start the DCON Utility to configure I-87K modules

DCON Utility is a tool kit used to quickly control and manage I-87K series expansion I/O modules.

**Step 1: Run the DCON firmware on the Win PAC**

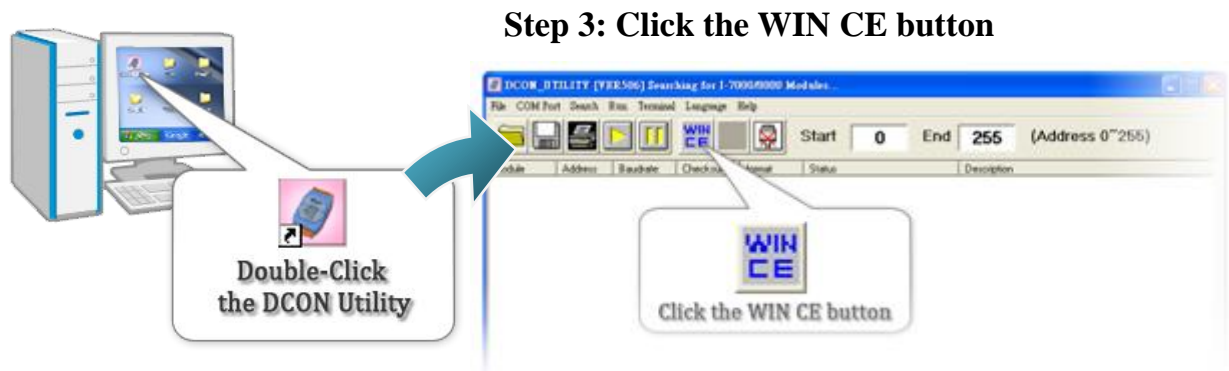
The DCON firmware is located at:

\System\_Disk\tools\DCON\_CE\

## Step 2: Run the DCON Utility on the host PC

The DCON Utility can be obtained from:

CD:\Napdos\wp-8x4x\_ce50\PC\_Tools\DCON\_Utility\  
[http://ftp.icpdas.com/pub/cd/winpac/napdos/wp-8x4x\\_ce50/pc\\_tools/dcon\\_utility/](http://ftp.icpdas.com/pub/cd/winpac/napdos/wp-8x4x_ce50/pc_tools/dcon_utility/)



## Step 3: Click the WIN CE button

Step 4: On the WINCE device connection, enter the IP address of the Win PAC to search the I-87K series expansion I/O modules



Step 5: It will display a list of I-87K series expansion I/O modules, then select the module name that you want to configure

## Technical Support

### WinPAC 8000 User Manual

CD:\Napdos\wp-8x4x\_ce50\Document\  
[http://ftp.icpdas.com/pub/cd/winpac/napdos/wp-8x4x\\_ce50/document/](http://ftp.icpdas.com/pub/cd/winpac/napdos/wp-8x4x_ce50/document/)

### WinPAC 8000 Demo References

CD:\NAPDOS\wp-8x4x\_ce50\Demo\  
[http://ftp.icpdas.com/pub/cd/winpac/napdos/wp-8x4x\\_ce50/demo/](http://ftp.icpdas.com/pub/cd/winpac/napdos/wp-8x4x_ce50/demo/)

### DCON User Manual

CD:\NAPDOS\wp-8x4x\_ce50\PC\_Tools\DCON\_Utility\Manual\  
[http://ftp.icpdas.com/pub/cd/winpac/napdos/wp-8x4x\\_ce50/PC\\_Tools/DCON\\_Utility/Manual/](http://ftp.icpdas.com/pub/cd/winpac/napdos/wp-8x4x_ce50/PC_Tools/DCON_Utility/Manual/)

### WinPAC Website

<http://www.icpdas.com/products/PAC/winpac/introduction.htm/>

