

15" Marine Bridge System Display

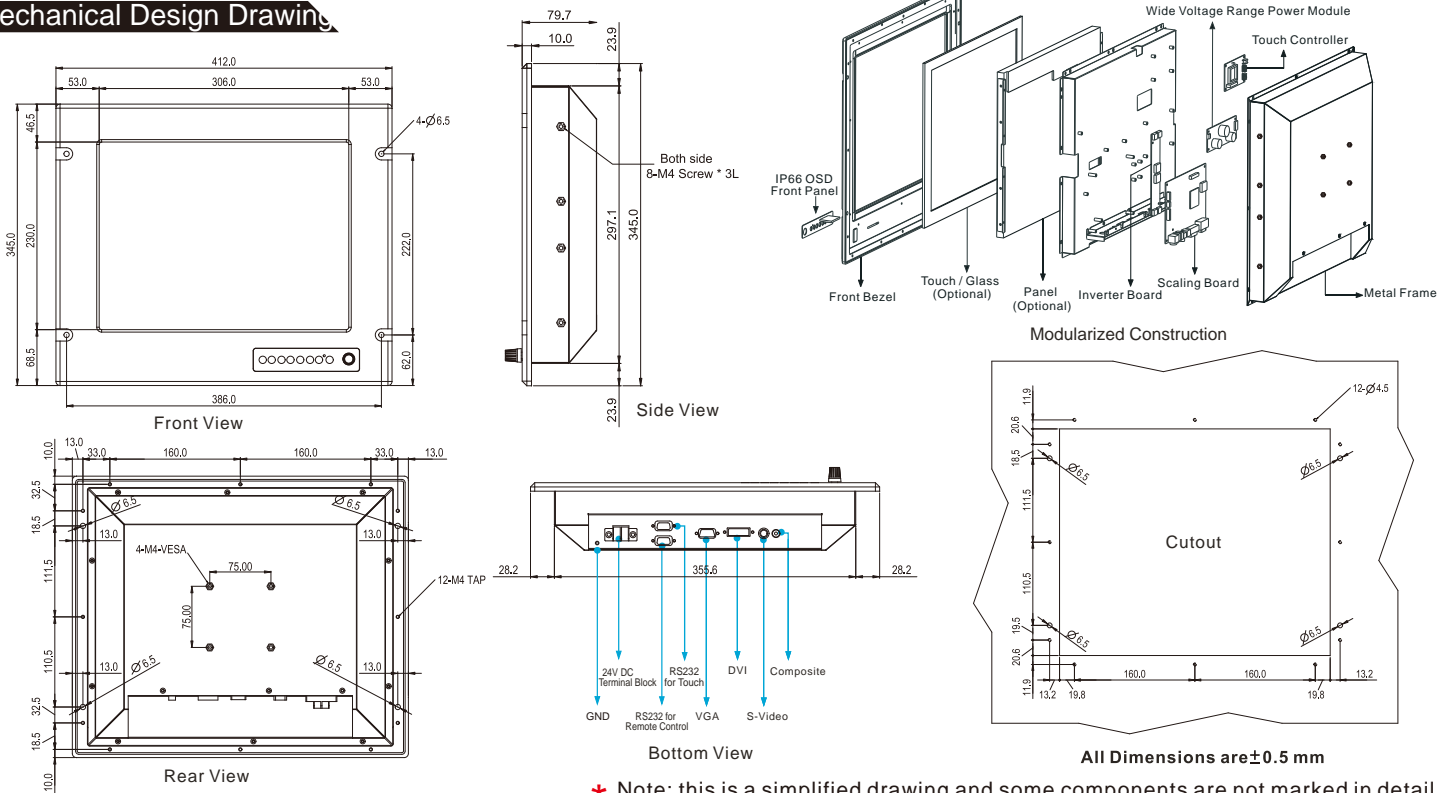
Model # R15L600-MRM2

Features:

- Hyper Dimming : Dimming knob control backlight brightness from nearly 0% to 100%
- High Quality Panel : High resolution 1024 x 768 panel
- Anti-Corrosion & IP Proof : IP66 aluminum housing with powder coating design (IP54 rear)
- Wide Voltage Range Input : 24 V DC to DC power input acceptable (Isolation Resistance)
- Touchscreen/ Protection Glass : High quality touchscreen / AR protection glass for option
- Multiscan Function : PIP(picture in picture) function and multi-video inputs
- IP65 OSD Front Panel Design : Ease of use front panel OSD control
- Anti-Shock and Vibration : Enhanced shock and vibration resistance



Mechanical Design Drawing



* Note: this is a simplified drawing and some components are not marked in detail. Please contact our sales representative if you need further product information.

TFT Characteristics:

| | |
|---------------------|--------------------------------|
| Pixel Number | : 1024 x 768 |
| Pixel Pitch(RGB) | : 0.297 (H) x 0.297 (V) mm |
| Contrast Ratio | : 350:1 (typ.) |
| Light Intensity | : 400 cd/m ² (typ.) |
| Viewable Angles | : -75~75(H); -60~50(V) |
| Active Display Area | : 304.1 (H) x 228.1 (V) mm |
| Max Colors | : 16.7M (8bit/colors) |

User Controls:

- Power On/Off via front button
- VR Brightness Knob Control
- Power Mode Status LED
- On Screen Display control(OSD)
- OSD Remote Control via RS-232

Power Specifications:

| | |
|----------------------|--|
| Power Supply Options | : 24 V DC power supply with Terminal block (Default, Isolation Resistance), 90 to 265V AC power supply |
| Power Consumption | : 40 W typical, normal operation |

Input Signals:

| | |
|------------------------------|-------------------------------|
| RGB Signal | : D-SUB 15P connector(female) |
| Composite Video | : RCA phono plug |
| S-Video Signal | : S-Video (SVHS) plug |
| DVI-D Signal | : DVI-D input 24pin connector |
| DC Power Signal | : Screw terminal block |
| AC Power Signal (Optional) | : Std IEC Inlet |
| Touch Screen (Optional) | : D-SUB 9P connector (female) |
| Remote via RS-232 (Optional) | : D-SUB 9P connector (female) |

Mechanical and Environmental:

| | |
|-----------------------|--|
| Mechanical Mounting | : Panel (Flush) mount with IP66*, VESA, Bracket mounting |
| Operating Temperature | : -15 to 55 deg.C |
| Operating Humidity | : 5% to 95% (non condensing) |
| Anti-Vibration | : 5Hz~500Hz / 1Grms/3 Axis |
| Anti-Shock | : 15G, 11ms duration |
| * SAW touch for IP54 | |

Available Options:

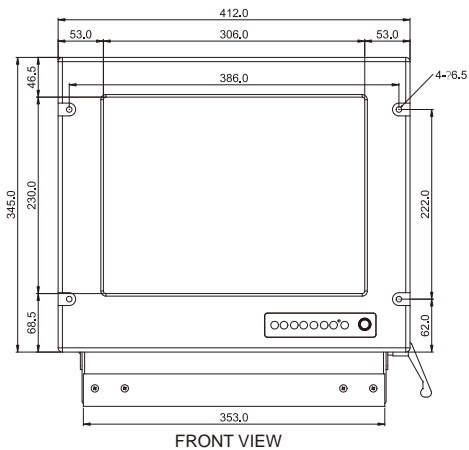
| | |
|--------------------------|---|
| Touch Screen Options | : SAW, 5 Wire Resistive |
| AR Safety Glass Options | : 3mm Anti-reflective protection glass |
| AC power Options | : Yes (90 to 265 V AC power input) |
| Bracket Mounting Options | : Yes (One robust bracket can adjust from -10 to 30 deg.) |



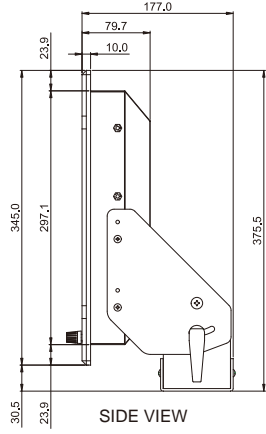
15" Marine Bridge System Display

Model # R15L600-MRM2

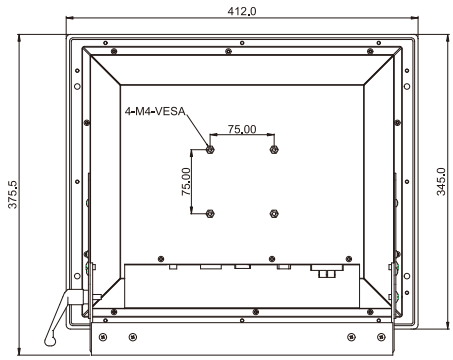
Mechanical Design with Robust Bracket (option)



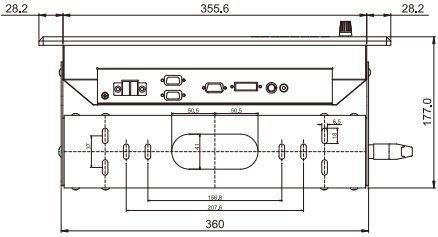
FRONT VIEW



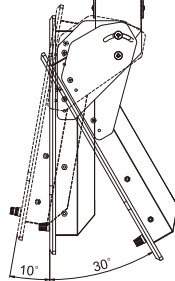
SIDE VIEW



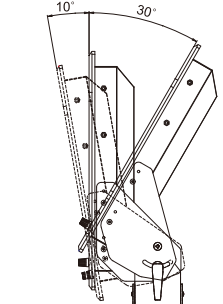
BACK VIEW



BOTTOM VIEW

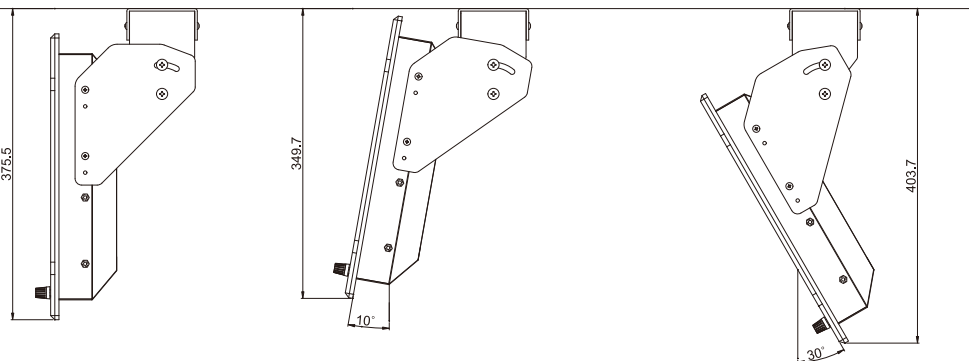


ROOF MOUNT

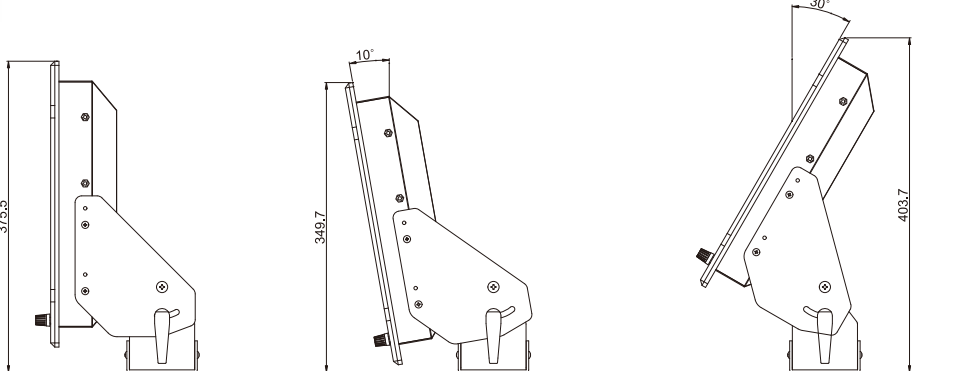


STAND ANGLE

ROOF MOUNT



STAND ANGLE



All Dimensions are ± 0.5 mm

* Note: this is a simplified drawing and some components are not marked in detail. Please contact our sales representative if you need further product information.

Certification and Approvals : CE,FCC,IEC60945,DNV2.4,IACS-E10

* Extra charge is required for back covers with bracket holes for products purchased before end of Nov. 08'

