

mITX-1505A (MRZNRMI)

Rev 1.0

Mini-ITX Embedded Motherboard with AMD Ryzen™ R1505G Embedded Processor, Dual channel DDR4 memory, PCIe, 5 x COM, 8 x USB, 2 x SATA 6Gb/s



Features

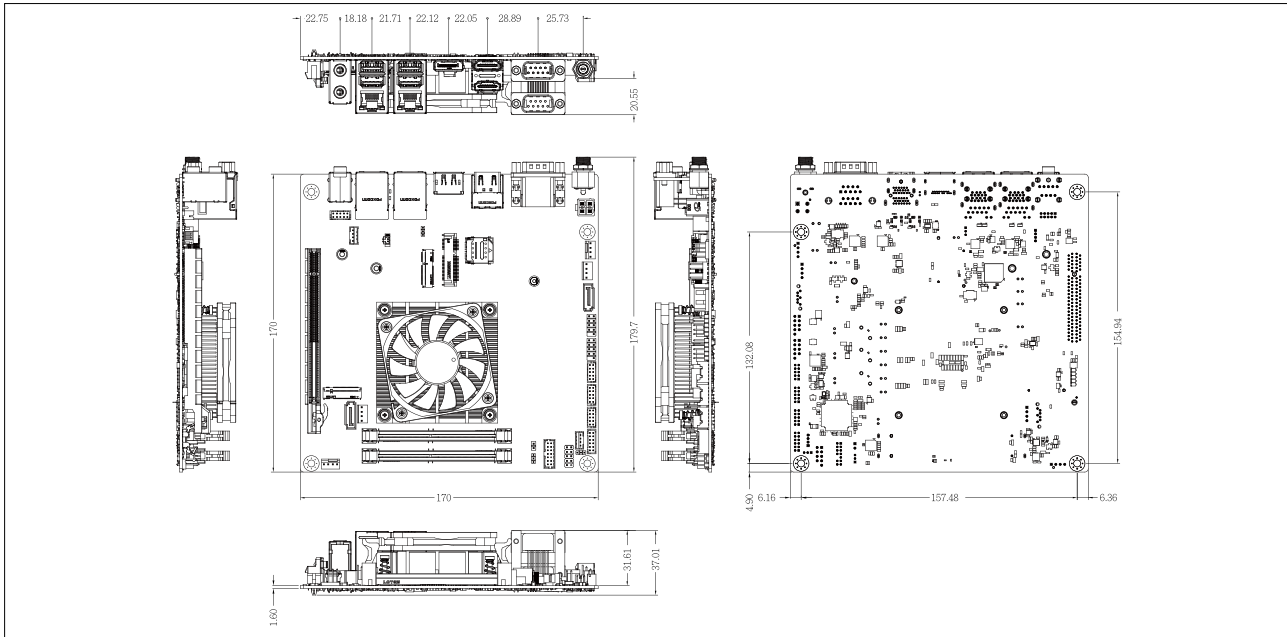
- Mini-ITX form factor
- AMD Ryzen™ R1505G Embedded Processor
- Dual Channel DDR4, 2 x SO-DIMMs
- 2 x GbE LAN Ports
- 2 x SATA 6Gb/s Ports
- HDMI, Display Port for multiple display
- 4 x USB 3.2 Gen 1
- 5 x COM Ports (RS-232)

Specifications

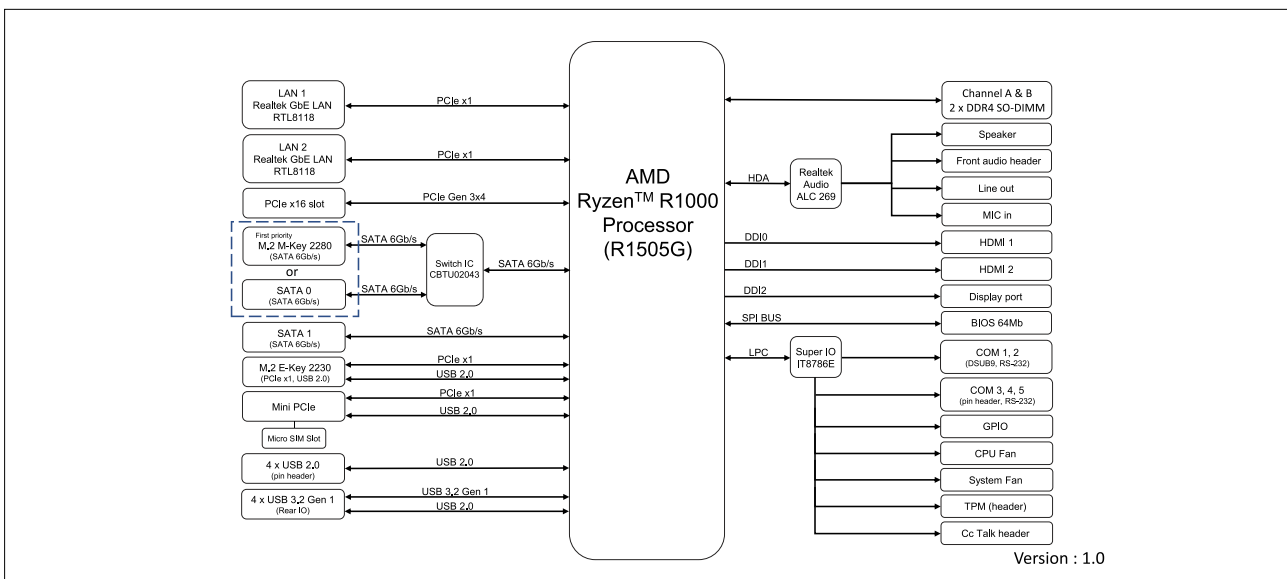
Form Factor	Mini-ITX 170W x 170D (mm)
CPU	AMD Ryzen™ R1505G Embedded Processor with Radeon™ Vega 3 Graphics 2 cores, 4 threads, 2.4GHz, up to 3.3GHz TDP 25W
Socket	1 x FP5 Type 1
Chipset	SoC
Memory	2 x DDR4 SO-DIMM sockets, Max. Capacity 32 GB Support Dual channel DDR4 2400 MHz memory modules
Ethernet	2 x GbE LAN Ports
Video	Integrated Graphics Processor - AMD Radeon™ Vega 8 Graphics: 2 x HDMI 2.0, supporting a maximum resolution of 4096x2160 @60Hz 1 x Display port, supporting a maximum resolution of 3840x2160 @60Hz (3 independent display outputs)
Audio	Realtek® Audio Codec
Storage	2 x SATA 6Gb/s Ports
Raid	—
Expansion Slots	1 x PCIe x16 (Gen3 x4) 1 x 2280 M.2 M-Key (SATA 6Gb/s) 1 x 2230 M.2 E-Key (PCIe x1 + USB 2.0) 1 x Full-size Mini PCIe with SIM slot (PCIe x1 + USB 2.0)
Internal I/O	1 x 4-pin ATX main power connector 2 x SATA power connectors 1 x CPU fan header 1 x System fan header 1 x Front panel header 1 x Front panel audio header 1 x 2W Speaker out header 1 x Chassis Intrusion detect header 4 x USB 2.0 headers 3 x COM header (RS-232) 1 x ccTalk header 1 x GPIO (8 bits) & SMBus header 1 x Clear CMOS jumper 1 x AT/ATX mode select jumper

Rear I/O	2 x Audio Jacks (Line out, Mic in) 2 x COM Ports (RS-232) 2 x HDMI 1 x Display Port 2 x RJ45 LAN Ports 4 x USB 3.2 Gen 1 1 x DC Jack (+12~24VDC)
TPM	1 x TPM header
OS Compatibility	Windows 10 (x64)
Operating Properties	Operating temperature: 0°C to 60°C Operating humidity: 0-90% (non-condensing) Non-operating temperature: -40°C to 85°C Non-operating humidity: 0%-95% (non-condensing)
Packing Content	Carton size: 556 x 476 x 244 (mm) Packing Capacity: 10pcs Single Box size: 221 x 178 x 65 (mm) Including: IO Shield x 1 (P/N: 12AIO-MRZRMI-00R) SATA power Cable x 1 (P/N: 25CRI-300003-S9R) Gasket for HDMI connector x 2 (P/N: 25BE0-MRZN00-S1R)
Order Information	9MRZNRMIMR-SI (Box packing)

GIGAIPC reserves the right to modify or change technical data without prior notice.



Block Diagram



Optional Kit

Part No.	Description	Quantity
9CTM000NR-00	TPM 2.0 module	1

GIGAIPC reserves the right to modify or change technical data without prior notice.