

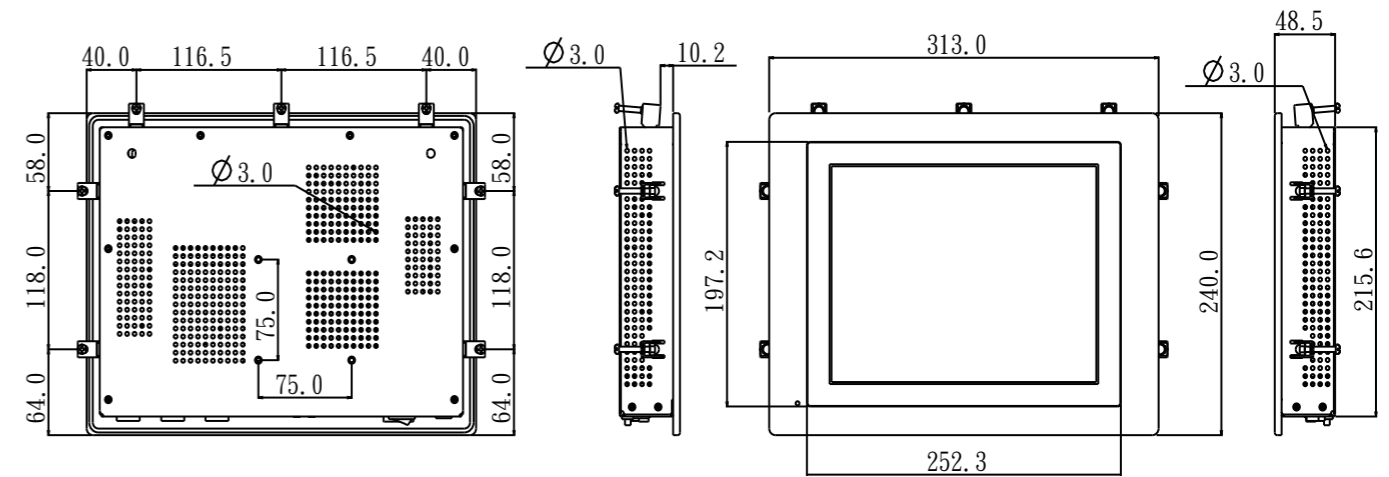


### Key Features

- 10" Intel Baytrail Fanless Industrial Panel PC
- Low power and true fanless thermal solution
- Onboard Intel Celeron J1900 SoC
- 10" LCD with full flat touch screen
- IP66 in front water/dust proof bezel
- Panel mount capability
- CE, FCC, VCCI Class B passed
- Optional Mini-PCIe WLAN with external antenna



### Outline Drawing



### Main System

|                 |  |
|-----------------|--|
| <b>CPU</b>      | Intel® Celeron® J1900 2.0 GHz quad-core processor 10W                      |
| <b>Graphics</b> | Intel® HD Graphics   |
| <b>Memory</b>   | Two 1333 MHz DDR3L SODIMM socket support dual Channel, non-ECC, up to 8 GB |

### LCD Panel

|                      |                   |
|----------------------|-------------------|
| <b>Size</b>          | 10" 4:3           |
| <b>Brightness</b>    | 230 nits          |
| <b>Resolution</b>    | SVGA (800 x 600)  |
| <b>Color numbers</b> | 262K, LVDS 6 bits |
| <b>Viewing angle</b> | 130 (H) / 110 (V) |
| <b>Contrast</b>      | 400:1             |

### Touch Panel

| Technology          | 5-wire resistive touch (default) | Projected capacitive touch (option) |
|---------------------|----------------------------------|-------------------------------------|
| <b>Type</b>         | Front full flat touch panel      | Front full flat 2 point touch panel |
| <b>Transparency</b> | 80±5%                            | 90% ± 3%                            |
| <b>Hardness</b>     | 4H                               | 7H                                  |
| <b>Durability</b>   | Knock 35 million times           | Knock 100 million times             |

\* OS support (Multi point) : Win 7 pro, Win 8, Win 8.1 industrial, Win10

### Storage & Expansion

|                       |  |
|-----------------------|--|
| <b>HDD</b>            | 2.5" SATA HDD drive bay x 1 + anti-vibration kit, 320 / 500 GB |
| <b>Expansion slot</b> | Mini PCIe x 2 (52 pin card-edge type)                          |

### Ordering Information

|                    |             |                                   |
|--------------------|-------------|-----------------------------------|
| WLP-7B20-10 (BKFT) | R-Touch     | Celeron-J1900 / 2G RAM / 320G HDD |
| WLP-7B20-10 (BKPT) | P-cap Touch | Celeron-J1900 / 2G RAM / 320G HDD |

### I/O & Power & Control Keys

|                          |   |
|--------------------------|---|
| <b>USB</b>               | USB 2.0 x 3, USB 3.0 x 1  |
| <b>COM</b>               | DB-9 x 3<br>{RS232 x 2, RS232/422/485 x 1 (Set by BIOS, RS485 auto flow)} |
| <b>LAN</b>               | RJ-45 x 2, Gigabit  |
| <b>Audio</b>             | Line-out, Microphone-in (3.5 mm phone-jack)                               |
| <b>DVI output</b>        | DVI-I x 1   |
| <b>Power input</b>       | DC-in x 1, 7V~32V   |
| <b>Power adaptor</b>     | External, 57 watts, 90~264V AC in, 12V DC out, 1.2m DC cable              |
| <b>Power consumption</b> | 28 W ( MAX. Loading without adapter )                                     |
| <b>Control keys</b>      | Rear bottom: Power on/off, reset  |

### Mechanical & Environmental

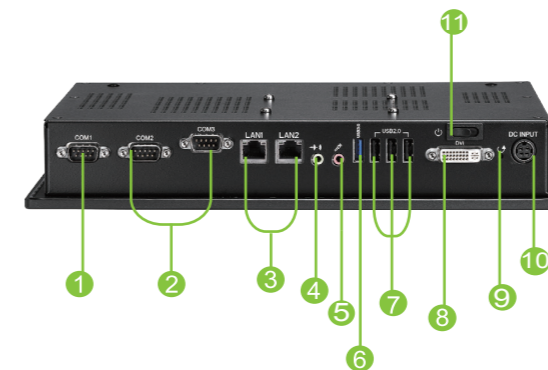
|                     |   |
|---------------------|---|
| <b>Housing</b>      | Front bezel is Aluminum, others are SECC  |
| <b>IP rating</b>    | Front IP66  |
| <b>Cooling</b>      | Fanless   |
| <b>Dimension</b>    | 313 x 240 x 48.5 mm (W x H x D, panel mount)  |
| <b>Weight (net)</b> | 3.5 Kg (approximate, w/o power adaptor)   |
| <b>Temperature</b>  | · Operating: 0°C~50°C (w/ air flow) / 0°C~40°C (no air flow)<br>· Storage: -20°C~65°C |
| <b>Humidity</b>     | Operating & storage – 10%~90%, non-condensing   |
| <b>Regulatory</b>   | FCC, CE(EMC), VCCI Class B  |

### Options

|  |
|--|
| Wireless or Wireless and BT kit (2 Dipole ant)         |
| 2.5" SSD   |
| DC input power plug (black, 1.22m length)              |
| Stainless front bezel                                  |
| Change full flat resistive touch to P-cap touch (BKPT) |
| Sliver front bezel                                     |
| Chassis type housing                                   |

### Customization

|                                      |
|--------------------------------------|
| Open frame housing                   |
| Storage door Solution                |
| Sunlight readable optical bonding    |
| LCD Auto dimming                     |
| LCD Super dimming ( Low brightness ) |
| TPM                                  |



- ① RS232/422/485
- ② RS232 x 2
- ③ LAN x 2
- ④ Line out
- ⑤ Microphone-in
- ⑥ USB 3.0
- ⑦ USB 2.0 x 3
- ⑧ DVI-I output
- ⑨ Reset
- ⑩ DC-in
- ⑪ Power on/off

