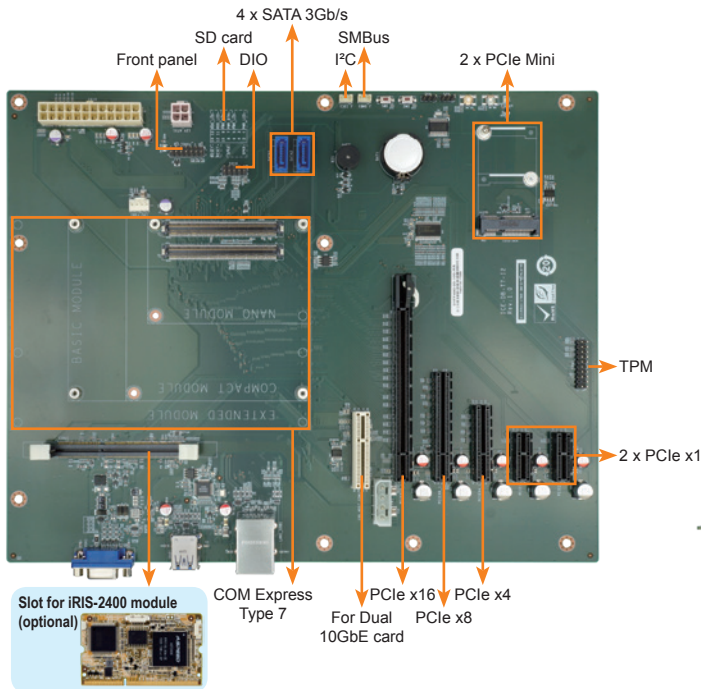


TYPE 7 ICE-DB-T7-i2

Base Board for COM Express Type 7 Module COM.0 Rev. 2.1

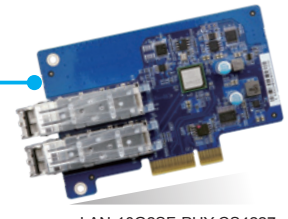
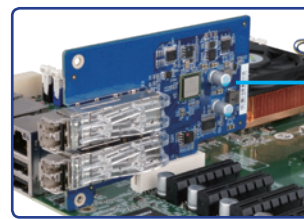
New



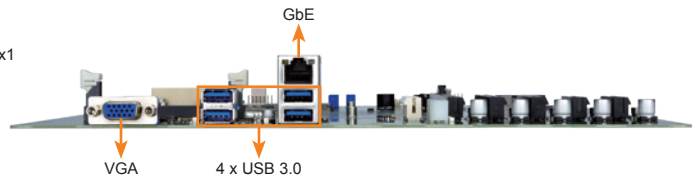
High-speed 10GbE Add-on Card Support

Integrated 10GbE LAN Interface

10GbE LAN card meets customer demand for high-speed internet



LAN-10G2SF-PHY-CS4227



TPM 1.2 Support

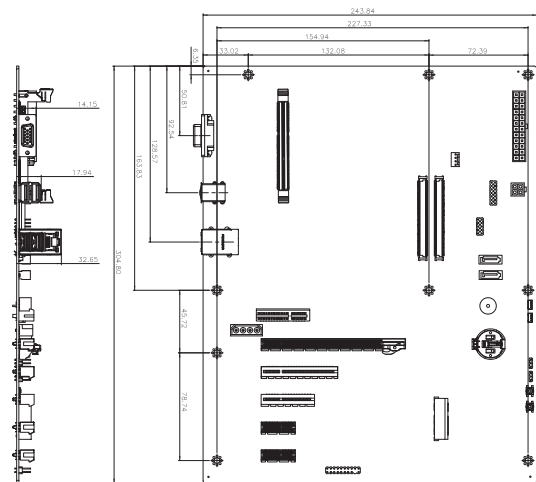
Specifications

- ◆ Form Factor
 - ATX form factor baseboard
- ◆ CPU
 - Supports COM Express Compact / Basic module using connector pinout Type 7
- ◆ Display Interfaces
 - 1 x VGA from iRIS-2400
- ◆ Expansion
 - 1 x PCIe x16 (x16 Gen 3 signal)
 - 1 x PCIe x8 (x8 Gen 3 signal)
 - 1 x PCIe x4 for 10GbE PHY card
 - 1 x PCIe x4 (x4 Gen 2 signal)
 - 1 x PCIe x4 (x1 Gen 2) (x4 signal option)
 - 2 x PCIe x1 (x1 Gen 2)
- ◆ Internal I/O Interface
 - 2 x RS-232 from COM Express (only TX, RX, GND)
 - 2 x RS-232 from SIO
 - 2 x SATA port
- ◆ Rear I/O Interface
 - 4 x USB 3.0
 - 1 x VGA
 - 1 x RJ-45 connector
- ◆ TPM
 - 1 x TPM (2x10 pin header)
- ◆ 80 port
 - 2 x 7 segment display
- ◆ Front Panel
 - 1 x Front_Panel (Power LED, HDD LED, Speaker (Buzzer), Power Button, Reset Button)
- ◆ iRIS Remote Management Module
 - 1 x iRIS-2400 slot
- ◆ I²C
 - 1 x I²C (1x4 pin wafer)
- ◆ SMBus
 - 1 x SMBus (1x4 pin wafer)
- ◆ Internal Storage
 - EEPROM (support EAP1 R1.0)
- ◆ Watchdog Timer
 - Software programmable, supports 1~255 sec system reset
- ◆ GPIO
 - 8-bit GPIO
- ◆ Power Supply
 - ATX / AT Power Supply
 - 24+4 pin
- ◆ Fan Connector
 - 1 x 4-pin / 1x 3 pin CPU module fan connector
 - 1 x 3-pin system fan connector by SIO
- ◆ Temperature
 - 40°C ~ 85°C
- ◆ Operating Humidity
 - 5% ~ 95%, non-condensing
- ◆ Dimensions
 - 304.8 mm x 243.8 mm (12" x 9.6")
- ◆ CE/FCC compliant

Features

- ATX form factor baseboard for COM.0 Rev. 3.0, pinout Type 7
- Support 1 x PCIe x8 for 10GbE PHY card
- Support 32 PCIe lanes
- Support PICMG EAP1 R1.0
- Support IPMI 2.0 via iRIS-2400 module

Dimensions (Unit: mm)



Packing List

1 x COM Express Baseboard	1 x Mini jumper pack
1 x SATA cable (P/N: 32000-062800-RS)	1 x QIG

Ordering Information

Part No.	Description
ICE-DB-T7-i2-R10	Baseboard for COM Express Type 7 Module COM.0 Rev. 2.1, support PICMG EAP1 R1.0, iRIS-2400
LAN-10G2SF-PHY-CS4227	10 GbE LAN card, dual port support, RoHS
iRIS-2400-R10	IPMI 2.0 adapter card with AST2400 BMC chip for DDR3 SO-DIMM socket interface

- Industrial Computing Solutions
- Video Capture Solutions
- Industrial System
- Industrial Computer Chassis
- Power Supply/Peripherals