

Rear Mount LCD

Rear Mount LCD

17"

Specifications



Model Name	S17L500-RMM1
Viewable Size Image	17"
Active Display Area(mm)	337.92(H)x270.336(V)
Pixel Pitch(mm)	0.264(H)x0.264(V)
Number of Pixels	1280x1024
Contrast Ratio	1000:1(typ.)
Display Color	16.7M
Brightness(cd/m ²)	300(typ.)
Viewing Angle(CR>=10)	-85~85(H);-80~80(V)
Synchronization Range	31.5~80.0KHz/60~75Hz
Horizontal/Vertical	
Recommended Resolution	1280x1024@60Hz, 75Hz
Signal Connector	15 pin D-Sub
Power Source	AC100~240V, Universal, ±10%
Power Consumption	25W typical, normal operation
Power Management	VESA DPMS Compliant
Plug & Play	VESA DDC 1/2B
Optional Video Input	S-Video, Composite
Optional DVI Input	Yes
Optional Touch Screen	Resistive, Capacitive, SAW, IR

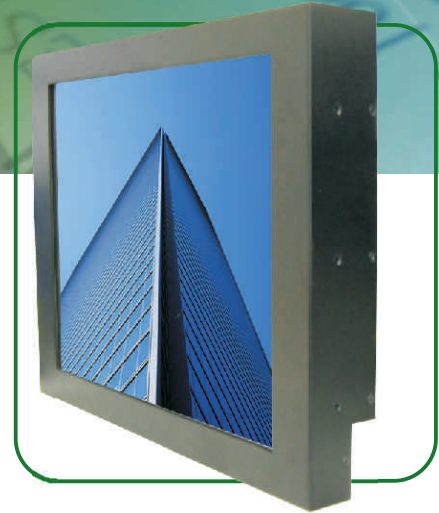
Remarks: S17L500 series= VGA input only

S17L540 series= VGA+Video Input

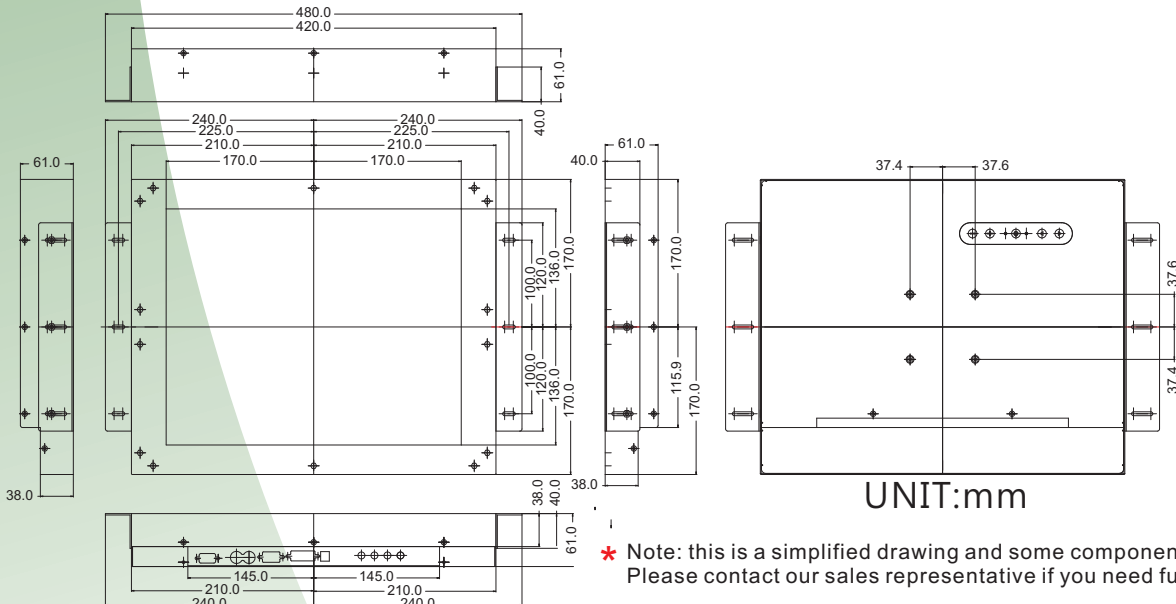
*R17 Dimension=530(W)x380(D)x60(H)

S17 Dimension=480(W)x340(D)x65(H)

UNIT:mm



Mechanical Drawing



Rev.	Reasons	Revised Date
1.1	Spec change	May-06-13