

Heavy Industrial Monitor

New

6.5"~24" DM-F IP65 Industrial Monitor



Features

- Robust IP65 aluminum front bezel
- Aesthetic ultra-thin bezel for seamless panel mount installation
- Wide range 9V~36V DC input
- HDMI / DisplayPort / VGA flexible video input solution
- Projected capacitive multi-touch and resistive single touch options
- Wide temperature support



Specifications

| Model | | DM-F65A | DM-F12A | DM-F15A | DM-F17A |
|--------------------------|---------------------------------------|---|--|--------------------|----------------------|
| LCD | LCD Display | 6.5" (4:3) | 12" (4:3) | 15" (4:3) | 17" (5:4) |
| | Max. Resolution | 640 (W) x 480 (H) | 1024 (W) x 768 (H) | 1024 (W) x 768 (H) | 1280 (W) x 1024 (H) |
| | Brightness (cd/m²) | 800 | 600 | 400 | 350 |
| | Contrast Ratio | 600:1 | 700 : 1 | 700 : 1 | 1000 : 1 |
| | LCD Color | 16.2M | 16.2M | 16.2M | 16.7M |
| | Pixel Pitch (mm) | 0.207 x 0.207 | 0.24 x 0.24 | 0.29 x 0.29 | 0.26 x 0.26 |
| | Viewing Angle (H-V) | 160° / 140° | 160° /140° | 160° / 140° | 170° / 160° |
| Backlight MTBF (Hrs) | 50000 | 50000 | 50000 | 50000 | |
| Touchscreen & Controller | | 5-wire resistive single touch window/ Penmount 6000 | R5-wire resistive single touch window/ Penmount 6000 2-point projected capacitive touch window/ EETI EXC7200 | | |
| I/O Ports | | 1 x VGA (DB-15) 1 x DVI 1 x USB 2.0 (touch) 1 x RS-232 (reserved for resistive touch ATO) 1 x Lockable 12V DC jack | 1 x VGA (DB-15) 1 x HDMI 1 x DisplayPort 1.1 1 x USB 2.0 (touch) 1 x RS-232 (reserved for resistive touch ATO) 1 x Lockable 9V-36V DC jack 1 x 9V-36V terminal block | | |
| OSD | OSD Button | 5-key membrane OSD keypad | 7-key membrane OSD keypad | | |
| | Smart OSD Software | Smart OSD Software | Smart OSD Software | | |
| Physical | Construction Material | Aluminum front frame and sheet metal rear cover | Aluminum front frame and sheet metal rear cover | | |
| | Mounting | Panel Mount/ Rack Mount 75 x 75 VESA Mount | Panel Mount/ Rack Mount/ 100 x 100 VESA Mount | | |
| | Enclosure Color | | Black C | | |
| | Dimensions (mm) | 191.8 x 154.36 x 42.88 | 262.2 x 322.2 x 40.5 | 303 x 378.5 x 43.2 | 341.4 x 408.4 x 49.3 |
| | Cutout Dimensions (mm) | 180 x 140 | 244.8 x 304.8 | 285.6 x 361.1 | 324 x 391 |
| | Weight (Net/Gross) | 1 / 1.9 | 2.7 / 4.9 | 3.5 / 5.5 | 4.4 / 7.1 |
| Environment | Operating Temperature (with air flow) | | -20°C ~ 60°C | | |
| | Storage Temperature | | -20°C ~ 70°C | | |
| | Humidity | | 10% to 95% (non-condensing) | | |
| | IP Level | | IP 65 compliant front panel | | |
| | Safety and EMC | | CE & FCC certified | | |
| Power | Power Adapter | 63040-010036-121-RS | 60W 12V output with lockable jack (63040-010060-120-RS , optional) | | |
| | Power Input | 12V DC | 9V~36V DC | | |

DM-F series-2014-V14

DM-F19A

19" DM-F IP65 Industrial Monitor



DM-F22A

22" DM-F IP65 Industrial Monitor



DM-F24A

24" DM-F IP65 Industrial Monitor



Features

- Robust IP65 aluminum front bezel
- Aesthetic ultra-thin bezel for seamless panel mount installation
- Wide range 9V~36V DC input
- HDMI / DisplayPort / VGA flexible video input solution
- Projected capacitive multi-touch and resistive single touch options
- Wide temperature support

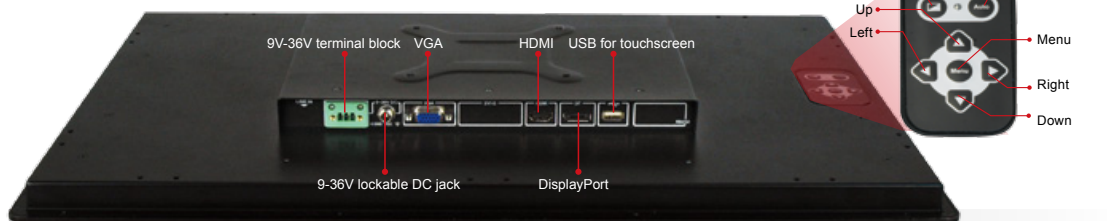
| Model | | DM-F19A | DM-F22A | DM-F24A |
|--------------------------|---------------------------------------|--|--|--|
| LCD | LCD Display | 19" (4:3) | 21.5" (16:9) | 24" (16:9) |
| | Max. Resolution | 1280 (W) x 1024 (H) | 1920 (W) x 1080 (H) | 1920 (W) x 1080 (H) |
| | Brightness (cd/m²) | 350 | 250 | 250 |
| | Contrast Ratio | 1000 : 1 | 1000 : 1 | 3000 : 1 |
| | LCD Color | 16.7M | 16.7M | 16.7M |
| | Pixel Pitch (mm) | 0.294 x 0.294 | 0.25 x 0.25 | 0.28 x 0.28 |
| | Viewing Angle (H-V) | 170° / 160° | 170° / 160° | 178°/178° |
| | Backlight MTBF (Hrs) | 50000 | 30000 | 30000 |
| Touchscreen & Controller | | 5-wire resistive single touch window/ Penmount 6000 2-point projected capacitive touch window/ EETI EXC7200 | 2-point projected capacitive touch window/ EETI EXC7200 | 2-point projected capacitive 2-point touch window/ EETI EXC7200 |
| I/O Ports | | 1 x VGA (DB-15) 1 x HDMI 1 x DisplayPort 1.1 1 x USB 2.0 (touch) 1 x RS-232 (reserved for resistive touch ATO) 1 x Lockable 9V-36V DC jack 1 x 9V-36V terminal block | | |
| OSD | OSD Button | 7-key membrane OSD keypad | | |
| | Smart OSD Software | Smart OSD Software | | |
| Physical | Construction Material | Aluminum front frame and sheet metal rear cover | | |
| | Mounting | Panel Mount 100 x 100 VESA Mount | Panel Mount/ 100 x 100 VESA Mount | |
| | Enclosure Color | Black C | | |
| | Dimensions (mm) | 372.4 x 447.4 x 49.57 | 358.4 x 550.4 x 49.1 | 382 x 600 x 49.4 |
| | Cutout Dimensions (mm) | 428 x 353 | 340 x 532 | 358.6 x 576.6 |
| | Weight (Net/Gross) | 5.4 /8.4 | 6.3 / 9.6 | 7.6 / 10.9 |
| Environment | Operating Temperature (with air flow) | -20°C ~ 60°C | -10°C ~ 50°C | |
| | Storage Temperature | -20°C ~ 70°C | -20°C ~ 60°C | |
| | Humidity | 10% to 95% (non-condensing) | | |
| | IP Level | IP 65 compliant front panel | | |
| | Safety and EMC | CE & FCC certified | | |
| Power | Power Adapter | 60W 12V output with lockable jack (63040-010060-120-RS , optional) | | |
| | Power Input | 9V~36V DC | | |



DM-F65A



DM-F12A/15A



DM-F17A/19A/22A/24A

Options

| Item | DM-F65A | DM-F12A | DM-F15A | DM-F17A | DM-F19A | DM-F22A | DM-F24A |
|------------------------|-----------------|-------------------------------|--|--|--|--|--|
| Power Adapter | N/A | 63040-010060-120-RS | | | | | |
| Arm | N/A | ARM-11-RS | ARM-31-RS | ARM-31-RS | ARM-31-RS | ARM-31-RS | ARM-31-RS |
| Stand | STAND-B08 | STAND-A12-RS STAND-C12-R10 | STAND-A19-RS STAND-C19-R10 STAND-A21-R10 | STAND-A19-RS STAND-C19-R10 STAND-A21-R10 | STAND-A19-RS STAND-C19-R10 STAND-A21-R10 | STAND-A19-RS STAND-C19-R10 STAND-A21-R10 | STAND-A19-RS STAND-C19-R10 STAND-A21-R10 |
| Wall Mount Kit | AFLWK-12 | WK-190MS-R10 | | | | | |
| Panel Mount Kit | FPK-04-R10 | FPK-01-R10 | FPK-01-R10 | FPK-01-R10 | FPK-02-R10 | FPK-02-R10 | FPK-03-R10 |
| Rack Mount Kit | FRK65-R10 | FRK12-R10 | FRK15-R10 | FRK17-R10 | FRK19-R10 | N/A | |
| Cable Cover | N/A | N/A | DM-F-CC01-R10 | | | DM-F-CC02-R10 | |
| RS-232 Touch Cable Kit | DM-F-COMKIT-R10 | | | | | | N/A |
| HDMI Cable | N/A | 32012-000100-200-RS | | | | | |
| DisplayPort Cable | N/A | 32004-000200-100-RS | | | | | |

Packing List

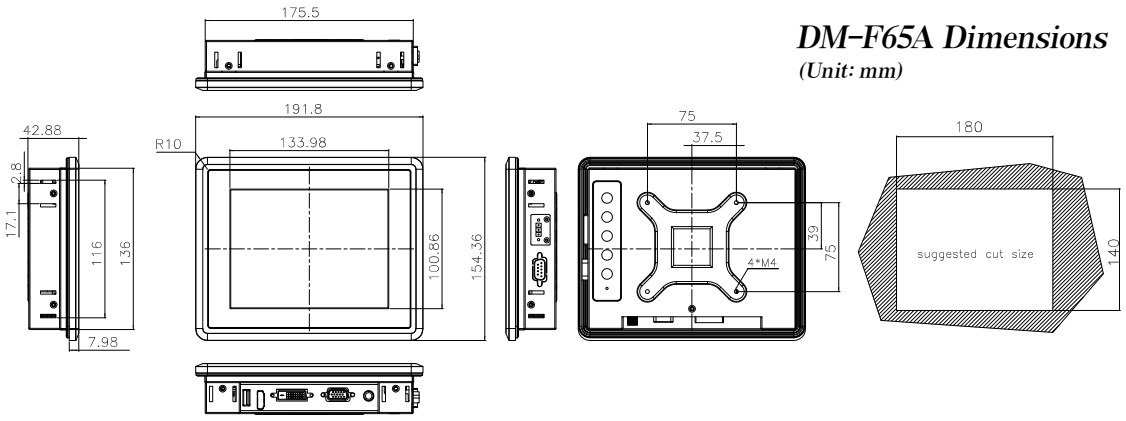
| Item | P/N | Q'ty | Description |
|------------|---------------------|------|-------------------------|
| Utility CD | | 1 | Drivers and user manual |
| Touch Pen | 43125-0002C0-00-RS | 1 | Resistive touch only |
| USB Cable | 32001-006100-100-RS | 1 | For touchscreen |
| VGA Cable | 32000-036200-RS | 1 | |

Ordering Information

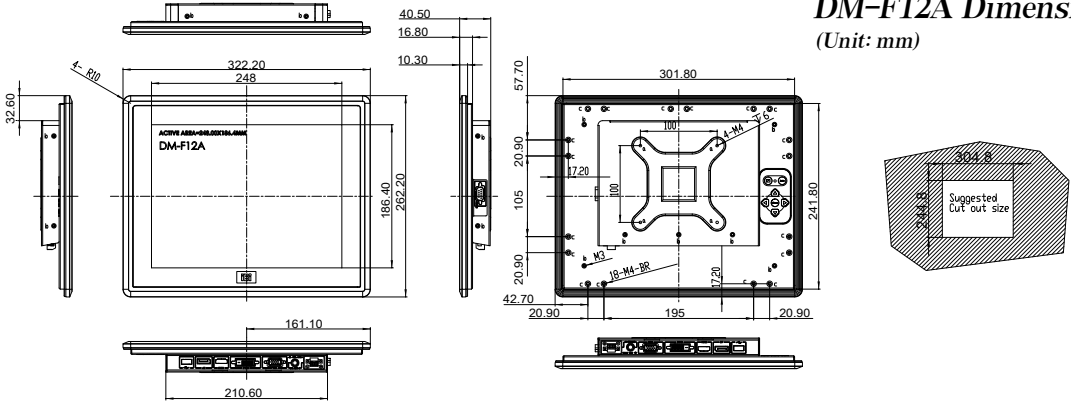
| PN | Description |
|----------------|--|
| DM-F65A/R-R10 | 6.5" 800 cd/m ² high-luminance VGA LCD monitor with aluminum die casting front panel, black color, USB resistive touchscreen, R10 |
| DM-F12A/R-R11 | 12" 600 cd/m ² XGA LCD monitor, aluminum front panel, black color, W/ USB resistive touchscreen, 9 ~36V DC input, R11 |
| DM-F12A/PC-R11 | 12" 600 cd/m ² XGA LCD monitor, aluminum front panel, black color, W/ USB projected capacitive touchscreen, 9 ~36V DC input, R11 |
| DM-F15A/R-R11 | 15" 400 cd/m ² XGA LCD monitor, Aluminum front panel, black color, W/ USB resistive touchscreen, 9 ~36V DC input, R11 |
| DM-F15A/PC-R11 | 15" 400 cd/m ² XGA LCD monitor, aluminum die casting front panel, black color, W/ USB projected capacitive touchscreen, 9 ~36V DC input, R11 |
| DM-F17A/R-R11 | 17" 350 cd/m ² SXGA LCD monitor, aluminum front panel, black color, W/ USB resistive touchscreen, 9 ~36V DC input, R11 |
| DM-F17A/PC-R11 | 17" 350 cd/m ² SXGA LCD monitor, aluminum front panel, black color, W/ USB projected capacitive touchscreen, 9 ~36V DC input, R11 |
| DM-F19A/R-R10 | 19" 250 cd/m ² SXGA LCD monitor, aluminum die casting front panel, black color, W/ USB resistive touchscreen, 9 ~36V DC input, R10 |
| DM-F19A/PC-R10 | 19" 250 cd/m ² SXGA LCD monitor, aluminum die casting front panel, black color, W/ USB projected capacitive touchscreen, 9 ~36V DC input, R10 |
| DM-F22A/PC-R11 | 21.5" 250 cd/m ² FHD LCD monitor, aluminum front panel, black color, W/ USB projected capacitive touchscreen, 9 ~36V DC input, R11 |
| DM-F24A/PC-R10 | 24" 250 cd/m ² FHD LCD monitor, aluminum front panel, black color, W/ USB projected capacitive touchscreen, 9 ~36V DC input, R10 |

DM-F series-2014-V12

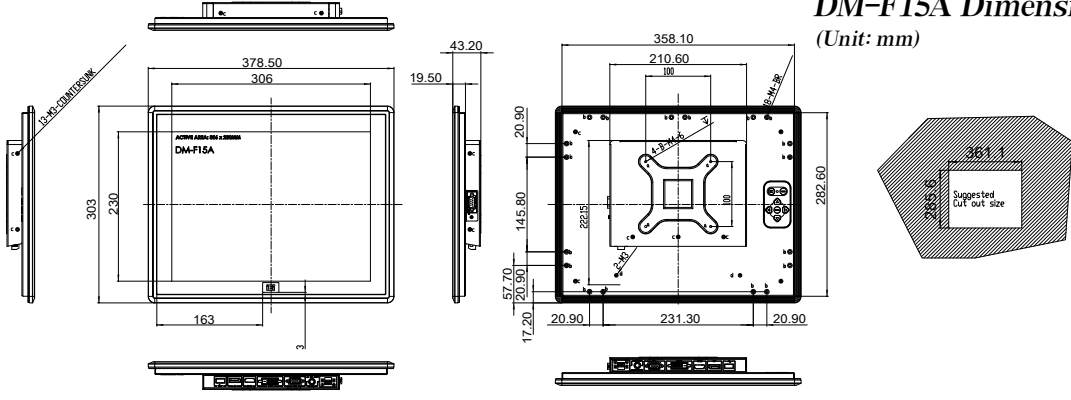
DM-F65A Dimensions (Unit: mm)



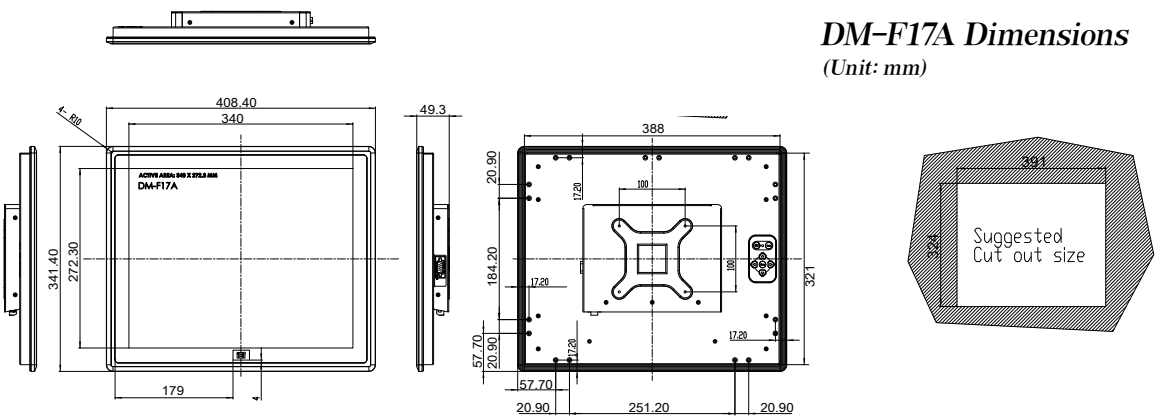
DM-F12A Dimensions (Unit: mm)



DM-F15A Dimensions (Unit: mm)

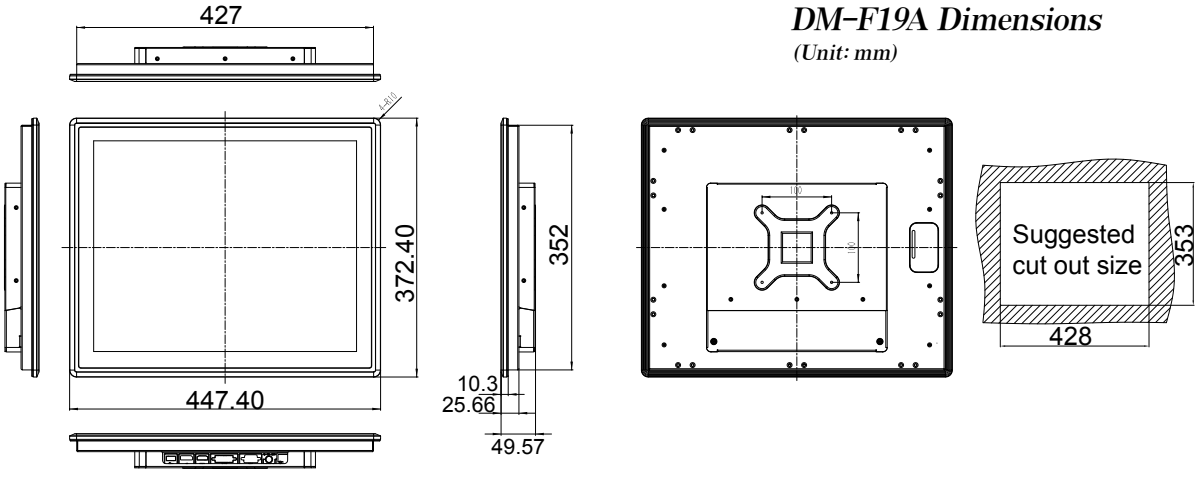


DM-F17A Dimensions (Unit: mm)



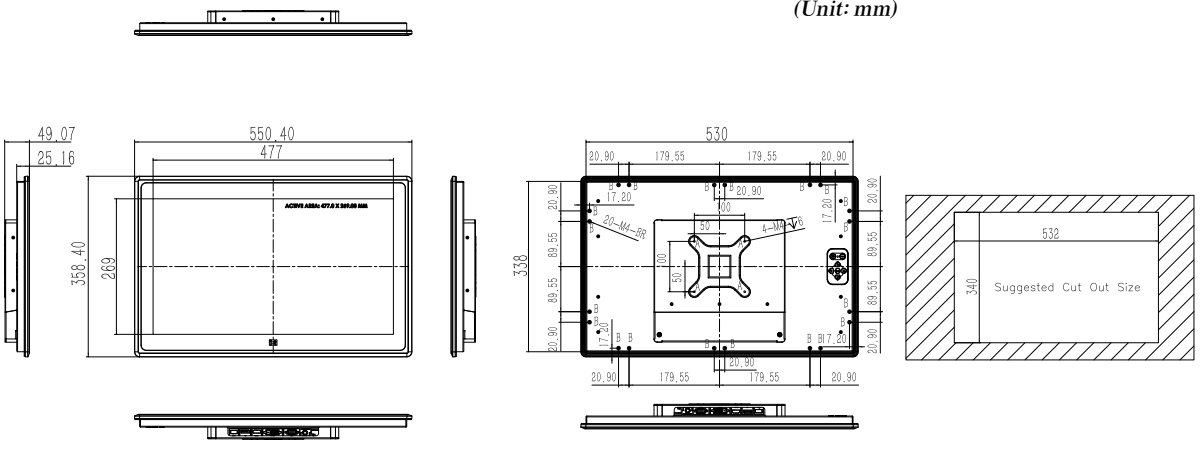
DM-F19A Dimensions

(Unit: mm)



DM-F22A Dimensions

(Unit: mm)



DM-F24A Dimensions

(Unit: mm)

