



BRINGING THE EDGE TO LIFE

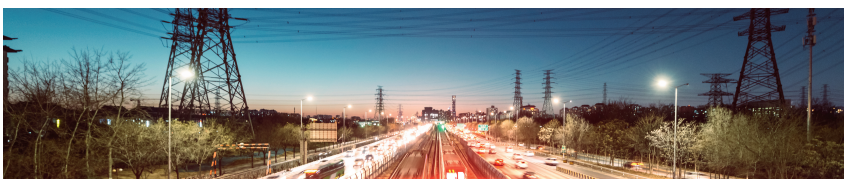
RUGGEDCOM RPS2410

The increasing adoption of Power-over-Ethernet (PoE) in industrial IoT applications underlines the need for reliable and compact solutions to supply power at the edge. The RUGGEDCOM RPS2410 600 W rugged power supply is designed to meet the high-power demands of physical security, access control, wireless connectivity, lighting, and other PoE applications.

The perfect companion

Use the RUGGEDCOM RPS2410 1U rack-mount power supply to power the RUGGEDCOM RST2228P 19-inch rack PoE switch. The RUGGEDCOM RST2228P has 24 PoE ports delivering up to 60 W/port. Its high port density ensures PoE power management and connectivity to a large number of end devices such as PTZ cameras, wireless radio access points, VoIP phones, sensors, key-less access terminals, etc. It supplies sufficient power to prevent under-powering and overloading, increasing the safety and reliability of the entire network.

The RUGGEDCOM RPS2410 with the RST2228P provides a small footprint, high-power PoE solution. It can be easily integrated into rack- or panel-mount assemblies for low-profile installations and helps save on cabling, maintenance, and material costs. Power delivery across an operating temperature range of -40 °C to +75 °C and industrial approvals such as the NEMA TS 2 make this pair ideal for ITS networks and other industries experiencing harsh conditions.



Reliable

Wide operating temperature range and **fan-less design** eliminate risk of mechanical failure. Parallel output operation for redundant power improves overall reliability

Flexible

Wide range of DC (150 – 250) and HI AC (120 – 240) inputs help avoid intermediate power converters and additional capital expenditure

Compact

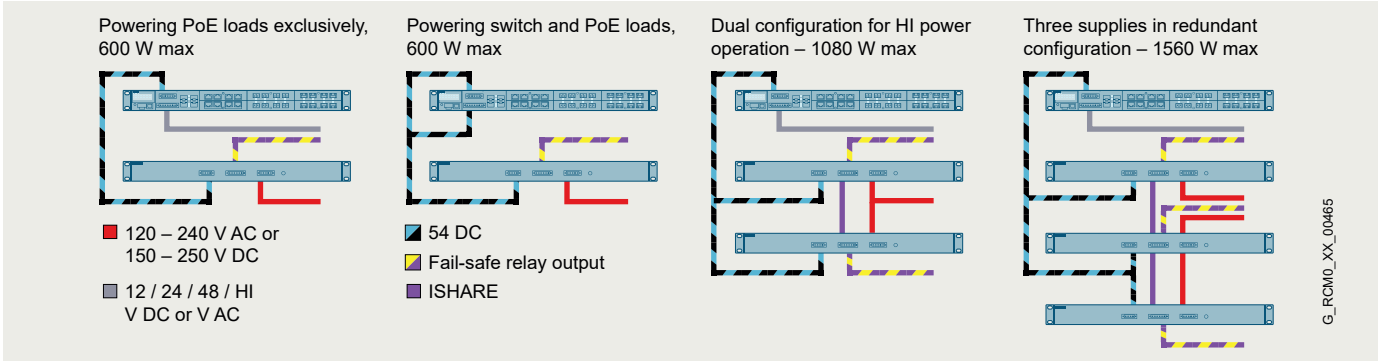
1U rack form-factor with standard mounting options supplying up to 600 W makes for a space-economizing network solution

Scalable

Connect up to three devices in parallel using the **ISHARE** feature, to supply up to 1560 W power

Efficient

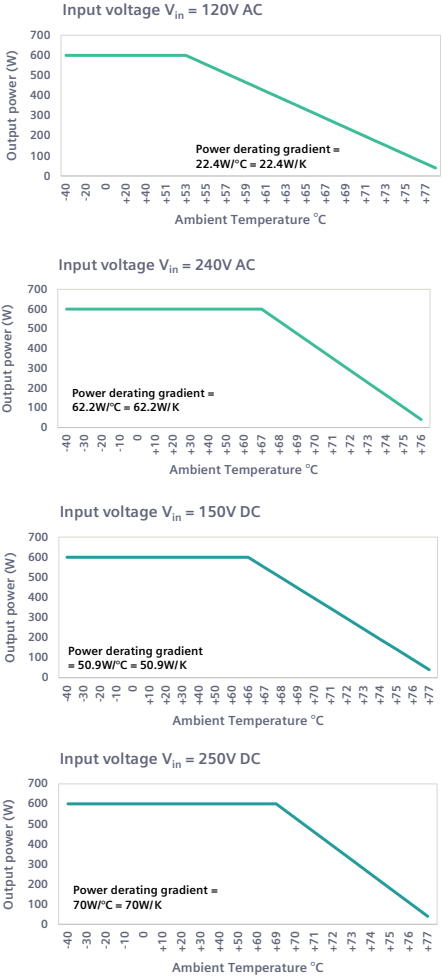
Diagnostic LEDs for system health and **failsafe relay output** for remote alarm monitoring simplify troubleshooting in the field



G_RCM0_XX_00465

Output power vs. ambient temperature

Air flow 0.27 m/s (400 cfm)



[siemens.com/rps2410/](https://www.siemens.com/rps2410/)

	Parameters	RUGGEDCOM RPS2410
Electrical data/ Input	Supply voltage (AC)	120 V AC to 240 V AC
	Supply voltage (DC)	150 V DC to 250 V DC
	Design of input/wide input range	Yes
	Buffering time for rated value of the output current/in the event of power failure/minimum	20 ms
Electrical data/ Output	Current limitation/of inrush current/at 25 °C/max	25 A
	Fuse protection type/at input	12
	Voltage curve/at output	54 V DC
	Output current * rated value	11.1 A
Output power for different input voltages <small>(Refer adjacent Output power vs. Ambient temperature graphs)</small>	Supplied active power/max	600 W (Standalone), 1080 W (Two devices), 1560 W (Three devices)
	120 V AC input	600 W, -40 °C to +53 °C
	240 V AC input	600 W, -40 °C to +67 °C,
	150 V DC input	600 W, -40 °C to +66 °C,
Ambient conditions	250 V DC input	600 W, -40 °C to +69 °C,
	Operating temperature	-40 °C to +75 °C
	Storage temperature	-40 °C to +85 °C
	Protection Class	IP40
Electrical interfaces	Power supply	1 x Input, 1 x Output, 2 x ISHARE
	Signaling contacts	1 x NO, 1 x C, 1 x NC Relay Output
Physical attributes	Dimensions (W x H x D) in mm	440 x 51.5 x 267.5
	Weight (approx.)	2.8 kg
	Fastening method	19-inch rack and panel mounting
Ordering Data	RUGGEDCOM RPS2410 600 W rack-mount power supply	6GK6000-8HS02-0AA0
	RUGGEDCOM RPS2410 600 W rack-mount power supply with conformal coating	6GK6000-8HS02-0AA1
	Accessories: Mounting Kit for 19" rack- or panel-mounting, compatible with the RST2228, RST2228P, and RPS2410	6GK6000-8MA01-0AA0

Siemens AG
Process Industries and Drives
Process Automation
Postfach 48 48
90026 Nürnberg, Germany

Siemens Canada Limited 300
Applewood Crescent Concord,
Ontario, L4K 5C7 Canada

© Siemens AG 2021
Subject to change without prior notice
Article No. 6ZB5531-0BC02-0BA0
Dispo 26000
BR1221 0 PoD 2 En
Produced in Germany

Security information
In order to protect plants, systems, machines and networks against cyber threats, it is necessary to implement – and continuously maintain – a holistic, state-of-the-art industrial security concept. Siemens' products and solutions constitute one element of such a concept. For additional information on industrial security measures that may be implemented, please visit:
www.siemens.com/industrialsecurity

Subject to changes and errors. The information given in this document only contains general descriptions and/or performance features which may not always specifically reflect those described, or which may undergo modification in the course of further development of the products. The requested performance features are binding only when they are expressly agreed upon in the concluded contract.

All product designations may be trademarks or product names of Siemens AG or supplier companies whose use by third parties for their own purposes could violate the rights of the owners.