

M-7064

M-7064D

8-channel Signal Relay Output Module

Features

- 8 Form A Signal Relay Output Channels
- Dual Watchdog
- 8 kV ESD Protection
- ±4 kV EFT Protection
- ±3 kV Surge Protection
- Configurable Power-on Value Settings
- Configurable Safe Value Settings
- Wide Operating Temperature Range: -25 to +75°C



Introduction

The M-7064 module provides 8 Form A signal relay output channels. The M-7064D module includes 8 LED indicators that can be used to monitor the status of the relay output, and options are provided that allow power-on and safe Relay Output values to be configured. 8 kV ESD, 4 kV EFT and 3 kV surge protection are also provided to enhance noise protection capabilities in industrial environments, making the M-7064(D) an ideal solution for small signal switching applications.

System Specifications

Model	M-7064	M-7064D
Communication		
Interface	RS-485	
Bias Resistor	No (Usually supplied by the RS-485 Master. Alternatively, add a tM-SG4 or SG-785.)	
Format	(N, 8, 1), (N, 8, 2), (E, 8, 1), (O, 8, 1)	
Baud Rate	1200 to 115200 bps	
Protocol	Modbus RTU, DCON	
Dual Watchdog	Yes, Module (1.6 Seconds), Communication (Programmable)	
LED Indicators/Display		
System LED Indicator	Yes, 1 as Power/Communication Indicator	
I/O LED Indicators	-	Yes, 8 LEDs as Relay Output Indicators
7-segment LED Display	-	
Isolation		
Intra-module Isolation, Field-to-Logic	2000 Vdc	
EMS Protection		
ESD (IEC 61000-4-2)	±8 kV Contact for each Terminal	
	±16 kV Air for Random Point	
EFT (IEC 61000-4-4)	±4 kV for Power Line	
Surge (IEC 61000-4-5)	±3 kV for Power	
Power		
Reverse Polarity Protection	Yes	
Input Range	+10 ~ +30 Vdc	
Consumption	1.5 W (Max.)	1.6 W (Max.)
Mechanical		
Dimensions (L x W x H)	123 mm x 72 mm x 35 mm	
Installation	DIN-Rail or Wall Mounting	
Environment		
Operating Temperature	-25 to +75°C	
Storage Temperature	-40 to +85°C	
Humidity	10 to 95% RH, Non-condensing	

Applications

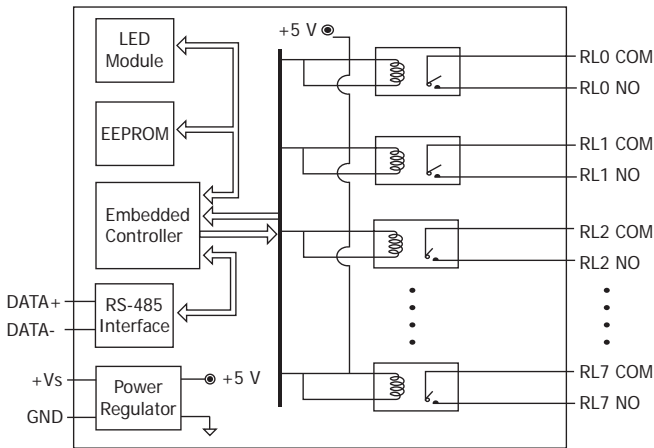
- Building Automation
- Machine Automation
- Remote Diagnosis
- Factory Automation
- Remote Maintenance
- Testing Equipment

I/O Specifications

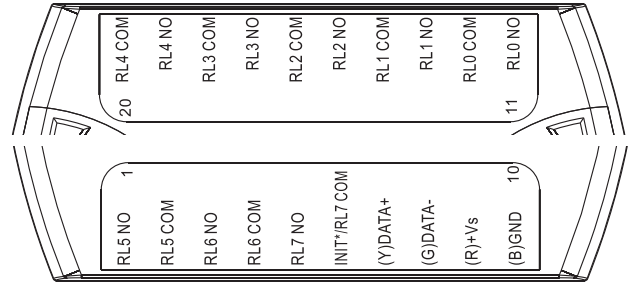
Model	M-7064	M-7064D
Relay Output		
Channels	8 x Form A	
Relay Type	Signal Relay	
Form A	Contact Rating	2 A @ 30 Vdc 0.24 A @ 220 Vdc 0.25 A @ 250 Vac
	Min. Contact Load	10 mA @ 20 mV
	Contact Material	Silver Nickel, Gold-covered
	Operate Time	3 ms (typical)
	Release Time	4 ms (typical)
	Mechanical Endurance	10 ⁸ ops
Electrical Endurance	2 X 10 ⁵ ops	
Surge Strength	2000 Vdc	
Power-on Value	Yes	
Safe Value	Yes	

M-7064(D)

Internal I/O Structure



Pin Assignments



Wire Connections

Output Type	ON State Readback as 1	OFF State Readback as 0
Relay Output RL0 ~ RL6		
Relay Output RL7		

For RL7, the JP5 jumper can be moved to the INIT* Mode position (connecting pins 1 and 3) or the RL7 COM Mode position (connecting pins 1 and 4).

Ordering Information

M-7064 CR	8-channel Form A Signal Relay Output Module (Gray Cover) (RoHS)
M-7064D CR	M-7064 with LED Display (Gray Cover) (RoHS)

Accessories

	tM-7520U CR	RS-232 to RS-485 Converter (RoHS)
	tM-7561 CR	USB to RS-485 Converter (RoHS)
	I-7514U CR	4-channel RS-485 Hub (RoHS)
	SG-3000 Series	Signal Conditioning Modules for Thermocouple, RTD, DC Voltage, DC Current and Power Input Transformers

M-7064(D)