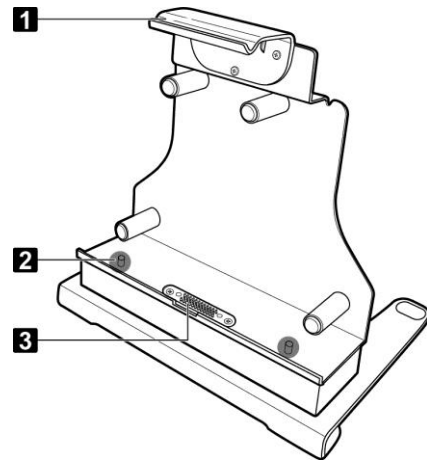


R11 Office Dock

Product Overview

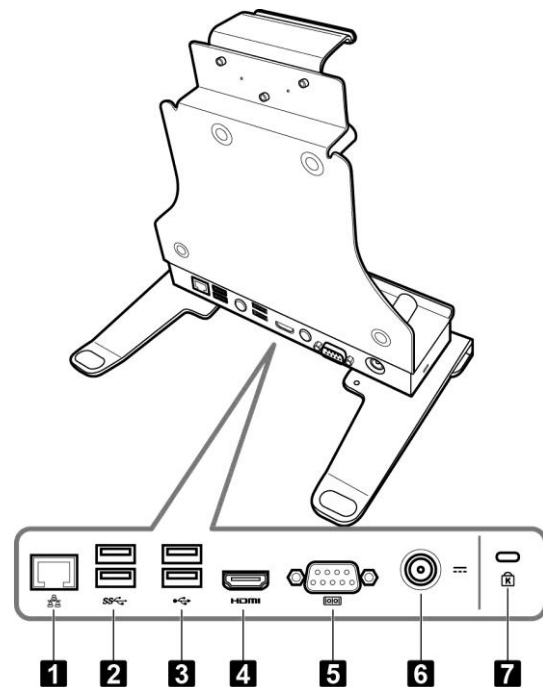
No.	Item
1	Latch
2	Alignment port (x2)
3	Docking connector

Front



No.	Item
1	LAN (RJ-45) port
2	USB3.0 port (x2)
3	USB2.0 port (x2)
4	HDMI port
5	Serial port (RS-232)
6	DC-in jack *
7	Kensington lock slot

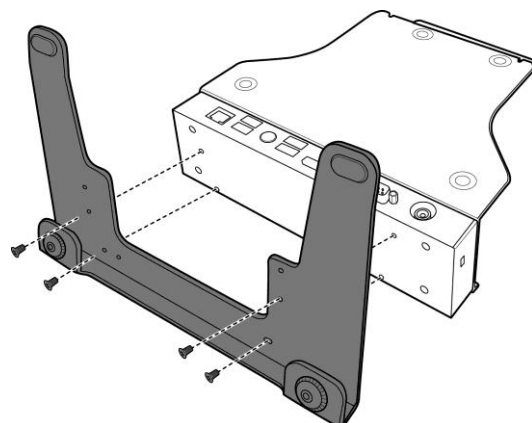
Rear



*Please contact dealer for appropriate adapter.

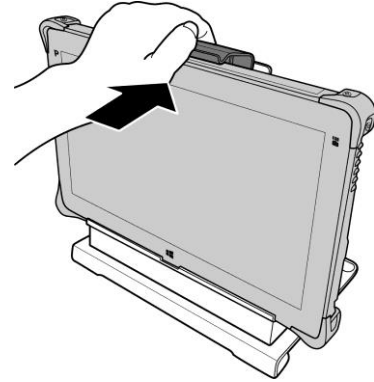
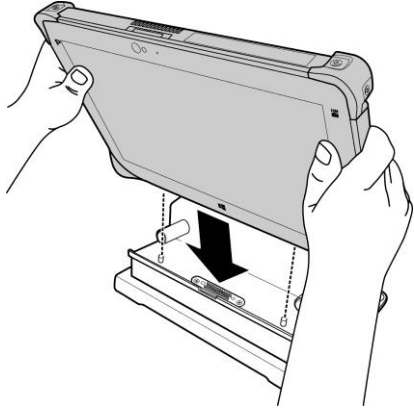
Installing the Stand

Align the stand holes with the holes at the bottom of the docking cradle as shown in the illustration. Then secure it with the four supplied screws.

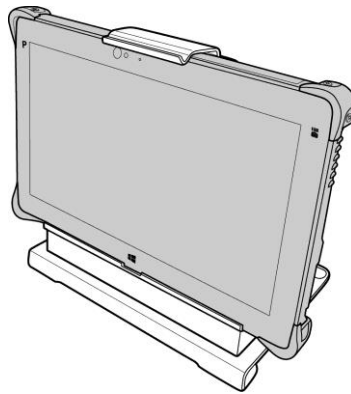


Docking the R11 Tablet PC

1. With screen side facing out and docking connector down, install the R11 tablet PC into the alignment ports on docking cradle.
2. Using one hand, carefully push the top of the R11 tablet PC backward until the latch is fully engaged.



3. Ensure the R11 tablet PC is tightly secured to the docking cradle.



Undocking the R11 Tablet PC

1. While pushing the latch upward, pull the R11 tablet PC forward until the latch is fully disengaged.
2. Remove the R11 tablet PC from the docking cradle.

