



# PISO-A64U Quick Start

v1.0, October 2017

## What's in the box?

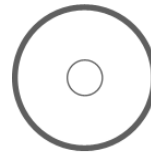
The package includes the following items:



PISO-A64U x1



Quick Start x1  
(This Document)



Software Utility CD x1  
(V6.7 or later)



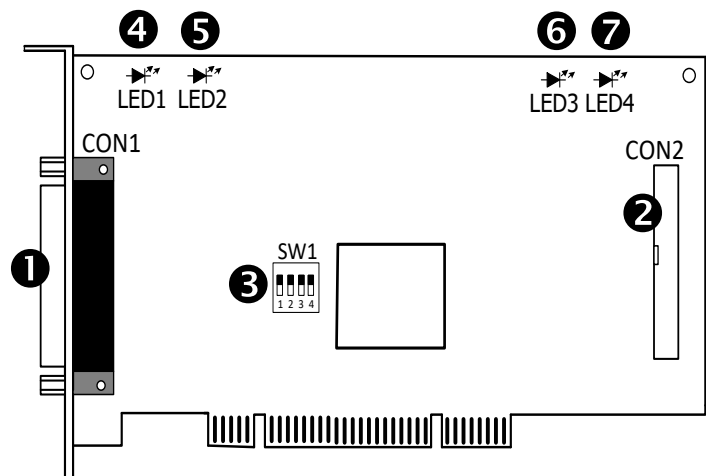
CA-4037B Cable x1



CA-4002 D-Sub  
Connectors x2

# 1 Appearance

1. **CON1**: DO channel 0~31
2. **CON2**: DO channel 32~63
3. **SW1**: Card ID Settings
4. **LED1**: DO0~15 Power indicator
5. **LED2**: DO16~31 Power indicator
6. **LED3**: DO32~47 Power indicator
7. **LED4**: DO48~63 Power indicator



# 2 Installing Windows Driver

1) Setup the Windows driver. The driver is located at:

<input checked="" type="checkbox"/>	The UniDAQ driver supports 32-/64-bit Windows XP/2003/Vista/7/8/10; it is recommended to install this driver for new user: CD: \NAPDOS\PCI\UniDAQ\DLL\Driver <a href="http://ftp.icpdas.com/pub/cd/iocard/pci/napdos/pci/unidaq/dll/driver/">http://ftp.icpdas.com/pub/cd/iocard/pci/napdos/pci/unidaq/dll/driver/</a>
<input type="checkbox"/>	The PISO-DIO Series classic driver supports Windows 98/NT/2K and 32-bit XP/ 2003/ Vista/7/8/10. Recommended to install this driver for have been used PISO-DIO series boards of regular user, please refer to : <a href="http://ftp.icpdas.com/pub/cd/iocard/pci/napdos/pci/piso-dio/manual/quicks tart/classic/">http://ftp.icpdas.com/pub/cd/iocard/pci/napdos/pci/piso-dio/manual/quicks tart/classic/</a>

- 2) Click the “**N**ext>” button to start the installation.
- 3) Check your DAQ Card is or not on supported list, then click the “**N**ext>” button.
- 4) Select the installed folder, the default path is **C:\ICPDAS\UniDAQ** , confirm and click the “**N**ext>” button.
- 5) Check your DAQ Card on list, then click the “**N**ext>” button.
- 6) Click the “**N**ext>” button on the Select Additional Tasks window.
- 7) Click the “**N**ext>” button on the Download Information window.
- 8) Select “**No, I will restart my computer later**” and then click the “**F**inish” button.

---

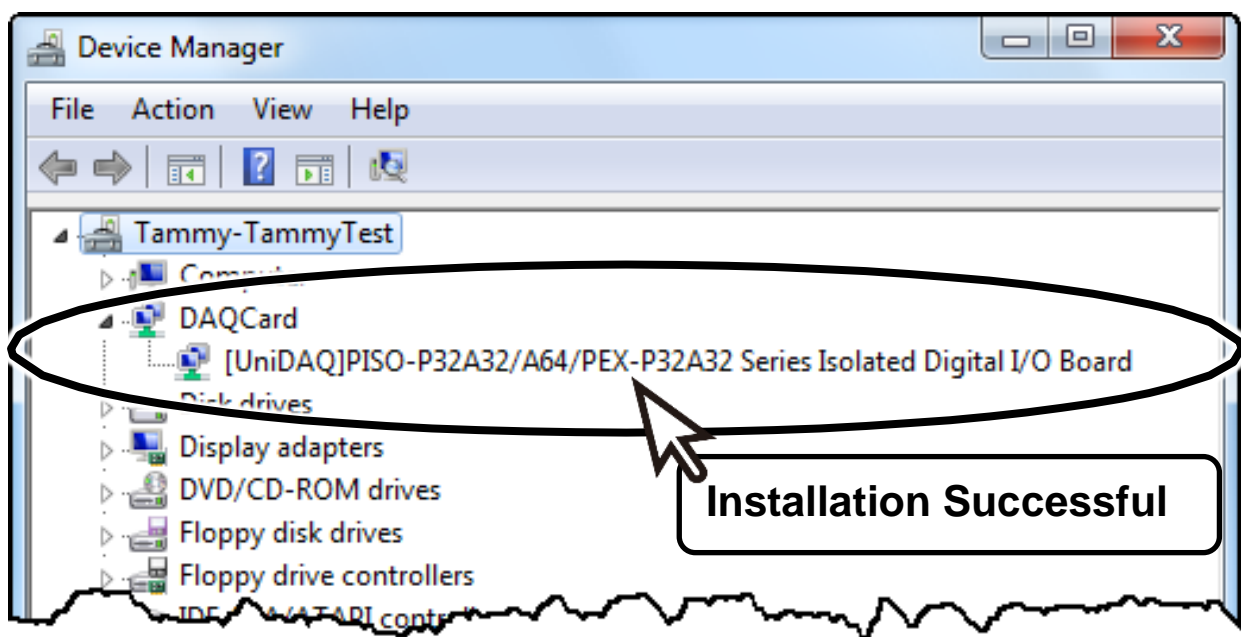
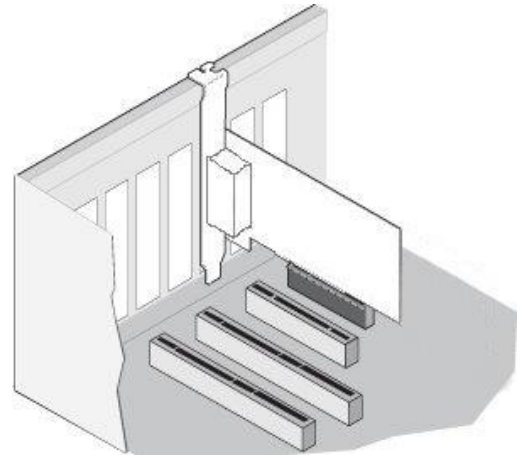
**Note:** For more detailed information about how to install the UniDAQ driver, refer to “Section 2.2 Install UniDAQ Driver DLL” of the **UniDAQ Software Manual**, which can be found in the \NAPDOS\PCI\UniDAQ\Manual\ folder on the companion CD, or can be downloaded from:

<http://ftp.icpdas.com/pub/cd/iocard/pci/napdos/pci/unidaq/manual/>

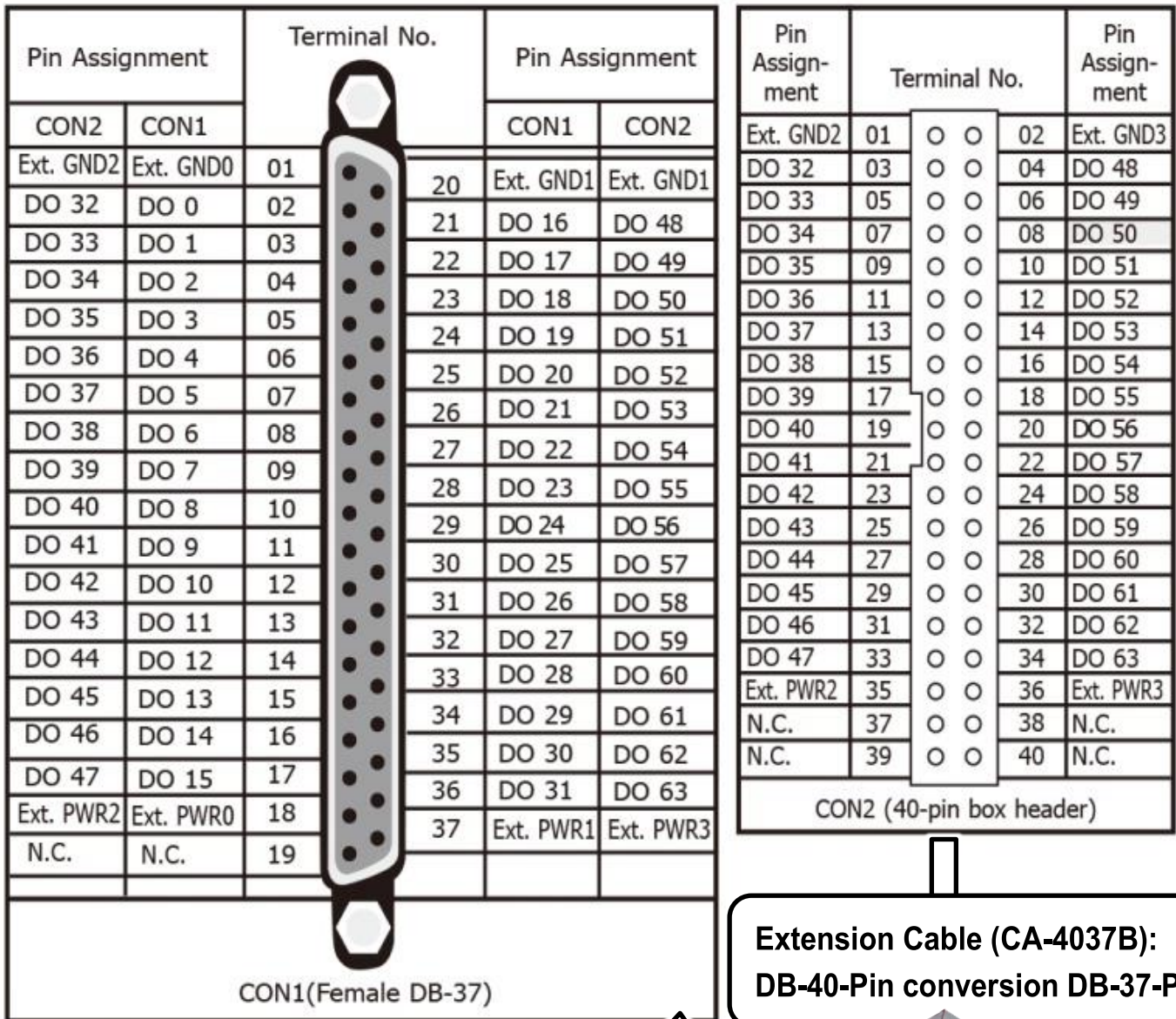
---

# 3 Installing Hardware on PC

- 1) Shut down and power off your computer.
- 2) Remove the cover from the computer.
- 3) Select an unused PCI bus slot.
- 4) Carefully insert your I/O card into the PCI bus slot.
- 5) Replace the PC cover.
- 6) Power on the computer.
- 7) Follow the prompt message to finish the Plug & Play steps.
- 8) Please open the “**Device Manager**” to verify the I/O card is correctly listed in the Device Manager.

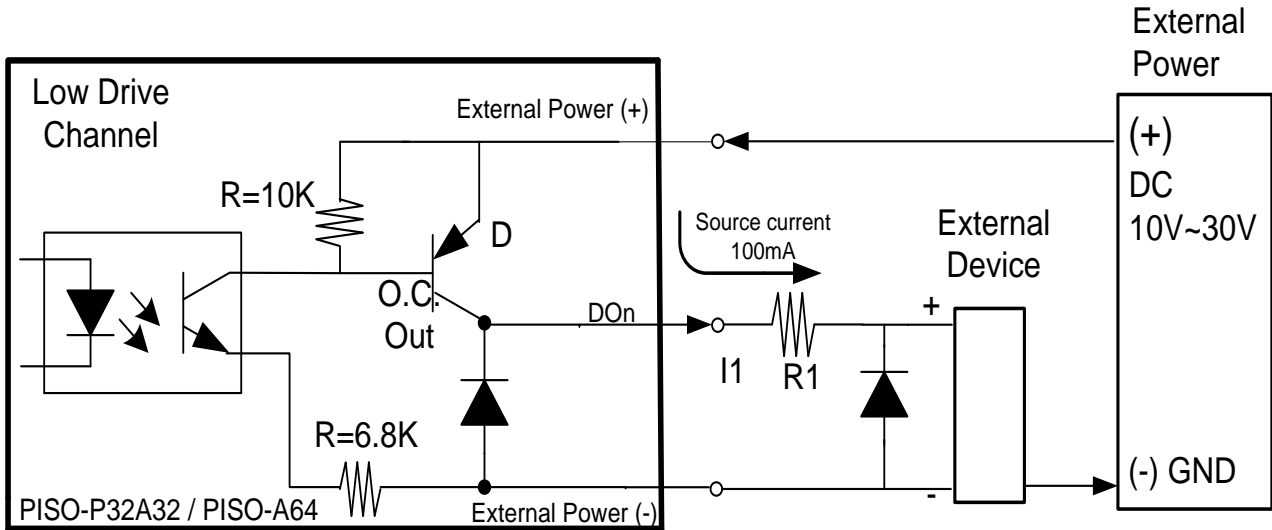


# 4 Pin Assignments



# 5 Wiring Note

The wiring note of the PISO-A64U is illustrated in the figure below:



✳️Recommend: It is necessary to connect a diode in the external device end as means of preventing damage from the counter emf. If your external device is inductive Load, Ex. Relay...

---

**Note:** To prevent the board damaged forever by overload, the GND pins (CON1: pin 1/20, CON2: pin 1/20) all must be connected with GND of External Power.

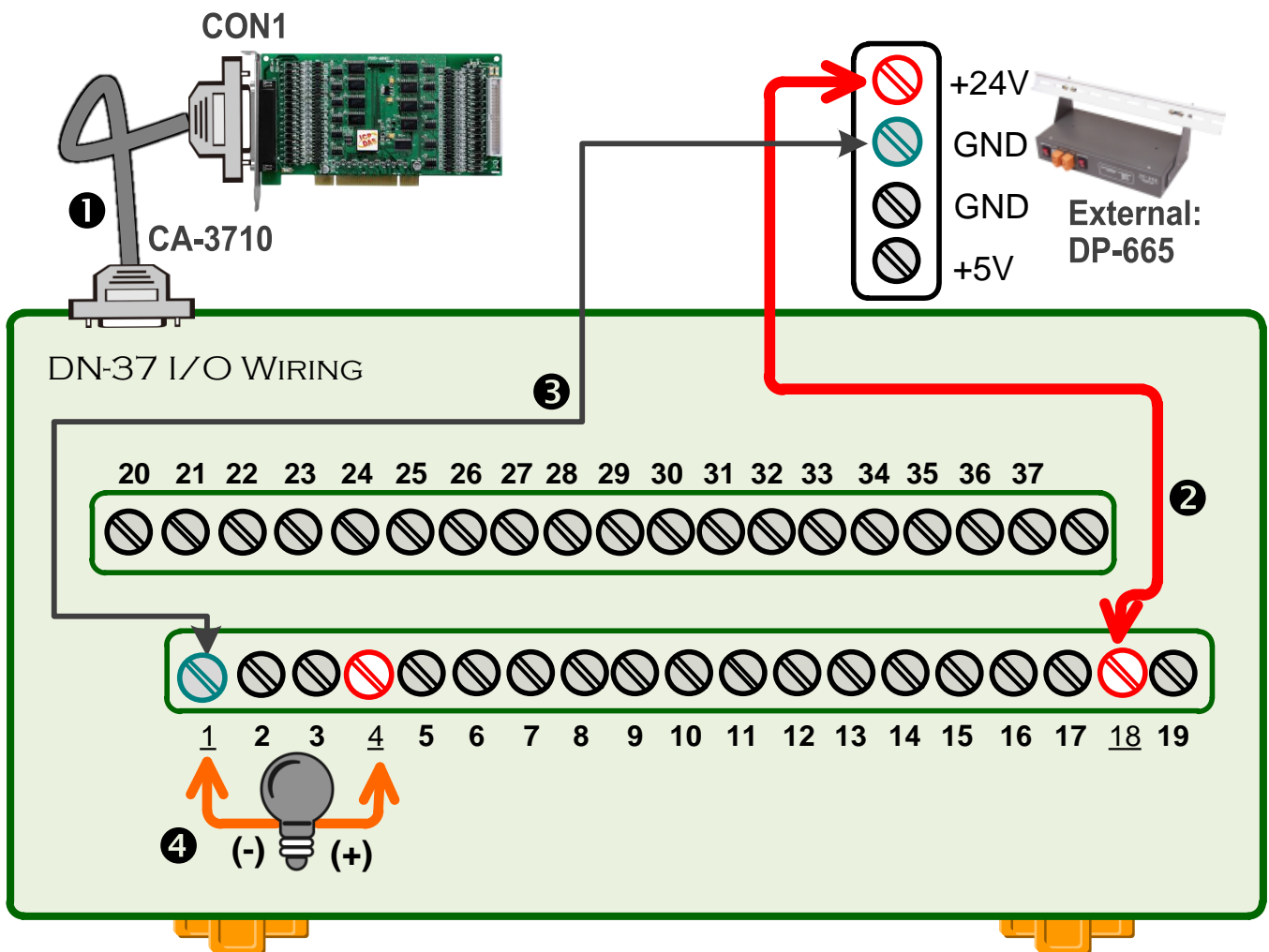
---

# 6 Digital Output Wiring

## Prepare for device:

- ☑ CA-3710 Cable (optional).
- ☑ DN-37 wiring terminal board (optional).
- ☑ Exterior power supply device. For example: DP-665 (optional).

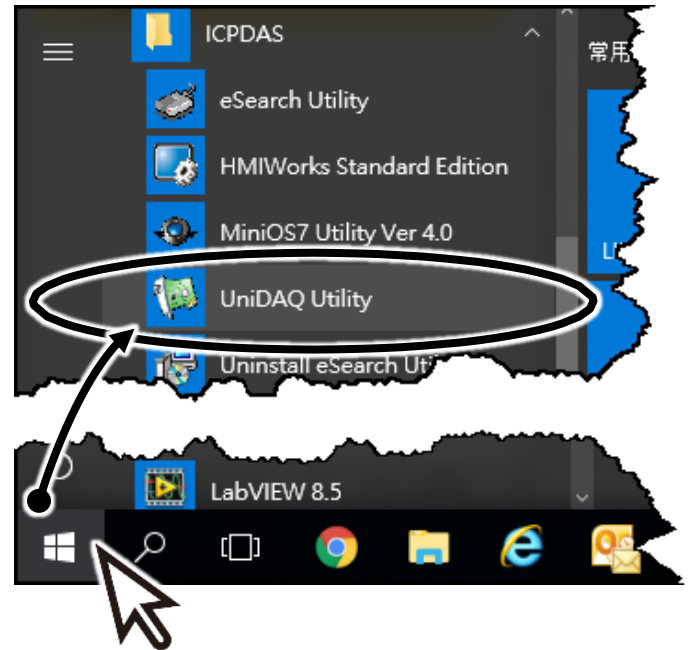
- 1) Use the CA-3710 cable to connect the CON1 on board to the DN-37.
- 2) External Power +24V connect to Ext.PWR0 (Pin 18).
- 3) External Power GND connect to Ext.GND0 (Pin 1).
- 4) Use output LED to connect the Ext.GND0 (Pin 1) and DO2 (Pin 4).



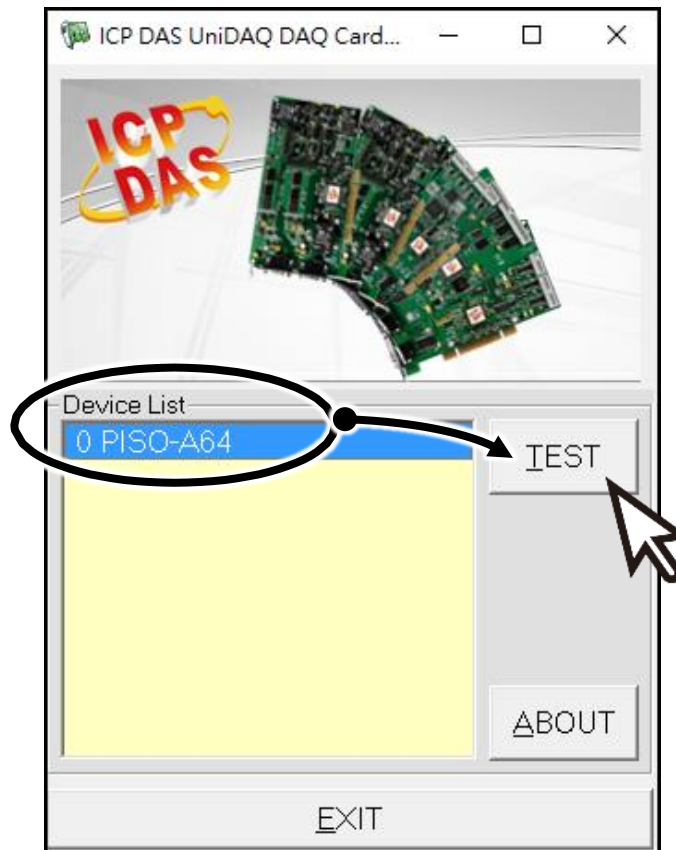


# 7 Self-Test

- 1) In Windows 10, click “**Start**” button  
→ click “**ICPDAS**” folder  
→ click “**UniDAQ Utility**” to execute the UniDAQ Utility program.



- 2) Confirm that PISO-A64 Series card has been successfully installed in the host system. **Note that the device number starts from 0.**
- 3) Click “**TEST**” to start the test.



#### 4) Get DO function test result.

1. Click “Digital Output” page
2. Select “Port 0”
3. Click the channel 2 (DO2)
4. Check the specified LED (described in an above Section 6-4) should be ON.

0 PISO-A64 (CARD ID:0)

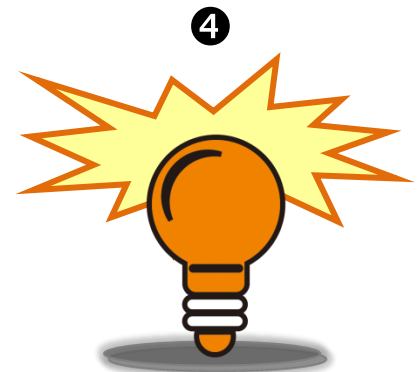
Analog Input Analog Output Digital Input **Digital Output** Timer/Counter MISC.

7 6 5 4 **3** 2 1 0

ON(1)  
OFF(0)

Port Number 0 HEX 04

Port0: DO0~7      Port4: DO32~39  
Port1: DO8~15     Port5: DO40~47  
Port2: DO16~23    Port6: DO48~55  
Port3: DO24~31    Port7: DO56~63



## Related Information

- PISO-A64U Product Page:  
[http://www.icpdas.com/root/product/solutions/pc\\_based\\_io\\_board/pci/piso-a64.html](http://www.icpdas.com/root/product/solutions/pc_based_io_board/pci/piso-a64.html)
- Documentation & Software:  
CD: \NAPDOS\PC\Piso-dio\  
<http://ftp.icpdas.com/pub/cd/iocard/pci/napdos/pci/piso-dio/>
- DN-37/CA-3710 and DP-665 Product Page (optional):  
[http://www.icpdas.com/products/DAQ/screw\\_terminal/dn\\_37.htm](http://www.icpdas.com/products/DAQ/screw_terminal/dn_37.htm)  
[http://www.icpdas.com/products/Accessories/power\\_supply/dp-665.htm](http://www.icpdas.com/products/Accessories/power_supply/dp-665.htm)  
[http://www.icpdas.com/products/Accessories/cable/cable\\_selection.htm](http://www.icpdas.com/products/Accessories/cable/cable_selection.htm)