



## iSN-701-BALT-F15-L030

1-Axis accelerometer

### Features

- IEPE accelerometer
- Homotaxial design
- Measuring range is  $\pm 80g$
- Frequency response ranges from 0.5Hz to 15kHz



### Introduction

iSN-701-BALT-F15-L030 is a high sensitivity accelerometer, and it is also a homotaxial IEPE accelerometer. This sensor is designed primarily for vibration analysis applications.

### System Specifications

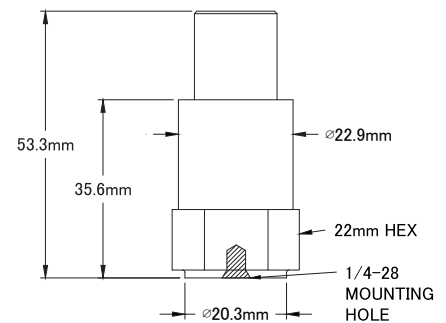
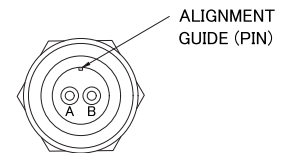
| Model                        | iSN-701-BALT-F15-L030           |
|------------------------------|---------------------------------|
| <b>Vibration Measurement</b> |                                 |
| Sensor Type                  | 1-Axis(IEPE)                    |
| Range                        | $\pm 80g$                       |
| Sampling Rate                | 0.5Hz~15kHz                     |
| Sensitivity                  | 100mV/g                         |
| Bais Voltage                 | 10~14VDC                        |
| <b>Power</b>                 |                                 |
| Input Range                  | 18~30VDC,<br>2~10mA             |
| <b>Mechanical</b>            |                                 |
| Dimensions (W x L x H)       | $\varnothing 22.9$ mm x 53.3 mm |
| <b>Cable</b>                 |                                 |
| Length                       | 3m                              |

### Dimensions (Units: mm)

#### iSN-701-BALT-F15-L030

#### 2 Pin Connector

| Connector Pin | Polarity        |
|---------------|-----------------|
| A             | (+)Signal/Power |
| B             | (-)Common       |




### Ordering Information

|                                 |  |
|---------------------------------|--|
| <b>iSN-701-BALT-F15-L030 CR</b> | 1-axis accelerometer, Range 80g, Sensitivity 100mV/g, Frequency 15 kHz, includes 300 cm cable (RoHS) |
|---------------------------------|--|

### Related Products

|                   |  |
|-------------------|--|
| <b>SG-3227 CR</b> | 2-channel IEPE Input Signal Conditioner (RoHS) |
|-------------------|--|

### Accessories

|   |  |
|---|--|
|  <b>iSN-701-BALT-Mbase01</b> | Magnetic Base for iSN-701-BALT series (RoHS) |
|---|--|