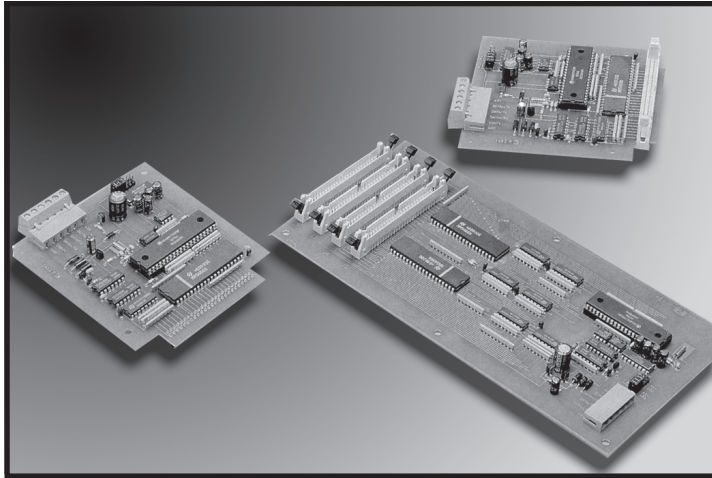


SCM9B-H1750/H1770

24- and 64-Channel Digital I/O Boards



Description

The SCM9B-H1750/H1770 digital I/O interface is designed to expand the remote I/O capability of the SCM9B-1700 series of modules. Commands are communicated over RS-232 or RS-485 links from any standard serial I/O port of computers or modems. The command set for the H1700 series boards is identical to the 1700 series modules.

The H1750 is designed to interface directly to either a 16- or 24-channel industry-standard solid-state relay rack (Dataforth part numbers SCMD-PB16 or SCMD-PB24). The H1770 will connect to a maximum of four 16-channel racks (SCMD-PB16). As with the SCM9B modules, up to 124 boards can be multidropped using RS-485 communications and SCM9B-A1000 repeaters.

The I/O channels may be configured to be inputs or outputs in any combination designated by the user. The input/output configuration may be changed at any time through the communications port. The I/O assignments are saved in nonvolatile memory and are automatically loaded when the unit is powered up. All boards are supplied with screw terminal plugs or ribbon connectors and captive mounting hardware.

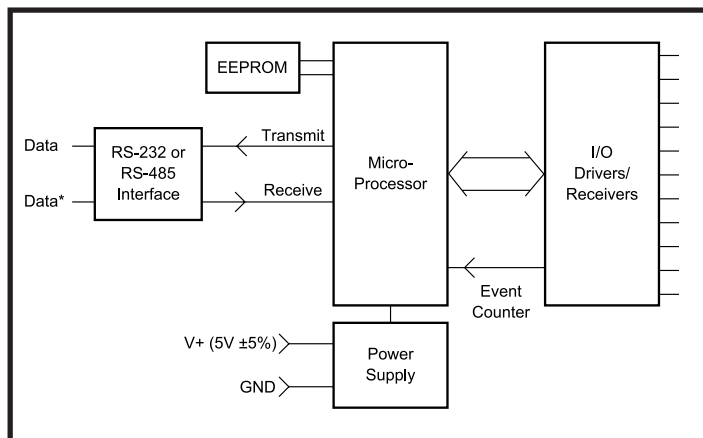


Figure 1: SCM9B-H1750/H1770 Block Diagram

► Features

- Computer Monitoring and Control of Standard Digital I/O Modules via RS-232 or RS-485
- Digital Inputs and Outputs Interface with Solid State Relays to Sense AC and DC Voltages
- Controls Digital Inputs and Outputs Individually
- User Can Define Any Bit as Input or Output
- 24- and 64-Channel Versions
- Expands up to 7936 Digital I/O Channels (124 Multidropped 64-Channel Boards)
- Read or Set 7936 Inputs or Outputs in Less Than 1s
- Mounts in 19" Racks
- Compatible with All SCM9B Products
- Same Command Set as 1700 Series Modules
- CE Compliant

Specifications Typical at 25°C and nominal power supply unless otherwise noted

H1750: 24 digital inputs and digital outputs
H1770: 64 digital inputs and digital outputs

- Input voltage levels: 0-10V without damage
- Input switching levels: High, 3.5V min., Low, 1.0V max.
- Outputs: 0-10V, 15mA max. load
- Power requirements: +5VDC ±0.25V at 30mA max. (not including I/O module requirements)
- User selectable RS-232/RS-485 communications

Digital

- 8-bit CMOS microcomputer
- Nonvolatile memory storage for start up values — eliminates software initialization

Mechanical

H1750: 4.00" x 4.60"
 H1770: 5.00" x 10.00"

Ordering Information

Model	Description
SCM9B-H1750	24 Digital Inputs/Outputs
SCM9B-H1770	64 Digital Inputs/Outputs
SCM9B-HCA1	4 Ribbon Connector Assembly