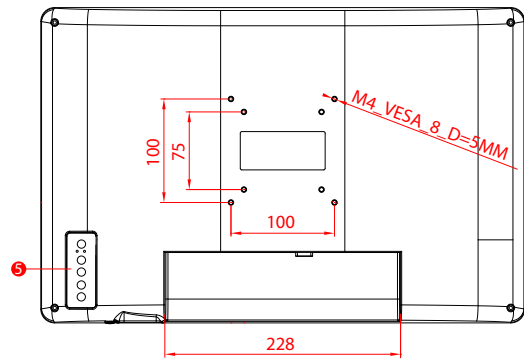
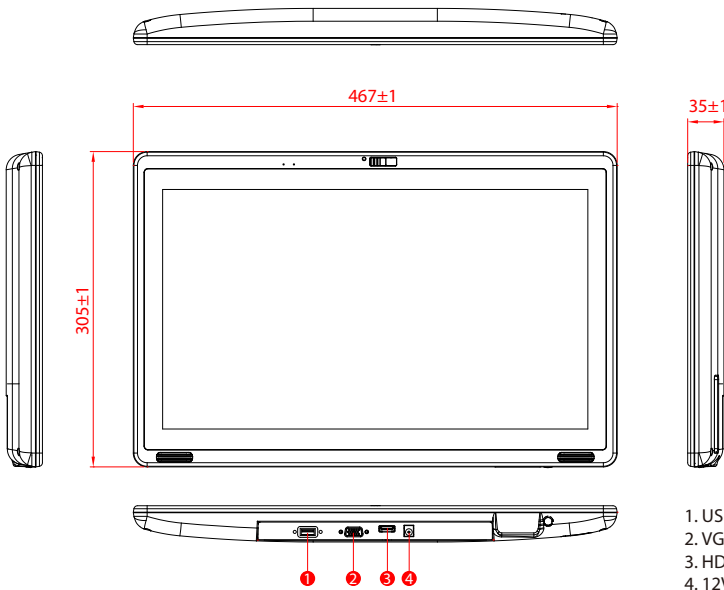


# 18.5" P-Cap Chassis Display - W18L100-PTA2(HB)

## Features

- 18.5" 1366 x 768 Resolution with P-Cap Multitouch
- VGA input and HDMI input
- Stylish and elegant design
- A true flat, easy-to-clean front surface with edge-to-edge design



1. USB for Touch
2. VGA
3. HDMI
4. 12V DC (Power Jack)
5. 5 Key OSD Buttons

UNIT:mm

\* Note: this is a simplified drawing and some components are not marked in detail. Please contact our sales representative if you need further product information.

## Specifications

### Display Spec :

- Size/Type : 18.5" TFT
- Resolutions : 1366 x 768
- Brightness : 250cd/m<sup>2</sup> (typ.)  
(Optional 800cd/m<sup>2</sup> High Brightness Panel)
- Contrast Ratio : 1000 : 1 (typ.)
- Viewing Angle : -85~85(H); -80~80(V)
- Max Colors : 16.7M
- Touch : Projected Capacitive Touch (Default)  
Protection Glass (Non-touch)(Optional)

### Power Specification :

- Power Input : 12V DC 2.5mm, Power Jack
- Power Consumption : 30W typical, normal operation

### Environment Considerations :

- Operating Temperature : 0 °C to 50 °C
- IP Rating : Front IP65

### Input Specifications :

- Input Ports : 1 x VGA  
1 x HDMI  
1 x USB For touch
- OSD Membrane : Buttons at the back side
- Speaker : 2 x 1 Watt speaker (Optional)

### Mechanical Specification :

- Mounting : VESA Mount (75 x 75, 100 x 100mm)
- Dimensions (W x H x D) : 467 x 305 x 35 (mm)
- Appearance : White Plastic Housing

### Product Accessories :

- Standard Accessories : 12V DC in Adapter  
VGA cable  
USB cable for touch

