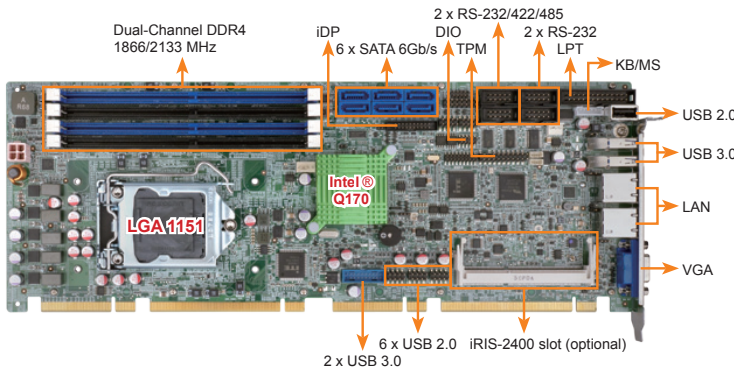


PCIE-Q170

Full-size PICMG 1.3 CPU Card supports LGA1151 Intel® Core™ i7/i5/i3/Pentium®/ Celeron® CPU per Intel® Q170, DDR4, VGA/IDP, Dual Intel® PCIe GbE, USB 3.0, SATA 6Gb/s, PCIe mini, mSATA, HD Audio, Intel® AMT, iRIS-2400 and RoHS

New



Four 288-pin DDR4 SDRAM Supported



First four pieces of 288-pin 1866/2133MHz dual-channel DDR4 SDRAM non-ECC unbuffered DIMM (system max.64GB) support in IEI full-size server grade CPU card



RAID 0, 1, 5, 10 function compatible with six ports of SATA 6Gb/s

Specifications

- ◆ CPU
LGA 1151 Intel® Core™ i7/i5/i3/Pentium®/Celeron® processor supported
- ◆ PCH
Intel® Q170
- ◆ Memory
Four 288-pin 1867/2133MHz Dual-Channel DDR4 SDRAM unbuffered DIMM supported up to 64GB
- ◆ BIOS
UEFI BIOS
- ◆ Graphic Engine
Intel® HD Graphics Gen 9 supports DX11/12, OpenCL 2.x and OpenGL 4.3/4.4 Decode/Encode for HEVC, VP8, VP9, VDENC Supports dual independent display
One VGA (via Chrontel CH7517A, up to 1920x1200@60 Hz)
One iDP interface for HDMI, LVDS, VGA, DVI and DisplayPort (up to 3840x2160@60 Hz)
- ◆ Ethernet
LAN1: Intel® I219LM Clarkville-V with Intel® AMT 11.0 supported
LAN2: Intel® I210 PCIe controller
- ◆ Super I/O
Fintek F81866
- ◆ EC
iWDD
- ◆ External I/O
2 x USB 3.0
2 x RJ-45
1 x VGA
- ◆ Internal I/O
1 x 6-pin wafer for KB/MS 2 x RS-232
1 x iDP 2 x RS-232/422/485
1 x LPT 2 x USB 3.0 (19-pin box header)
6 x SATA 3.0 (6Gb/s) (Q170 supports RAID 0, 1, 5, 10)
7 x USB 2.0 (1 type A 180°, 6 by pin header)
- ◆ Front Panel
1 x Front Panel (Power LED, HDD LED, Speaker, Power Button, Reset Button)
- ◆ LAN LED
2 x 2 Pin for LAN1 LED, LAN2 LED (Active)
- ◆ Audio
Support 7.1 channel HD audio by IEI AC-KIT-892HD kit
- ◆ TPM
2 x 10-pin pin header
- ◆ SMBus
1 x 4-pin wafer
- ◆ PC
1 x 4-pin wafer
- ◆ iRIS Remote Management Module
1 x iRIS-2400 slot (optional)
- ◆ Expansion
16-lane PCIe link from CPU via golden finger:
Supports one PCIe x16, or two PCIe x8, or one PCIe x8 + two PCIe x4 on the backplane (configured via BIOS)
4-lane PCIe link from PCH via golden finger:
Supports four PCIe x1 slots or one PCIe x4 slot on the backplane (configured via BIOS switch)
One PCIe Mini
Four PCI signal via golden finger
- ◆ Watchdog Timer: Software programmable support 1~255 sec. system reset
- ◆ Digital I/O: 8-bit digital I/O
- ◆ Fan Connector
1 x 4-pin smart fan connector (CPU fan)
1 x 3-pin smart fan connector (system fan)
- ◆ Power Supply: 5V/12V, AT/ATX support
- ◆ Power Consumption
5V@3.12A, 12V@6.85A, 3.3V@1.13A, 5VSB@0.15A
(Intel® Core™ i7-6700K 4.0GHz CPU with 64GB (16GB x 4) 2133 MHz DDR4 memory)
- ◆ Operating Temperature: -20°C ~ 60°C
- ◆ Operating Humidity: 5% ~ 95%, non-condensing
- ◆ Dimensions: 338 mm x 126 mm
- ◆ Weight: GW: 1000g / NW: 420g



Features

- PICMG 1.3 full-size CPU Card
- LGA 1151 Intel® Core™ i7/i5/i3/Pentium®/Celeron® processor supported
- Four 288-pin DDR4 UDIMM 1867/2133MHz Dual-Channel supports up to 64GB
- Supports dual independent display by VGA & internal DP pin header
- Supports mini-PCIe device & mSATA via mini-PCIe socket
- Intel® PCIe GbE with Intel® AMT 11.0 supported
- Supports RAID 0, 1, 5, 10 function via SATA 6Gb/s
- TPM 1.2 & 2.0 hardware security function supported by TPM module

Packing List

1 x PCIE-Q170 single board computer	
1 x SATA cable (P/N: 32000-0628000-RS)	1 x QIG (Quick Installation Guide)
1 x Mini jumper pack	1 x Utility CD

Ordering Information

Part No.	Description
PCIE-Q170-R10	Full-size PICMG 1.3 CPU Card supports LGA1151 Intel® Core™ i7/i5/i3/Pentium®/Celeron® CPU per Intel® Q170, DDR4, VGA/IDP, Dual Intel® PCIe GbE, USB 3.0, SATA 6Gb/s, PCIe mini, mSATA, HD Audio, iAMT and RoHS
PCIE-Q170-i2-R10**	Full-size PICMG 1.3 CPU Card supports LGA1151 Intel® Core™ i7/i5/i3/Pentium®/Celeron® CPU per Intel® Q170, DDR4, VGA/IDP, Dual Intel® PCIe GbE, USB 3.0, SATA 6Gb/s, PCIe mini, mSATA, HD Audio, iAMT, iRIS-2400 and RoHS
19800-00075-RS	KB/MS cable with bracket
32102-000100-200-RS	SATA power cable
32200-015100-RS	LPT Cable
AC-KIT-892HD-R10	7.1 channel HD Audio kit with Realtek ALC892 support dual audio streams
CF-1150SA-R10	Special cooler kit for LGA1150, High-performance compatible, 95W
CF-1150SB-R11	Special cooler kit for LGA1150, High-performance compatible, 65W
CF-1150SC-R20	Special cooler kit for LGA1150, 1U chassis compatible, 65W
CF-1150SE-R11	Special cooler kit for LGA1150, 1U chassis compatible, 95W
CF-1150SF-R10	Special cooler kit for LGA1150, 1U chassis compatible, 54W
DP-DP-R10	DisplayPort to DisplayPort converter board (for iEi IDP connector)
DP-DVI-R10	DisplayPort to DVI-D converter board (for iEi IDP connector)
DP-HDMI-R10	DisplayPort to HDMI converter board (for iEi IDP connector)
DP-LVDS-R10	DisplayPort to LVDS converter board (for iEi IDP connector)
DP-VGA-R10	DisplayPort to VGA converter board (for iEi IDP connector)
SAIDE-KIT01-R10	SATA to IDE/CF Converter board

**By order production, MOQ: 100