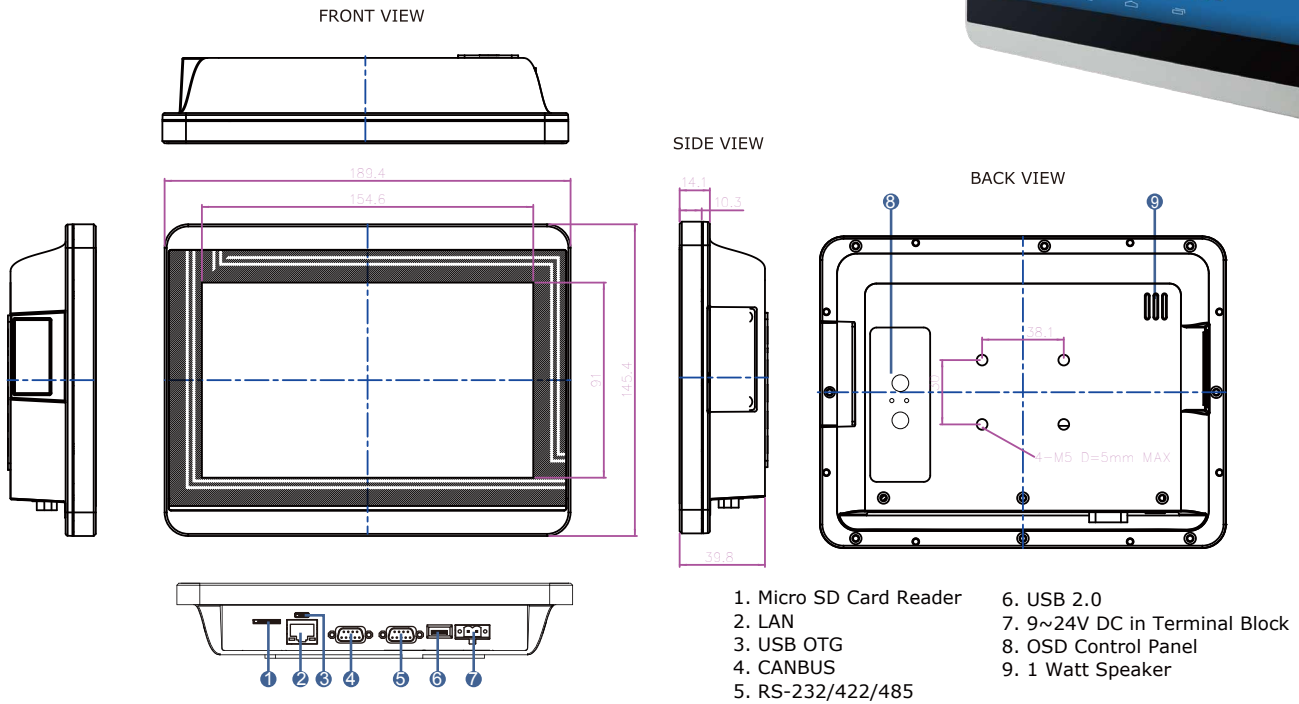


7" GC65 Panel PC (Standard I/O) -W07FA3S-GCM1(HB)

Features

- 7" 1024 x 600 with P-CAP touchscreen
- Low power consumption with Freescale® Cortex® A9
- Fanless cooling system and ultra low power consumption
- Front IP65 for protection against water and dust
- A true flat, easy-to-clean front surface with edge-to-edge design
- Plenty of I/O, including 1 x LAN, 1 x RS232, 1 x USB 2.0, 1 x USB OTG, 1 X CANBUS



Specifications

System

- Processor : Freescale Cortex A9 i.MX6 Dual Core GHz
- System Memory : 1GB LPDDR3
- Storage : Onboard 16GB eMMC(default) /Micro SD card

Input / Output

- Serial Ports : 1 x RS-232/422/485 , 1 X CANbus
- USB Ports : 1 x USB 2.0, 1 x USB OTG
- Ethernet : 1 x RJ 45-10/100/1000 Mbps (LAN)
- Speaker : 1 x 1 Watt speaker
- SD Card : 1 x Micro SD Card Reader

Environment

- Operating Temperature : -10 °C to 55 °C
- Operating Humidity : 10% to 95% (non-condensing)
- IP Rating : Full IP65
- Shock Operating : 30g for 18ms, 300m/s²
- Vibration Operating : 1.60/1.96/2.18 g rms for XYZ/ 5-500Hz

Power Considerations

- Power Input : 9~24V DC in

Display

- Size/Type : 7" TFT (widescreen)
- Resolution : 1024 x 600
- Brightness : 500 cd/m (typ.)
- Contrast Ratio : 700:1 (typ.)
- Viewing Angle : -75~75 (H); -70~75 (V)
- Max Colors : 262K (6 bit)
- Active Display Area : 153.6 (H) x 90 (V)

Mechanical Specification

- Cooling System : Fanless design
- Mounting : RAM Mount, Panel Mount (Optional VESA 75 x 75 mm)
- Dimensions (W x H x D) : 189.4 x 145.4 x 34.3 (mm)

Operating System

- Android 4.4 (Default)