

# CVP1560P-8TLX

## 15.6" Industrial CuphView Panel PC with Intel 11th Gen CPU



### Specifications

#### Display

- LED Size: 15.6"
- Resolution: 1366 x 768
- Brightness: 220 cd/m<sup>2</sup> (optional: 1000 cd/ m<sup>2</sup>)

#### Touch Screen

- PCAP 10-point

#### CPU/SoC

- Intel® 11th Gen Core i5-1135G7 CPU  
Up to 4.2GHz, Up to 28W TDP

#### Chipset

- Intel Tiger Lake SoC

#### Memory

- 2x 260-pin SO-DIMM sockets
- Supports up to 64GB DDR4 3200 unbuffered, Non-ECC

#### Graphic

- Integrated in CPU Intel® Iris Xe  
Support DirectX 12.1, OpenGL 4.6, OpenCL 3.0
- Video ports: 2x HDMI
- HDMI: resolution up to 4096x2304 @ 60Hz

#### Ethernet

- 2x Gigabit Ethernet Controller

#### Audio

- Optional: 2x Internal Speakers

#### Storage / Drive Bays / Slots

- 1x 2280 M.2 Key M (SATA or PCIe x4 NVMe) Slot (Default as SATA)
- 1x 2230 M.2 Key E Slot, Support Wifi + BT
- 1x SATA 3.0 (Optional: 2.5" SSD Bracket)

#### Expansion Slots

- 1x Mini-PCIe Full-size (Support Wifi + 3G/4G, with 1x Nano-SIM) Slot

#### I/O Ports

- 2x HDMI, 2x RJ45 LAN
- 6x USB 3.0, 1x RS232, 1x RS232/485
- 1x Mic-in, 1x Line-out

#### Other Internal Connectors

- 1x 8-bit GPIO header, TPM 2.0

#### Power Input

- Power input: 12V DC, Power jack connector
- Optional: 9-36V DC Wide Range, Terminal Block connector

#### Mechanical / Cooling

- Fanless cooling
- IP front protection: IP67
- Mounting: Wall mount VESA 75x75 mm

#### Dimensions

- Dimension (W x H x D mm): 396,8 x 247,1 x 42 mm

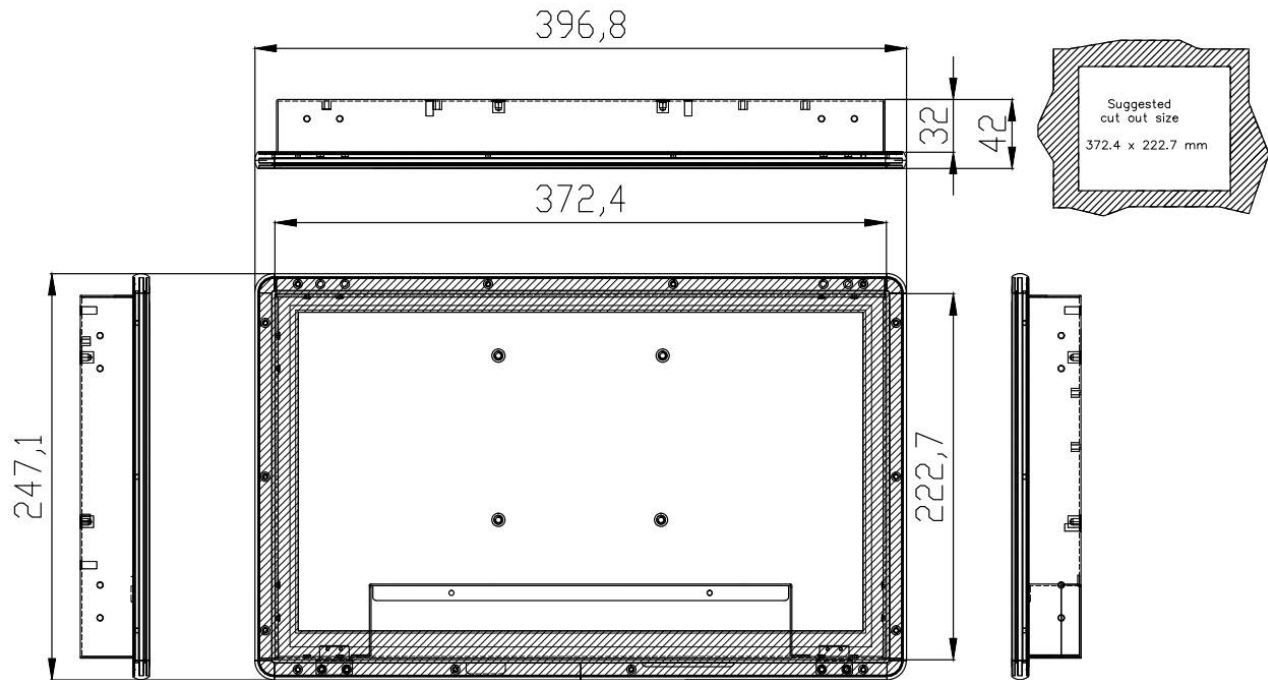
#### System & Environment

- Operating temperature: 0°C to 60°C
- Storage temperature: -20°C to 70°C
- Relative Humidity: 5% to 95% (Non-condensing)

#### Operating System Support

- Windows 10 Pro / 10 IoT LTSC / Windows 11

## Dimension



## Optional

- M.2 WiFi Module
- External power adapter
- 2.5" SSD/HDD mounting bracket

## Ordering Information

CVP1560P-8TLD	15.6" Touch Panel PC, Intel 11th Gen CPU, up to 64GB DDR4, 2xGbit LAN, 6xUSB 3.0, 2xCOM, 12V DC-In Lockable Jack
CVP1560P-8TLW	15.6" Touch Panel PC, Intel 11th Gen CPU, up to 64GB DDR4, 2xGbit LAN, 6xUSB 3.0, 2xCOM, 9-36V DC-In Wide Range Terminal Block