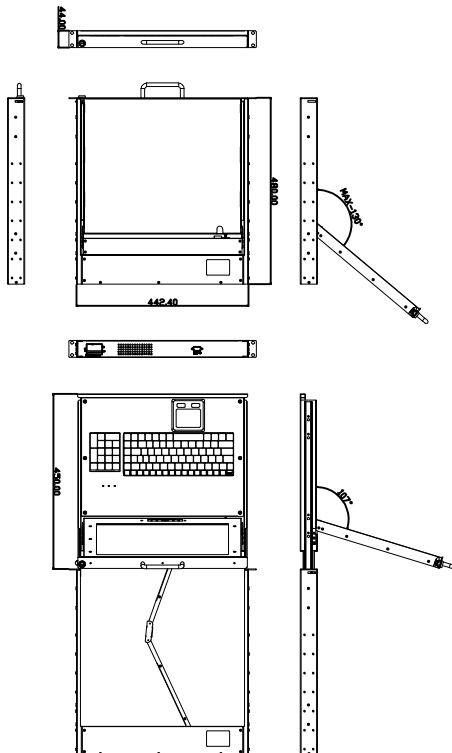




Features

- 1U, Single Rail, built-in A-grade 17" or 19" TFT LCD
- Built-in LCD Monitor, keyboard and touchpad
- USB or PS2 interface for connecting to PC ports
- Includes a key-locking mechanism to prevent unauthorized access
- 104-key industrial keyboard with touch pad
- Provides up to 130-degree monitor rotation for viewing flexibility
- Built-in rail self-locking device
- Tempered glass protect LCD screen



Specification

Model No	AMK801-17	AMK801-19
Ports switch	VGA D-Sub 15 pin, USB or PS/2 keyboard Mouse	
Drawer Design	1U, Single Slide Rail self-locking device	
Weight	12 kgs	
Dimension	442.4 x 44 x 480 mm (W x H x D)	
Power Supply	Built-in 60W, 90~264VAC, Operating Temp: -20~70°C	
Construction	Heavy-duty steel	
Keyboard	104-key industrial keyboard with touchpad Option KB: CH, FR, GR, KR, RU, SP, UK, US	
Protection	Tempered glass protect LCD screen	
Physical Security	Key locking Mechanism	
Power Consumption	3 watts stand-by, 25 watts in-use	
Temperature	Operation: 0 ~ 50°C Storage: -20 ~ 60°C	
Approvals	CE, FCC class A, RoHS	

LCD Display

Size	17"	19"
Resolution	1280 x 1024	1280 x 1024
Contrast Ratio	1000 : 1	1000 : 1
Viewing angle	170(H)/160(V)	170(H)/160(V)
Display Colors	16.7M	

Ordering Information

AMK801-17PBUS

1U, 17" LCD keyboard drawer, PS2 KB/MS with 1.8m KVM cable

AMK801-17UBUS

1U, 17" LCD keyboard drawer, USB KB/MS with 1.8m KVM cable

AMK801-19PBUS

1U, 19" LCD keyboard drawer, PS2 KB/MS with 1.8m KVM cable

AMK801-19UBUS

1U, 19" LCD keyboard drawer, USB KB/MS with 1.8m KVM cable

Option

- USB or PS2 port
- 80W, 24~ 48VDC Power Supply
- Beige RAL7035 Color
- Touch Screen
- 1.8m, 3.0m, 5.0m KVM cable
- Keyboard layout: CH, FR, GR, KR, RU, SP, UK, US



USB KVM Cable



PS2 KVM Cable