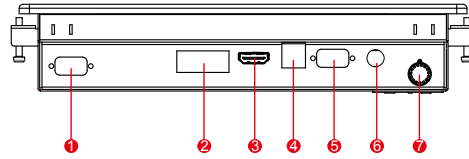


# R10IB3S-PPT2 10.4" P-CAP Panel PC (Intel® Celeron® Bay Trial-M N2930, 1.83GHz)

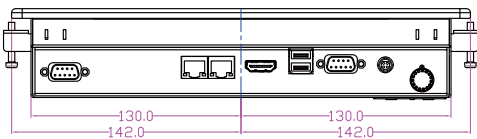
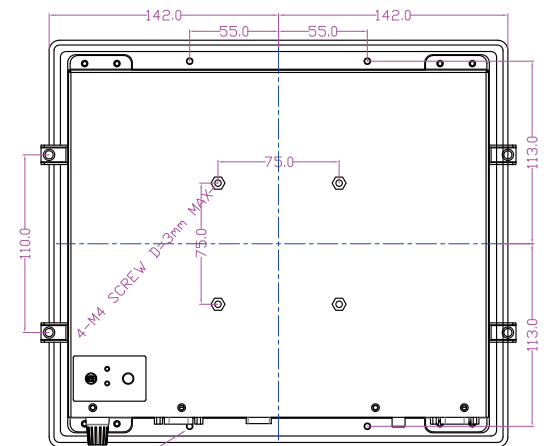
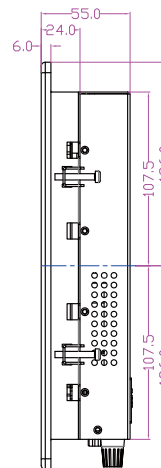
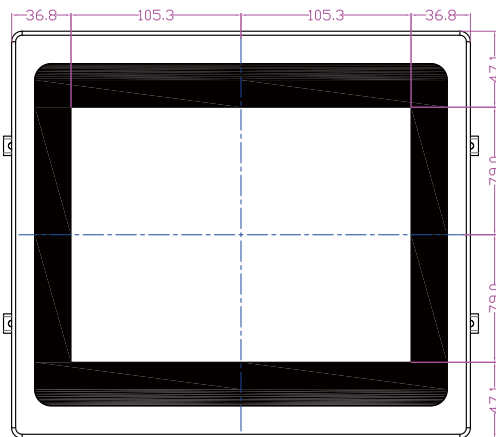
Mechanical Design



**Real Flat Panel Mount  
(IP65 front side)**



1. RS232
2. RJ - 45 (LAN) x 2
3. HDMI
4. USB x 2
5. RS232 / 422 / 485
6. 12V DC in
7. Brightness Adjustment Knob



CUT OUT DIMENSION(262x218mm)

## Specifications

### System:

- Processor : Intel® Celeron® Bay Trial-M N2930, 1.83GHz
- System Chipset : Intel® Atom SoC Integrated
- SystemMemory : SODIMM DDR3L 1600/1333, max. 8GB
- Storage : mSATA SSD 64GB (Default)
- LAN : Intel I210-AT GbE LAN x 2
- Audio Codec : Realtek ALC886 HD Audio Codec

### Input / Output :

- Serial Ports : 1 x RS232, 1 x RS232/422/485
- USB Ports : 1 x USB 3.0, 1 x USB 2.0
- Ethernet : 2 x RJ45-10/100/1000 Mbps
- HDMI : 1 x HDMI
- Power : 1 x DC-in Power Jack(+12V) • Default: RS232

### Expansion Slot :

- Mini PCIe : 2 x Mini PCIe (1 for WiFi, 1 for 3G Module)

### Power Specifications :

- Power input : 12V DC
- Power Consumption : 35W (typ.)(Max.backlight & high CPU load)

### Accessories :

- External Adapter : 110~240V AC

### Display :

- Size/Type : 10.4" TFT
- Resolutions : 1024x768
- Brightness : 350 cd/m (typ.)
- Contrast Ratio : 1200 : 1 (typ.)
- Viewing Angle : -88~88(H);-88~88(V)
- Max. Colors : 16.2M
- Touch Screen : Projected capacitive multi-touch

### Environment Considerations :

- Operating Temperature : 0°C to 50°C
- Operating Humidity : 30% to 90% (non-condensing)
- IP Rating : Front IP65

### OS BSP / Driver Support :

- OS : Windows 10 IoT Enterprise  
Windows 7 Embedded  
Windows 8 Embedded (Optional)

