



Gladius G1052C

10.4" Intel® Celeron® N2930 Rugged Tablet PC



Features

- 10.4" AFFS+ TFT Active Matrix with Capacitive Touch Panel
- Ultra low power consumption
- Fully rugged for mobile POS or warehousing application
- Meeting MIL-STD-810G, IP54, 4 ft. drop resistance
- High mobility, multiple connectivity (Bluetooth/WLAN/WWAN)
- Identification devices (barcode scanner, RFID/NFC reader and MSR)
- Hot-swappable external battery w/ redundant internal battery
- 23-key keypad with numeric keys and function Keys
- I.P.A. (Isopropyl) alcohol clearing allowed

System

CPU	Intel® Celeron® Processor N2930 quad-core 1.83 GHz
Graphics Controller	Intel® HD Graphics
Memory	2GB DDR3L SO-DIMM memory module installed (optional up to 8GB)
Chipset	Intel® System Controller Hub US15WP
BIOS	UEFI BIOS
Audio	1 x Integrated microphone 1 x Integrated 2W speaker 1 x Earphone jack
Storage	1 x 32GB MLC mSATA SSD

Peripherals and Devices

Camera	5.0 MP rear camera with Auto Focus (optional)
RFID/NFC	Integrated 13.56MHz, ISO 15693/14443A/14443B RFID/NFC Reader (distance: 3~5cm; speed: 5 cards/sec) (optional)
WLAN	Integrated WLAN 802.11 a/b/g/n
Bluetooth	Integrated Bluetooth 4.0 BLE, class 2
WWAN	HSUPA / HSPA+ / LTE (optional)
Barcode Scanner	1 x 1D/2D Barcode scanner (optional)
MSR	Integrated Magnetic Stripe Reader (optional)
Smart Card Reader	Smart Card Reader (optional)
GPS	U-BLOX 6 GPS Receiver (optional)

I/O Interface

USB Port	1 x USB 3.0/2.0 Type-A port
SD Card	1 x SD/SDHC/SDXC slot
Docking Port	1 x 35-pin pogo connector for docking connection
Expansion	1 x USB 2.0 Type-A or USB Sensor Hub

Button & Indicator

Function Key	10 x Numeric keys (0 ~ 9); 1 x Ctrl key; 1 x Enter key; 1 x Backspace; 1 x 4-way navigation key; 1 x Dot (.) key; 4 x Function keys; 1 x Brightness key;
Power Button	1 x Power on/off button
LED Indicator	1 x Battery LED 1 x WLAN/RFID LED 1 x Bluetooth/WWAN LED

Touch Screen

Type	10-Point Projected Capacitive Touch with Corning® Gorilla Glass Projected Capacitive Touch for G1050C
Light Transparency	80% (typ.)
Controller Interface	USB Interface

LCD Display

Size/Type	10.4" XGA TFT color LCD with LED backlight
Max. Resolution	1024 x 768 (XGA) w/ 262,144 colors
Luminance	340 cd/m ² (typ.)
Contrast Ratio	600 :1
View Angle (U/D/R/L)	89°/89°/89°/89°
Backlight Type	LED

Power Supply

Adapter Input	100 ~ 240VAC (Full Range)
Adapter Output	19VDC, 3.42A, 65W
Battery Type	Li-battery pack
Battery Capacity	1 x 1880mAH 3-cell internal battery pack (optional) 1 x 2500mAH 4-cell external battery pack
Battery Life	Up to 8 hours (depends on configuration and use)

Mechanical & Environmental

Operating Temp.	-20 ~ 45°C (-4 ~ 113°F)
Storage Temp.	-20 ~ 60°C (-4 ~ 140°F)
Discharging Temp.	-20 ~ 45°C (-4 ~ 113°F)
Charging Temp.	0 ~ 40°C (32 ~ 104°F)
Operating Humidity	10 ~ 95% @ 45°C (non-condensing)
Dimensions (W x D x H)	205 x 294 x 25 mm (8.07" x 11.57" x 0.98")
Gross Weight	1.2 kg (2.64 lb) w/o 2-cell internal battery pack
Vibration	20 to 1000 Hz @ 1 grms per MIL-STD 810G (operating) 20 to 1000 Hz @ 3 grms per MIL-STD 810G (non-operating)
Shock	11 ms @ 20G per MIL-STD 810G for unit only (operating) 11 ms @ 40G per MIL-STD 810G for unit only (non-operating)
Transit Drop	1.2m (4ft.) per MIL-STD-810G for whole unit
IP Rating	IP54
Regulatory	CE: EN55022 class B FCC 47 CFR, Part 2 and Part 15

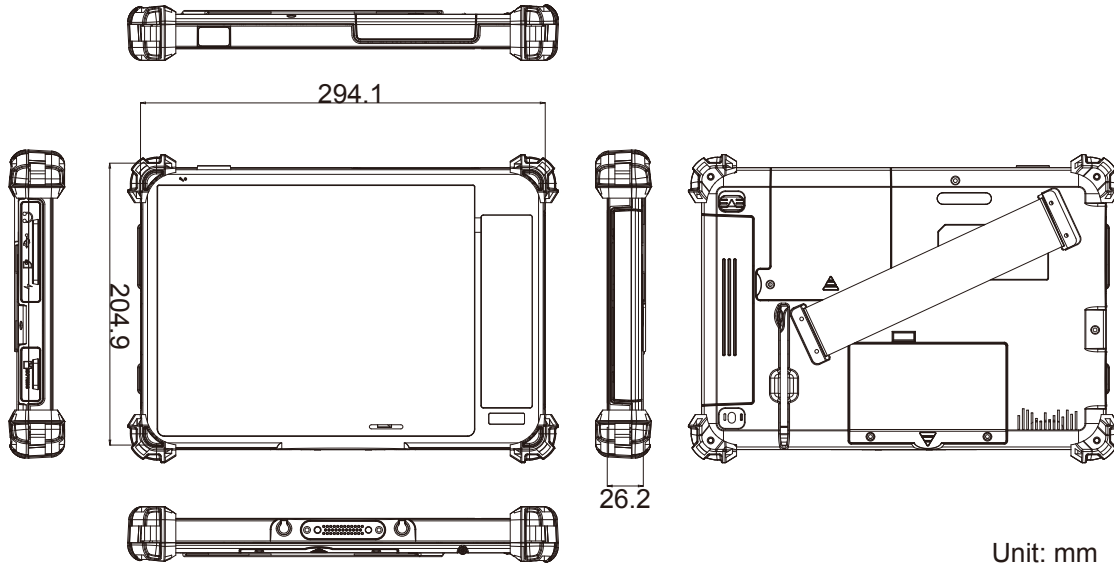
OS Support

Windows Embedded 7 / Windows 7 Professional
Windows 8.1 Embedded / Windows 8.1 Professional

Ordering Information

G1052C	10.4" Intel® Celeron® N2930 rugged tablet PC with projected capacitive touch, battery pack, WLAN and Bluetooth
G1052CS	10.4" Intel® Celeron® N2930 rugged tablet PC with projected capacitive touch, battery pack, WLAN and Bluetooth, and sunlight readable display (800 nits)

Dimensions



Standard Accessories

Power Adapter	19V/3.42A 65W AC/DC Adapter Kit	
Hand Strap	212mm Black Elastic Hand Strap	
eBAT-1050	2500mAh External Battery Pack	

Optional Accessories

Power Adapter	19V/3.42A 65W AC/DC Adapter Kit	
SST-0720	Shoulder Strap, 128 x 3.7cm	
eBAT-1050	2500mAh External Battery Pack	
iBAT-1040	3-Cell 1880mAh Internal Battery kit	
NST-1050	Neck Strap, 120 x 4 x 0.6 cm (G1050 Series Only)	
VSU-100	VESA-75 to VESA-100 Adapter Bracket	
VMB-1050	VESA Mount Bracket for G1050	
DTC-1050	Desktop Cradle for G1050/G1050S (See page 030)	
CHR-1050	Dual-Bay External Battery Charger (See page 030)	

Optional Configuration (CTOS* Kit) (Not Sold Separately)

UDG-1050	USB Dongle Kit	
RFID-1050	13.56MHz RFID Kit	
BarC-1052	1D/2D Barcode Scanner Kit	
HSUPA-1052	3.75G HSUPA Wireless Kit	
GRS-1050	GPS and RS-232 2in1 Kit	
SRS-1050	Smart Card Reader and RS-232 2in1 Kit	
MSR-1050	MSR Module Kit	
RFID/NFC-1050	13.56MHz RFID/NFC Kit	
CAM-1052	5.0M Rear CMOS Camera Kit	

*CTOS means Configure-to-Order Service.

*The GRS, SRS and MSR cannot co-exist on the computer as they occupy the same installation position. Please select any one of them.

All specifications are subject to change without notice.