

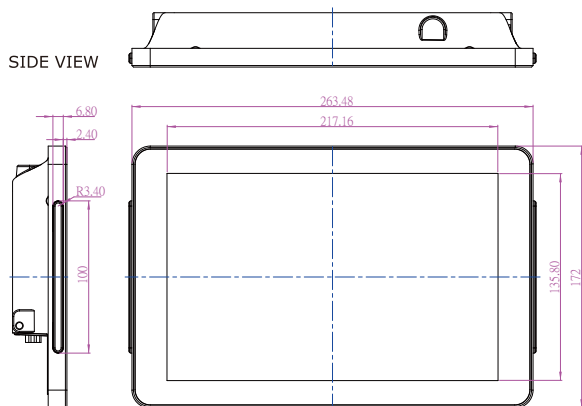
10.1" Flat Panel PC - W10FA3S-PCH2AC

Features

- 10.1" 1280 x 800 Resolution with P-Cap Multi-touch screen
- Freescale Cortex A9 i.MX6 Dual Core 1GHz (Optional for Quad Core)
- Fanless cooling system and Ultra-low power consumption
- 2 x USB; 2 x RS232(optional 422/485); 1 x Micro SD Slot
- Room Booking Schedule, Access Control, Room Information Display
- Front IP65 Water and Dust Proof
- 2 R/G/B Programmable LED Light Bar Indicators
- Built-in RFID NFC / Reader

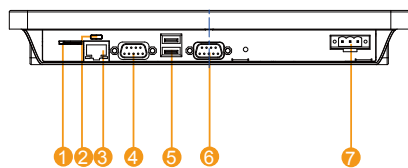
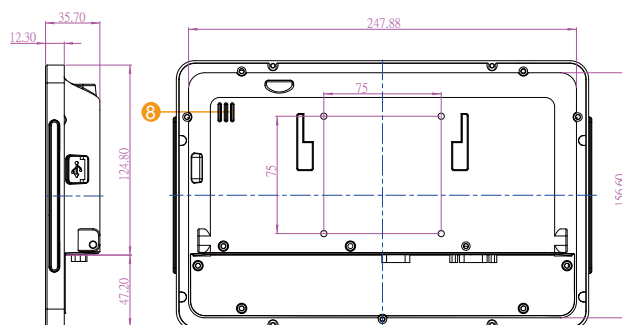


FRONT VIEW



SIDE VIEW

BACK VIEW



1. Micro SD Card Reader
2. USB OTG
3. LAN/PoE
4. RS232 (Optional 422 / 485)
5. USB 2.0
6. RS232 (Optional 422 / 485)
7. 12V DC in
8. Speaker

Specifications

System :

- Processor : Freescale Cortex A9 i.MX6 Dual Core 1GHz (Optional for Quad Core)
- System Memory : 1GB LPDDR3 (Optional 2GB LPDDR3)
- Storage : Onboard 16GB eMMC(default)/mSATA/Micro SD card
- LAN : Dual Broadcom BCM57780 GbE Controller

Input / Output :

- COM port : 2 x RS232 (Optional 422 / 485)
- USB Ports : 2 x USB 2.0 host / 1 x USB OTG
- SD Slot : 1 x Micro SD Card Slot
- Ethernet : 1 x RJ45,10/100/1000 LAN Support PoE function
- Speaker : 1 x 1 Watt Speaker

Display Spec :

- Size/Type : 10.1" TFT (Wide screen)
- Resolutions : 1280x800
- Brightness : 300cd/m (typ.)
- Contrast Ratio : 800 : 1 (typ.)
- Viewing Angle : -89~89(H);-89~89(V)
- Max Colors : 262K(6bit)
- Touch : Projective-Capacitive Touch

Power Specifications :

- Power Input : 12V DC in
Support IEEE 802.3at PoE

Mechanical Specification :

- Cooling System : Fanless design
- Mounting : VESA Mount(75x75mm)
- Dimension (W x H x D) : 263.28 x 171 x 35.7 (mm)

Environment Considerations :

- Operating Temperature : 0 deg.C to 50deg.C
- Operating Humidity : 10% to 90% (non condensing)

OS/BSP Driver Support :

- Operation System : Android 4.4 (Default)
: Linux 3.0.35 QT 4.8.6 (Optional)

RFID / NFC function :

- Contactless protocols : Peer-to-peer,Full ISO 18092(up to 424 Kbits/s)
Reader/writer,ISO 14443-A-B,MIFARE,FeliCa®
NFC Forum tags,ISO 15693

