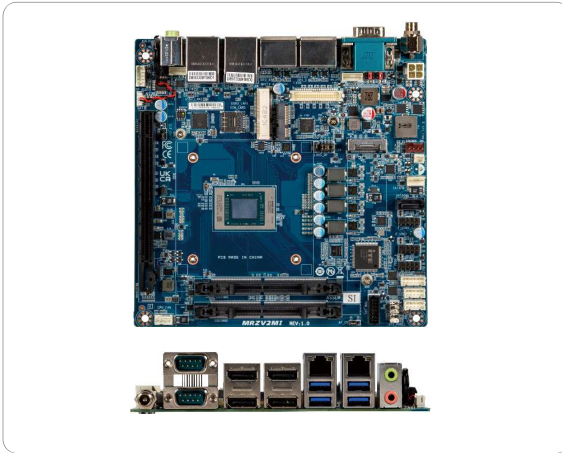


# mITX-2748A (MRZV2MI)

Mini-ITX Embedded Motherboard with AMD Ryzen™ V2748 Embedded Processor, Dual Channel DDR4 memory, PCIe, 4 x COM, 1 x SATA 6Gb/s, 10 x USB



## Specifications

Form Factor	Mini-ITX 170W x 170D (mm)
CPU	AMD Ryzen™ V2748 Embedded Processor 7nm, 8 cores, 16 threads, 2.9 GHz, up to 4.25GHz TDP 45W
Socket	1 x FP6 BGA
Chipset	SoC
Memory	2 x DDR4 SO-DIMM sockets, Max. Capacity 64 GB Support Dual channel DDR4 3200 MHz memory modules
Ethernet	2 x GbE LAN Ports (Realtek® RTL8118-CG)
Video	Integrated Graphics Processor - AMD Radeon(TM) Graphics: 4 x DP ports, supporting a maximum resolution of 4096x2160 @60Hz 1 x LVDS port, supporting a maximum resolution of 1080P (switch from DP)  (4 independent display outputs)
Audio	Realtek® Audio Codec
Storage	1 x SATA 6Gb/s Port
Raid	—
Expansion Slots	1 x PCIe x16 (Gen3 x8) 1 x 2280 M.2 M-Key (PCIe x4, SATA 6Gb/s) 1 x 2230 M.2 E-Key 1 x Full-size mini PCIe with SIM slot
Internal I/O	1 x 4-pin ATX power connector 1 x SATA power connector 1 x CPU fan header 1 x System fan header 1 x Front panel header 1 x Front panel audio header 1 x 2W Speaker out header 6 x USB 2.0 headers 2 x COM headers (RS-232/422/485) 1 x GPIO (8 bits) & SMBus header 1 x Backlight Control header 1 x LVDS/ DP Jumper 1 x AT/ATX mode jumper 1 x ATX Control header 1 x Clear CMOS jumper

## Features

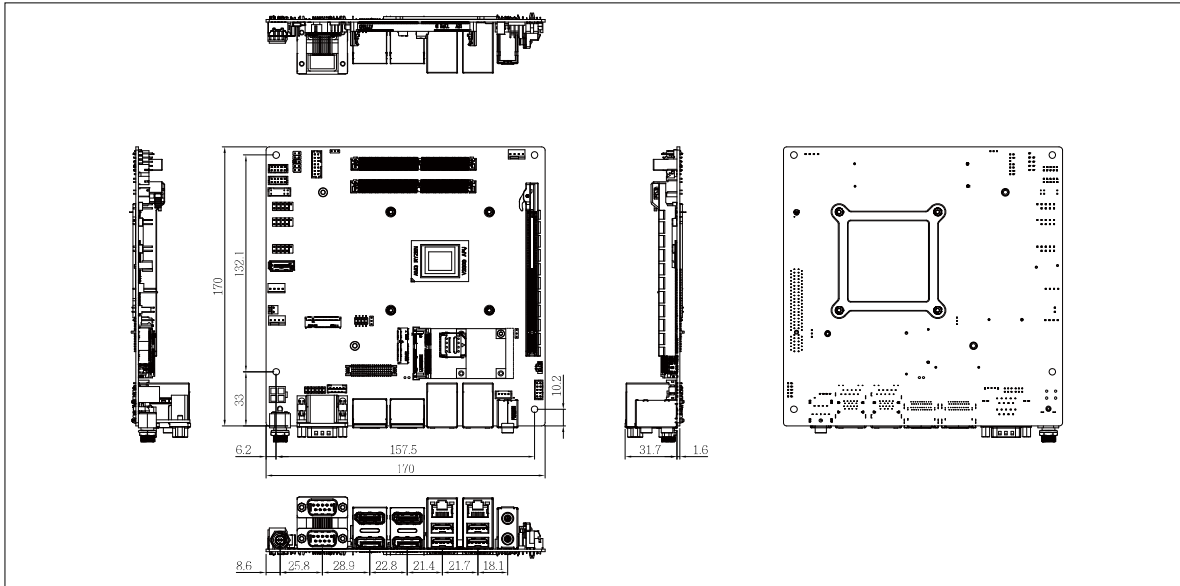
- Mini-ITX form factor
- AMD Ryzen™ V2748 Embedded Processor
- Dual Channel DDR4, 2 x SO-DIMMs
- 2 x GbE LAN Ports
- 1 x SATA 6Gb/s Port
- 4 x DP 1.4, LVDS (Switch from DP) ports for multiple display
- 2 x COM Ports (RS-232/422/485 & RI/5V/12V)
- 2 x COM Ports (RS-232/422/485)

Rear I/O	2 x Audio Jacks (Line out, Mic in) 2 x COM Ports (RS-232/422/485 & RI/5V/12V) 4 x Display Ports 2 x RJ45 LAN Ports 4 x USB 3.2 Gen 1 1 x DC Jack (+12V~24VDC)
TPM	1 x TPM header
OS Compatibility	Windows 10 (x64)
Operating Properties	Operating temperature: 0°C to 60°C Operating humidity: 0-90% (non-condensing) Non-operating temperature: -40°C to 85°C Non-operating humidity: 0%-95% (non-condensing)
Packing Content	Carton size: 556 x 476 x 244 (mm) Packing Capacity: 10pcs  Single Box size: 206 x 223 x 105 (mm)  Including: IO Shield x 1 (P/N: 12AIO-MRZNV1-00R) SATA power Cable x 1 (P/N: 25CRI-200B02-K1R) Fansink x 1 (P/N: 25ST0-0Z7820-Y0R)
Order Information	9MRZV2MIMR-SI (Box packing)

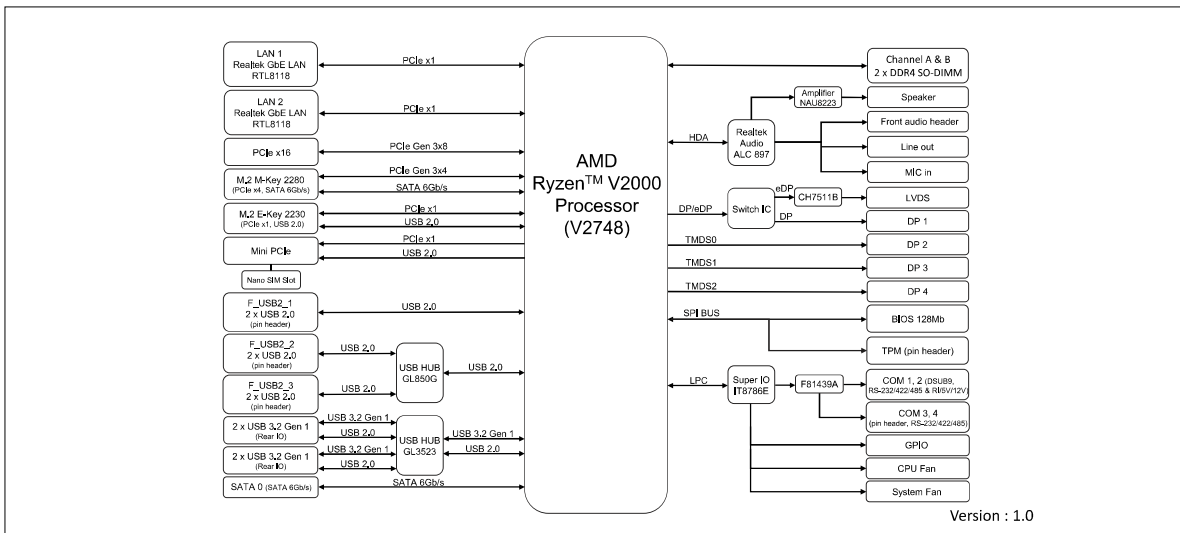
GIGAIPC reserves the right to modify or change technical data without prior notice.

Dimension (Unit: mm)

2023/04/27



## Block Diagram



## Optional Kit

Part No.	Description	Quantity
9CTM000NR-00	TPM 2.0 module	1

GIGAIPC reserves the right to modify or change technical data without prior notice.